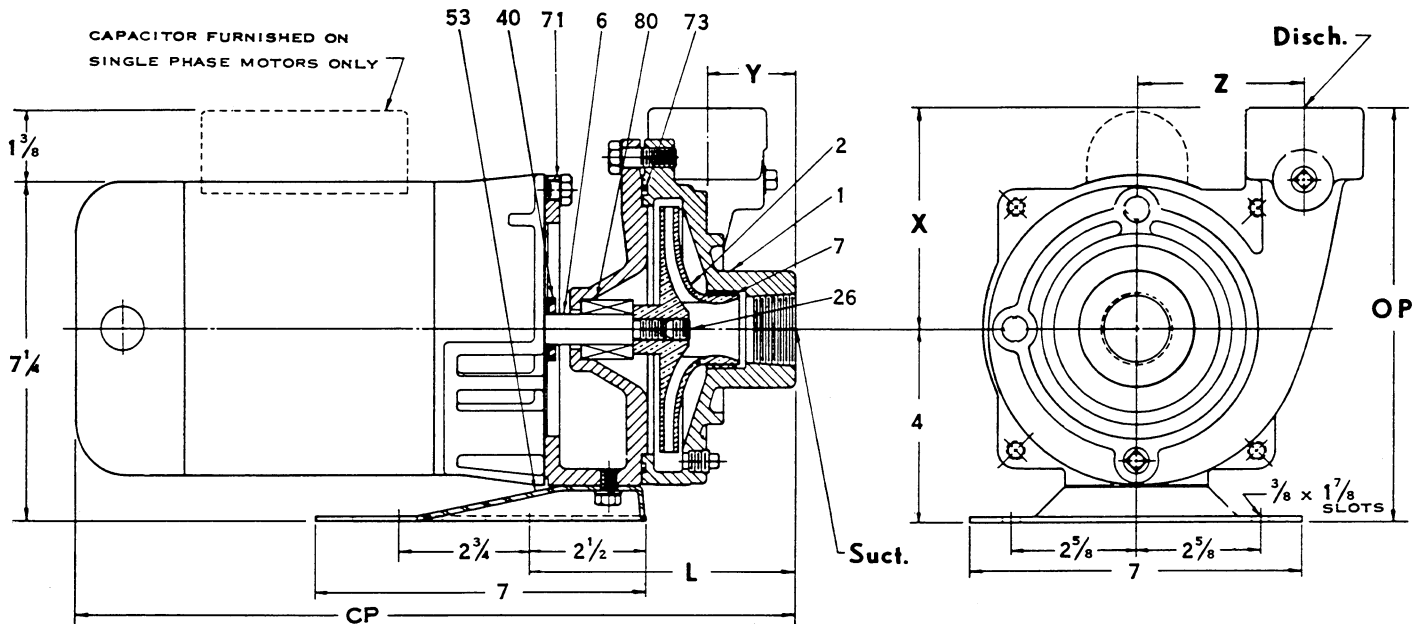


MODELS PE 33B thru PE150C
END SUCTION GENERAL SERVICE PUMPS
CLOSE COUPLED - SEAL TYPE

Construction Features

Threaded suction and discharge • Enclosed impeller • Mechanical seal • Max working pressure 75 psi
Close coupled to standard C flange, dripproof, 40°C ambient, NEMA motor • Max temperature 160°F
Casing mounted for vertical discharge



Model	Suction	Discharge	CP	L	OP	X	Y	Z
PE33B	1-1/4 NPT	1 NPT	14	5-1/2	8-3/8	4-3/8	1-5/8	3-1/4
PE50B	1-1/4 NPT	1 NPT	14-1/2	5-1/2	8-3/8	4-3/8	1-5/8	3-1/4
PE75C	1-1/2 NPT	1-1/4 NPT	15-1/4	5	8-5/8	4-5/8	1-7/8	3-1/2
PE100C	1-1/2 NPT	1-1/4 NPT	15-3/4	5	8-5/8	4-5/8	1-7/8	3-1/2
PE150C	1-1/2 NPT	1-1/4 NPT	16-1/4	5	8-5/8	4-5/8	1-7/8	3-1/2

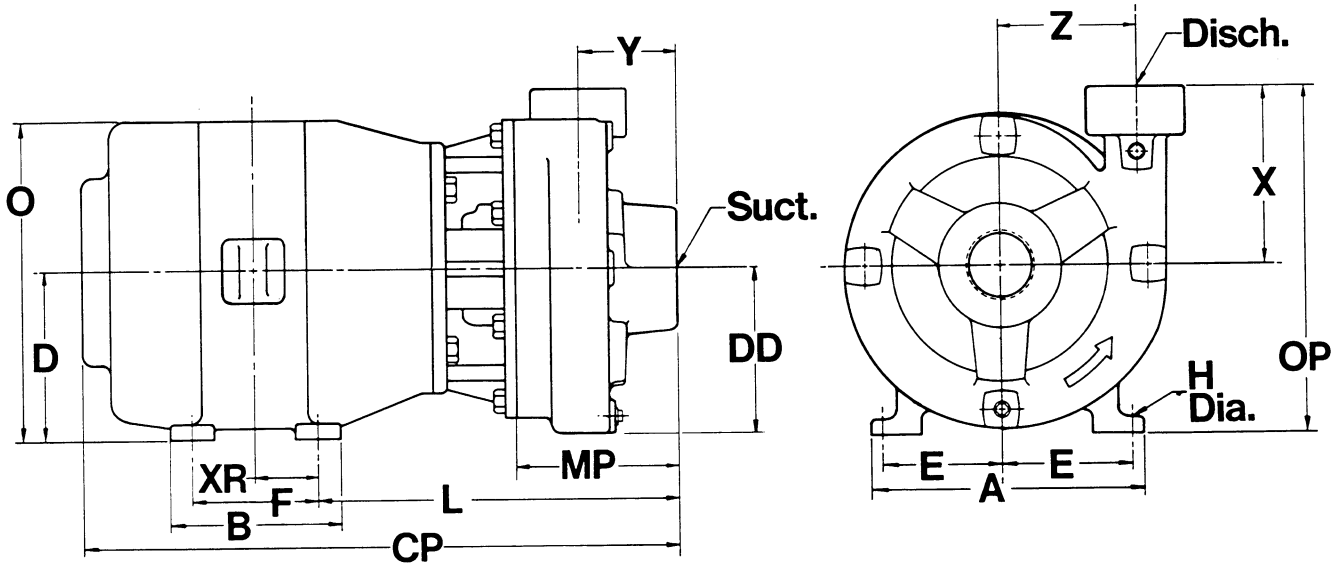
Standard Construction

- | | |
|---|------------------------|
| 1 Casing - Cast Iron | 40 Deflector - Rubber |
| 2 Impeller - Bronze | 53 Base - Steel |
| 6 Shaft - Stainless Steel | 71 Adapter - Cast Iron |
| 7 Casing Ring - Bronze | 73 "O" Ring Seal |
| 26 Impeller Screw - Stainless Steel
(PE75C, PE100C, PE150C only) | 80 Mechanical Seal |

CUSTOMER _____ JOB NAME _____
P.O. NO. _____ ITEM NO. _____
S.O. NO. _____ SERIAL NO. _____
MOTOR MFR. _____ ENCL. _____ FRAME _____ H.P. _____ VOLTS _____ PH. _____ HZ. _____
PUMP TYPE & SIZE _____ RPM _____ G.P.M. _____ TOTAL HD. FT. _____
CERTIFIED FOR APPROVAL CONSTRUCTION BY _____ DATE _____

SUBJECT TO CHANGE
UNLESS CERTIFIED
FOR CONSTRUCTION

**END SUCTION GENERAL SERVICE PUMPS
CLOSE COUPLED**



Pump Model	Motor Frame	Suct.	Disch.	A Max	B Max	D	E	F	H	MP	O Max	OP	XR	X	Y	Z	CP Max	DD	L	Approx. Wt. Lbs.
PE203-3Ø PE203-1Ø PE303-3Ø PE283-3Ø PE383-3Ø	145JM	2NPT	1½NPT	7	6½	3½	2¾	5	.34	4¾	8¾	8½	2½	5	2¾	3⅝	21	4¾	9½	100
PE303-1Ø PE503-3Ø PE583-3Ø	182JM	2NPT	1½NPT	9	6½	4½	3¾	4½	.40	4¾	9¾	9½	2¼	5	2¾	3⅝	21¾	4¾	10¼	130
PE503-1Ø PE753-3Ø PE783-3Ø	184JM	2NPT	1½NPT	9	7½	4½	3¾	5½	.40	4¾	9¾	9½	2¾	5	2¾	3⅝	21¾	4¾	10¼	140

Ø - denotes motor phase

Pump Model	Motor Frame	Suct.	Disch.	A Max	B Max	D	E	F	H	MP	O Max	OP	XR	X	Y	Z	CP Max	DD	L	Approx. Wt. Lbs.
PE833 PE834	184JM	2NPT	1NPT	9	7½	4½	3¾	5½	.40	4¼	9¾	9¾	2¾	5½	2¾	4⅝ ₁₆	20¾	5¼	10¼	154
PE835 PE836	213JM	2NPT	1NPT	10½	7½	5¼	4¼	5½	.40	4¼	11⅝	10¾	2¾	5½	2¾	4⅝ ₁₆	22¾	5¼	11⅝	215
PE837 PE838	215JM	2NPT	1NPT	10½	9	5¼	4¼	7	.40	4¼	11⅝	10¾	3½	5½	2¾	4⅝ ₁₆	24¾	5¼	11⅝	247

PE833 thru PE838 have 3 phase motors

CUSTOMER _____ JOB NAME _____
P.O. NO. _____ ITEM NO. _____
S.O. NO. _____ SERIAL NO. _____
MOTOR MFR. _____ ENCL. _____ FRAME _____ H.P. _____ VOLTS _____ PH. _____ HZ. _____
PUMP TYPE & SIZE _____ RPM _____ G.P.M. _____ TOTAL HD. FT. _____
CERTIFIED FOR APPROVAL CONSTRUCTION BY _____ DATE _____

SUBJECT TO CHANGE
UNLESS CERTIFIED
FOR CONSTRUCTION

DT 4846827
Rev. 11-80