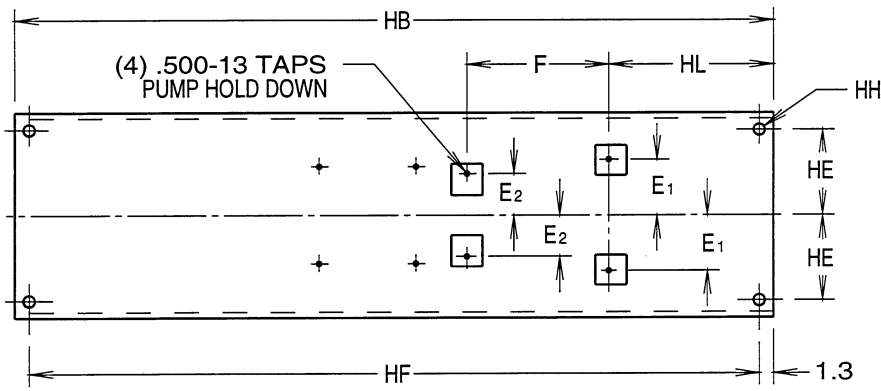
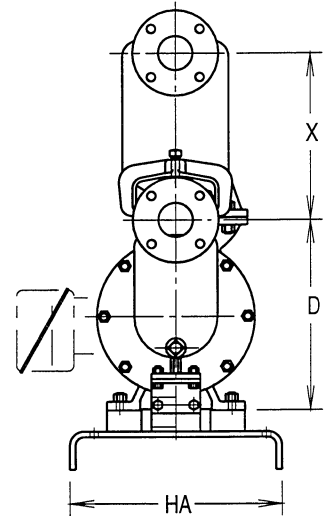
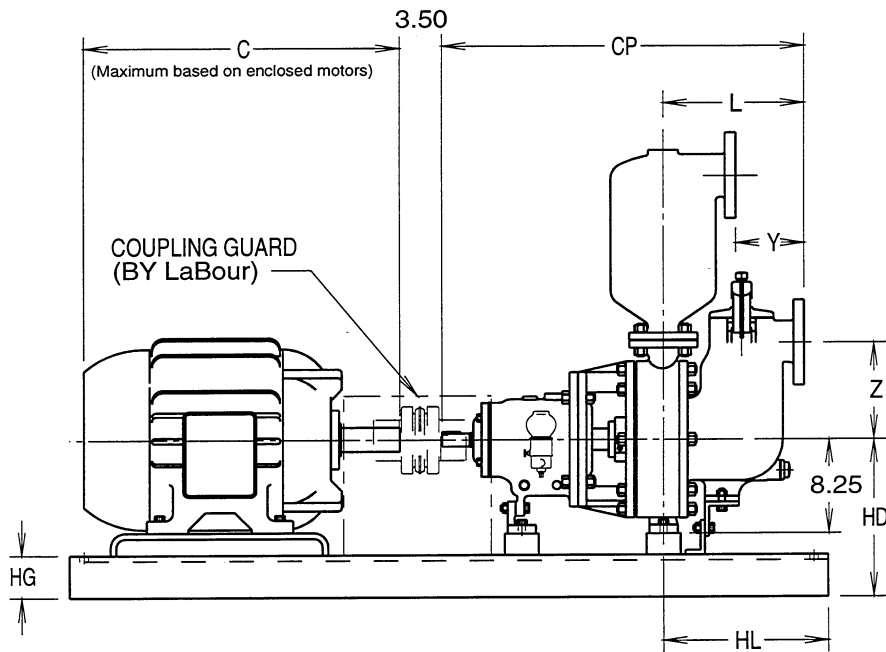


25W-LPLA

LPLA SELF-PRIMING PROCESS PUMP



Discharge & Suction flanges are ANSI B-16.5 flat faced. Unless otherwise specified.



| PUMP SIZE | SUCTION SIZE | DISCHARGE SIZE | D | 2E ₁ | 2E ₂ | F | L | X | Y | Z | CP | WEIGHT OF PUMP |
|-----------|--------------|----------------|-------|-----------------|-----------------|-------|-------|-------|------|-------|-------|----------------|
| 15W | 2.50 | 2.50 | 17.38 | 9.75 | 7.25 | 12.50 | 11.19 | 10.56 | 5.94 | 9.13 | 30.63 | 480 |
| 20XW | 3.00 | 3.00 | 16.75 | 9.75 | 7.25 | 12.50 | 12.63 | 14.13 | 6.25 | 8.50 | 32.19 | 725 |
| 23XW | 3.00 | 3.00 | 16.75 | 9.75 | 7.25 | 12.50 | 12.34 | 14.63 | 5.97 | 8.50 | 31.78 | 775 |
| 25W | 4.00 | 4.00 | 19.25 | 9.75 | 7.25 | 12.50 | 14.06 | 14.31 | 6.81 | 11.00 | 33.56 | -- |
| 35W | 6.00 | 6.00 | 19.50 | 9.75 | 7.25 | 12.50 | 17.00 | 14.06 | 8.50 | 11.25 | 36.50 | -- |

| PUMP SIZE | MOTOR FRAME | C | HA | HB | HD | HE | HF | HG | HH | HL |
|-----------|---------------------|-------|------|------|-------|------|------|------|------|-------|
| 15W | 143T-145T | 14.50 | 12.0 | 52.0 | 12.00 | 4.50 | 49.5 | 3.41 | 0.75 | 12.25 |
| | 182T-184T-213T-215T | 20.00 | 12.0 | 58.0 | | | 55.5 | | | |
| | 254T-256T | 25.50 | 15.0 | 64.0 | 13.00 | 6.00 | 65.5 | | | |
| 20XW | 254T-256T | 25.50 | 15.0 | 68.0 | 13.00 | 6.00 | 65.5 | 3.53 | 0.75 | 13.75 |
| | 284T-286T | 27.69 | 15.0 | 68.0 | | | 65.5 | | | |
| 23XW | 324T-326T-364T-365T | 33.62 | 18.0 | 74.0 | 13.88 | 7.50 | 71.5 | 3.77 | 0.75 | 13.50 |
| 25W | 324T-326T-364T-365T | 33.62 | 18.0 | 74.0 | 13.88 | 7.50 | 71.5 | 3.77 | 0.75 | 15.25 |
| 35W | 324T-326T-364T-365T | 33.62 | 18.0 | 76.9 | 13.88 | 7.50 | 74.4 | 3.77 | 0.75 | 18.13 |

all dimensions are in inches 2/3/98 J.C.V.