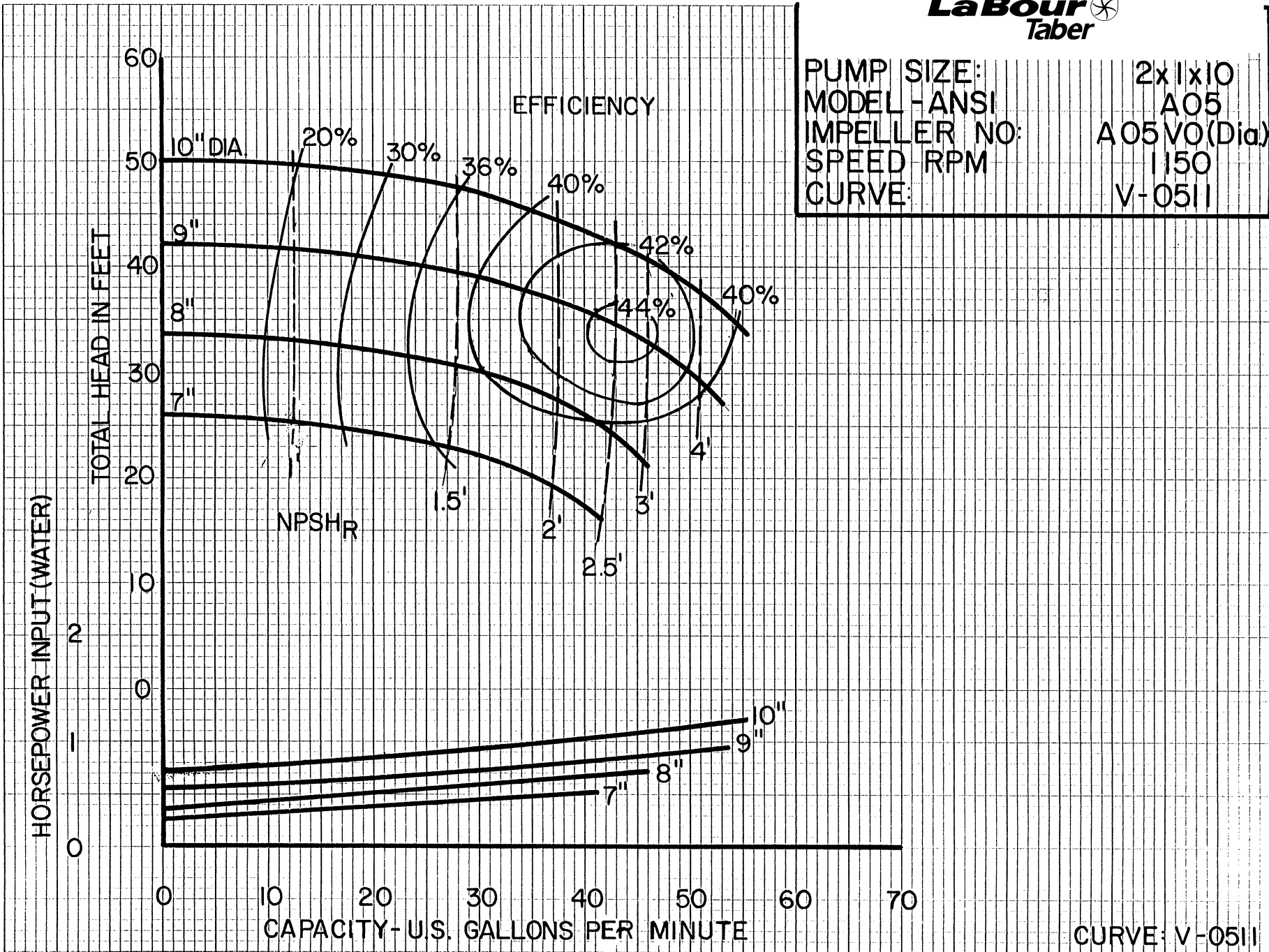


LaBour
Taber

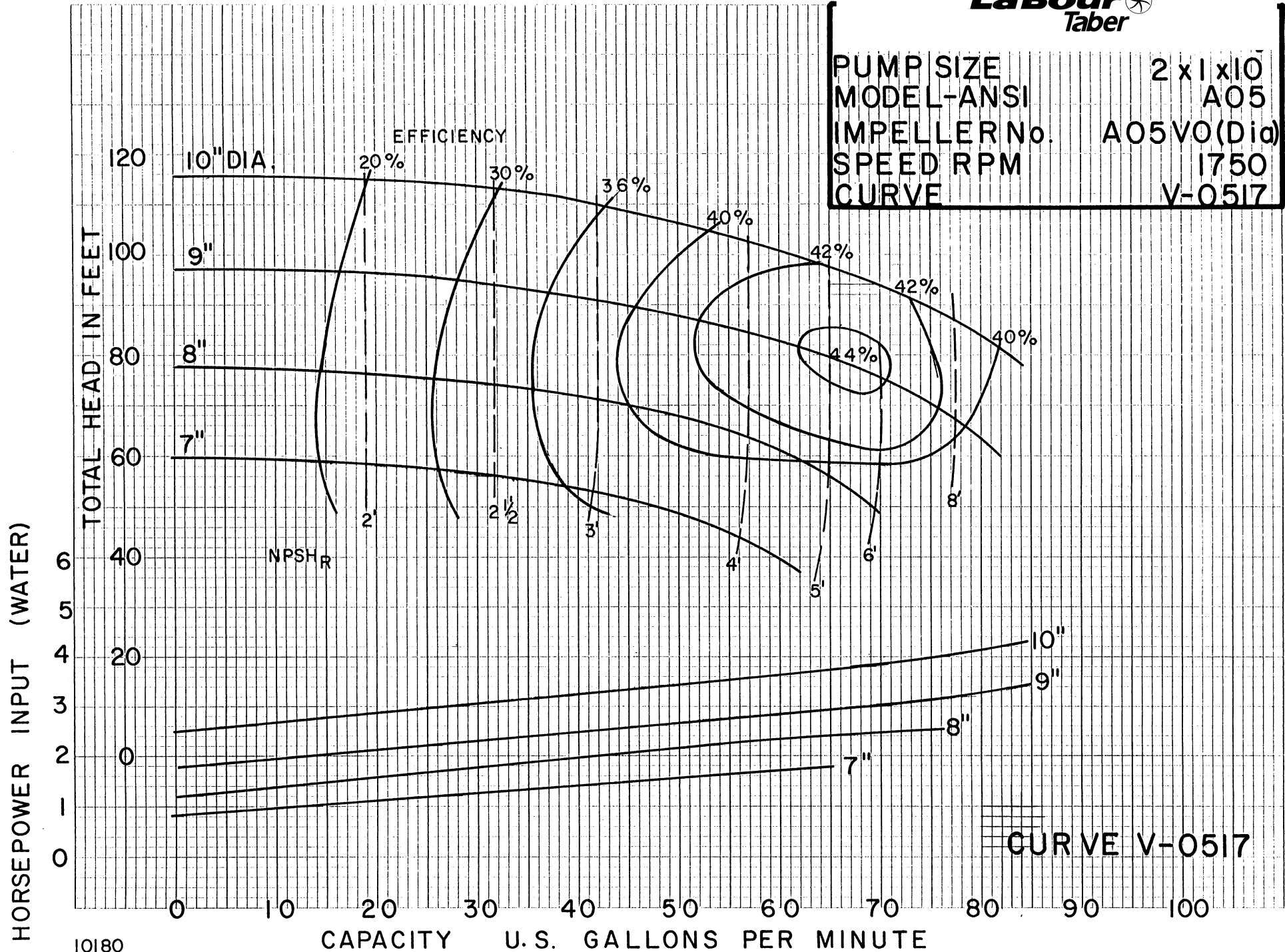
PUMP SIZE:	2x1x10
MODEL - ANSI	A05
IMPELLER NO:	A05V0(Dia)
SPEED RPM	1150
CURVE:	V-0511



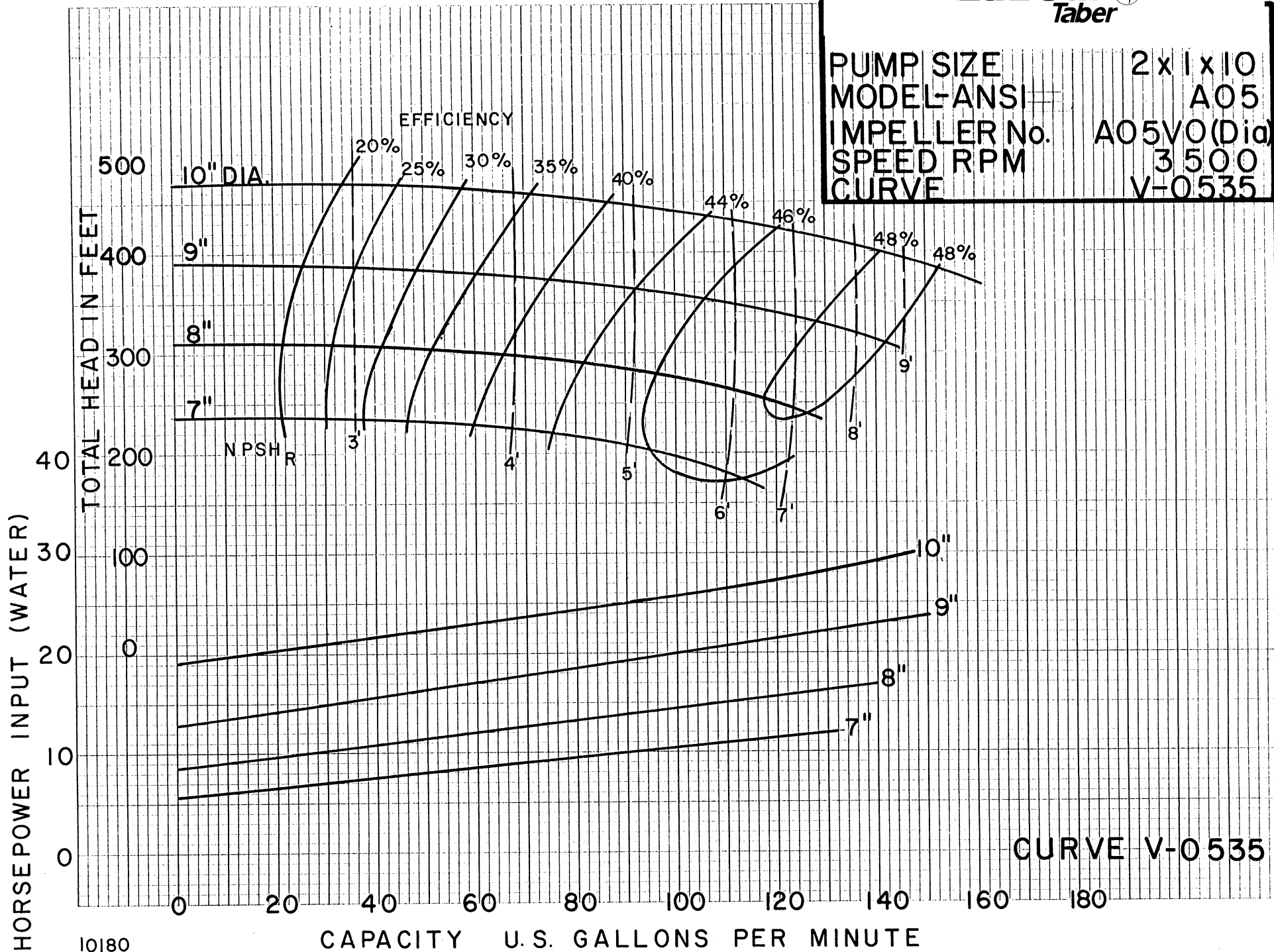
CURVE: V-0511

LaBour
Taber

PUMP SIZE	2 x 1 x 10
MODEL-ANSI	A05
IMPELLER No.	A05V0(Dia)
SPEED RPM	1750
CURVE	V-0517

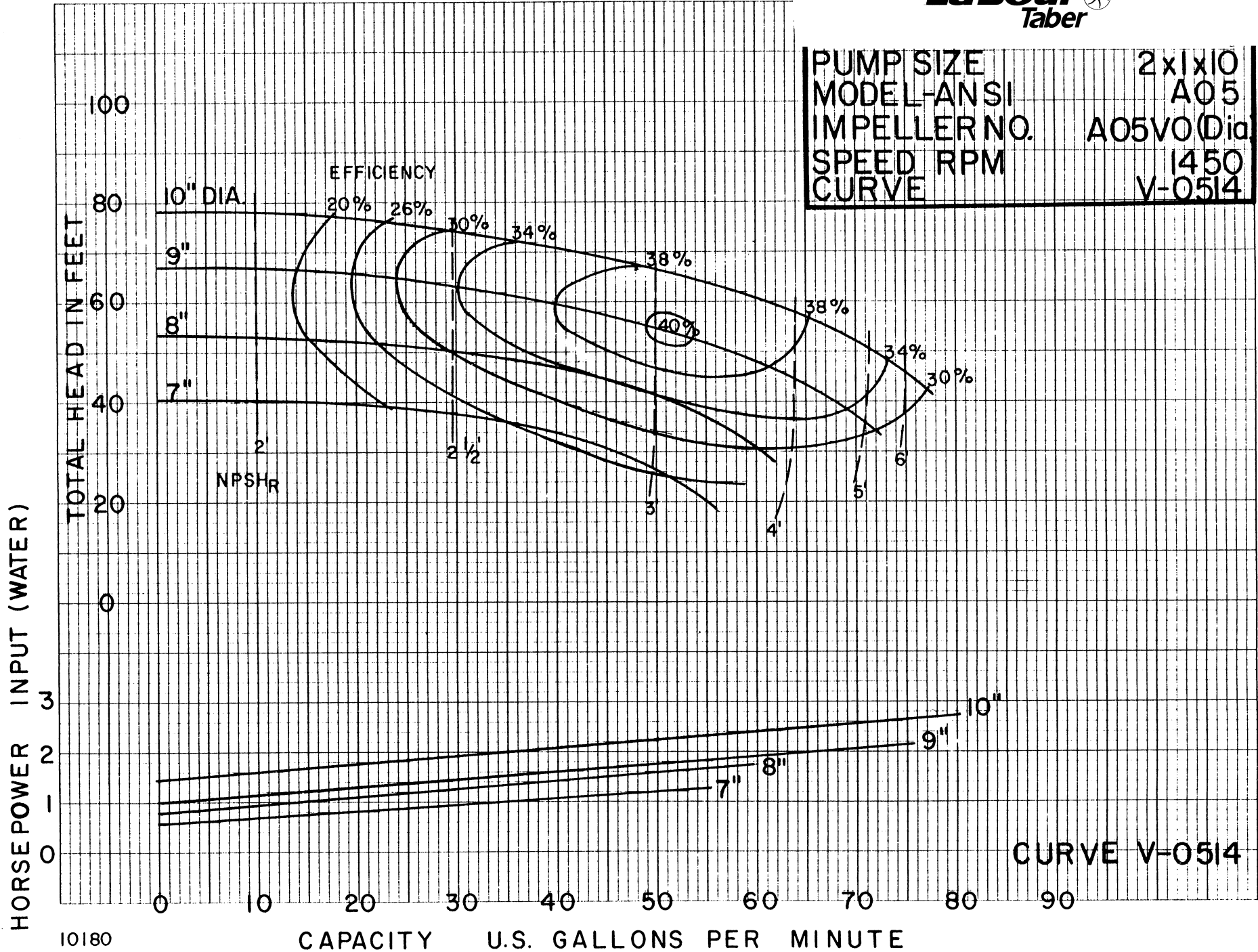


PUMP SIZE	2 x 1 x 10
MODEL-ANSI	A05
IMPELLER No.	A05V0(Dia)
SPEED RPM	3500
CURVE	V-0535

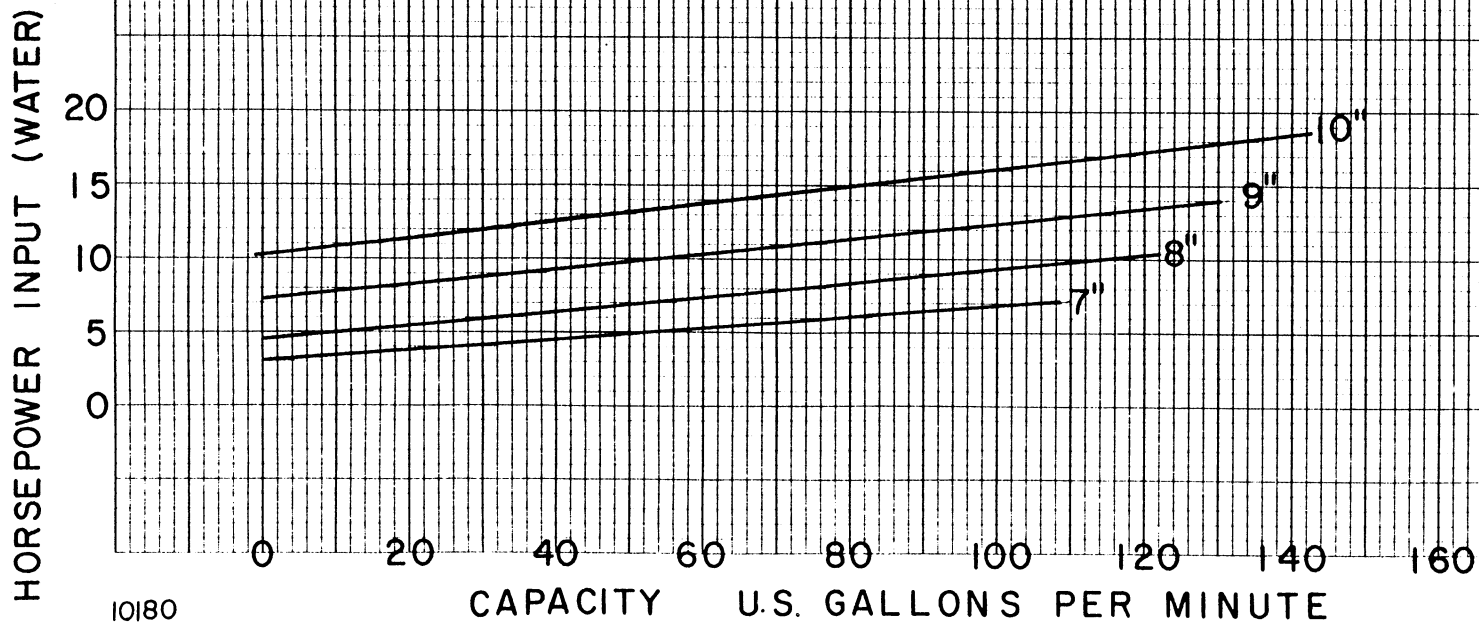
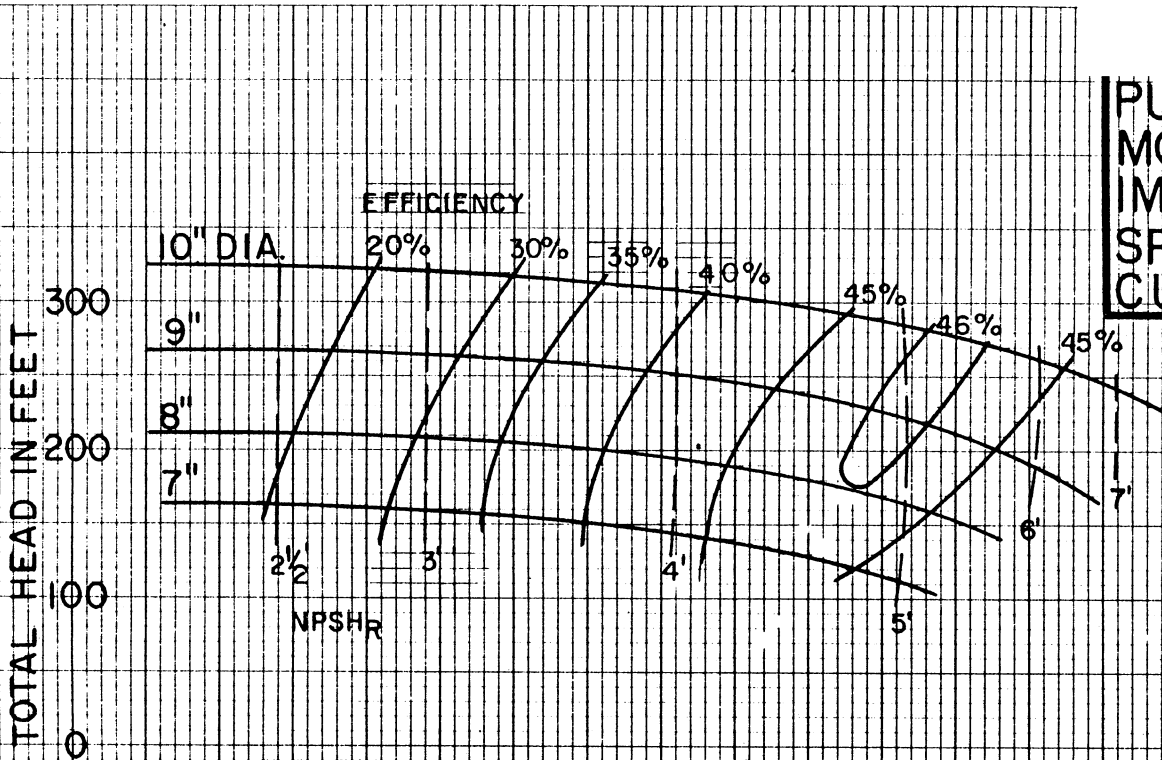


CURVE V-0535

PUMP SIZE	2x1x10
MODEL-ANSI	A05
IMPELLER NO.	A05V0(Dia
SPEED RPM	1450
CURVE	V-0514



PUMP SIZE	2 x 1 x 10
MODEL-ANSI	A05
IMPELLER No.	A05V0(Dia)
SPEED RPM	2900
CURVE	V-0529



CURVE V-0529