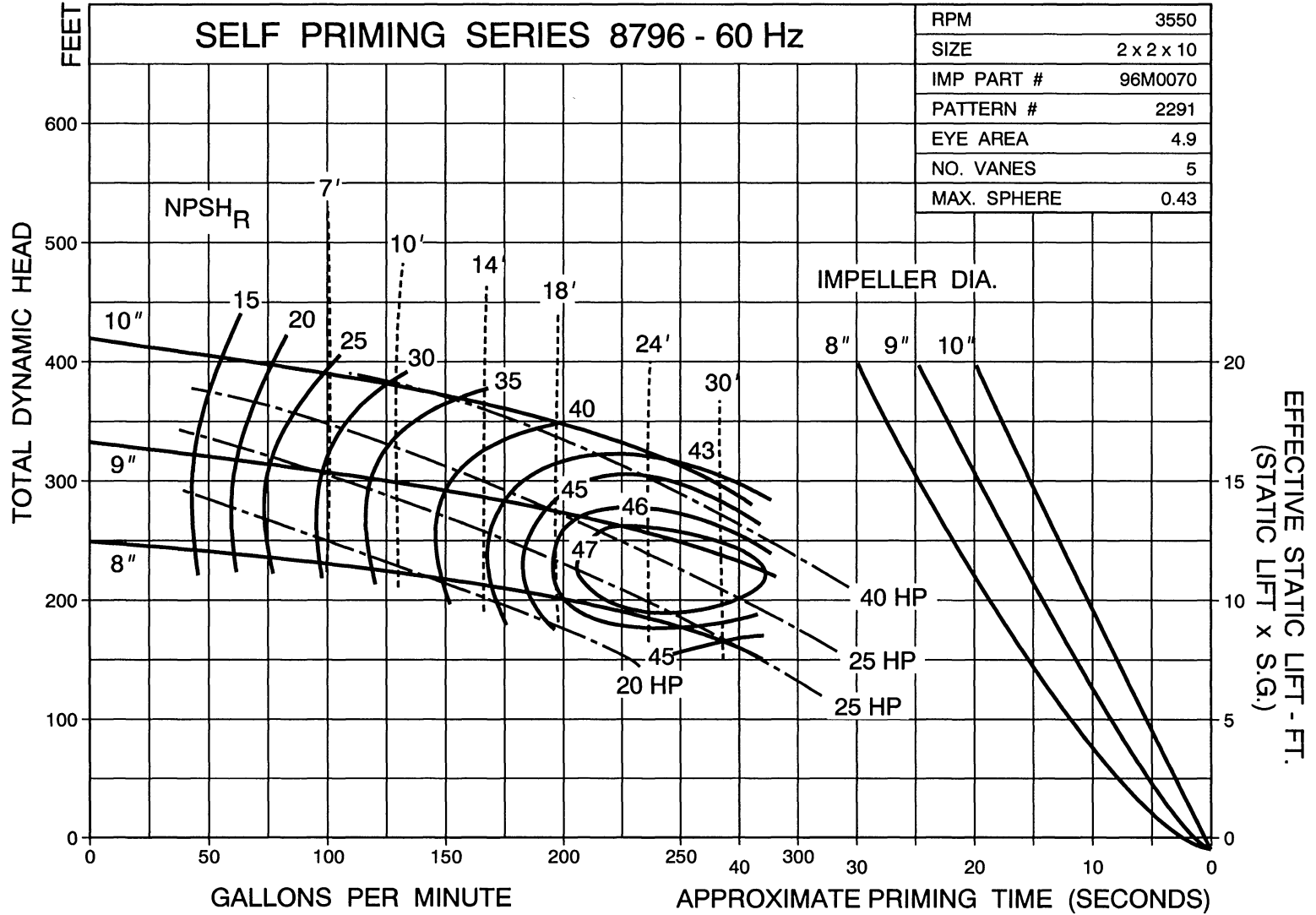


CURVE NO. 8796-003

## PEERLESS PROCESS PUMPS

### SELF PRIMING SERIES 8796 - 60 Hz

RPM	3550
SIZE	2 x 2 x 10
IMP PART #	96M0070
PATTERN #	2291
EYE AREA	4.9
NO. VANES	5
MAX. SPHERE	0.43



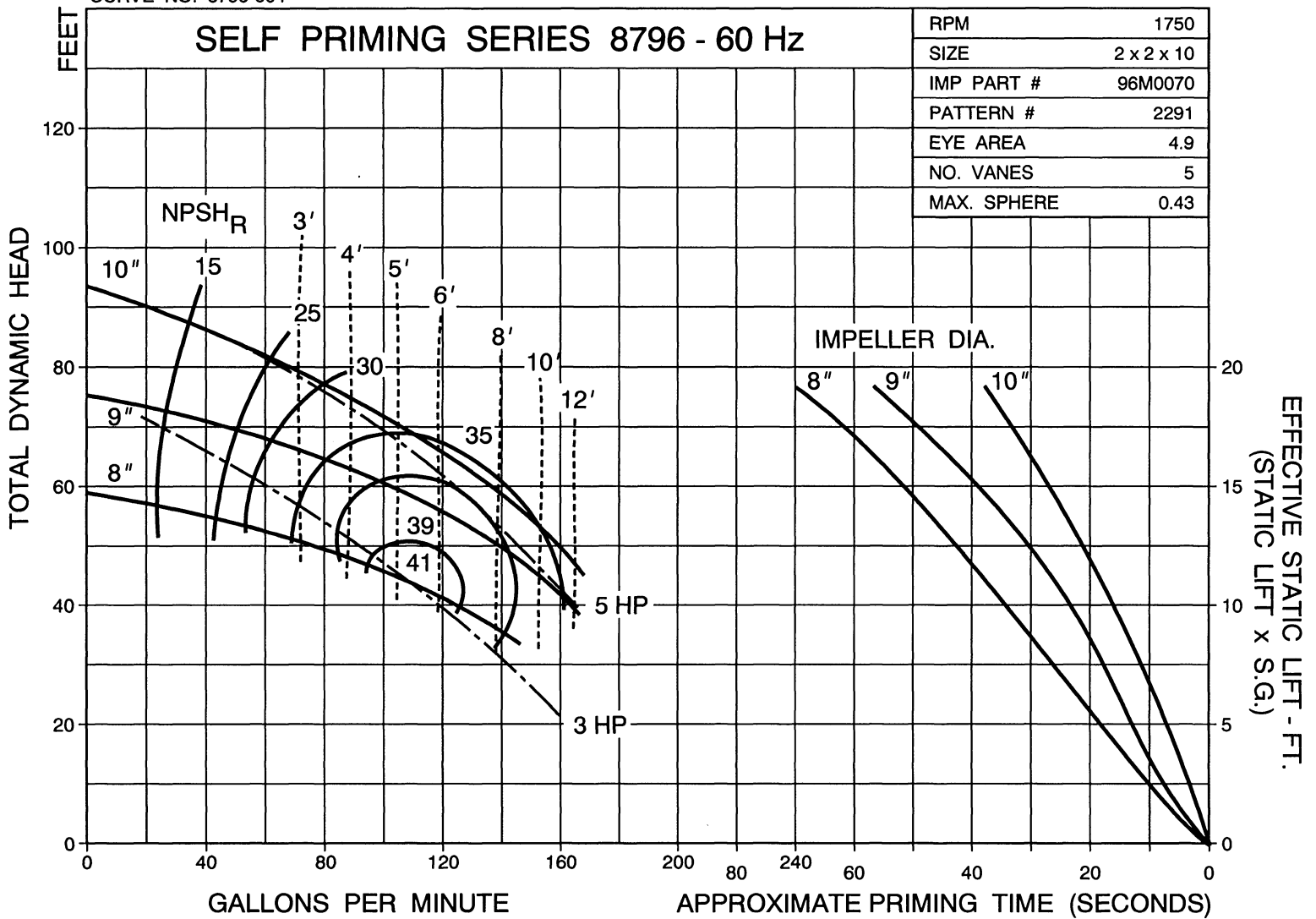
Subject to change without notice

### PEERLESS PROCESS PUMPS

CURVE NO. 8796-004

#### SELF PRIMING SERIES 8796 - 60 Hz

RPM	1750
SIZE	2 x 2 x 10
IMP PART #	96M0070
PATTERN #	2291
EYE AREA	4.9
NO. VANES	5
MAX. SPHERE	0.43



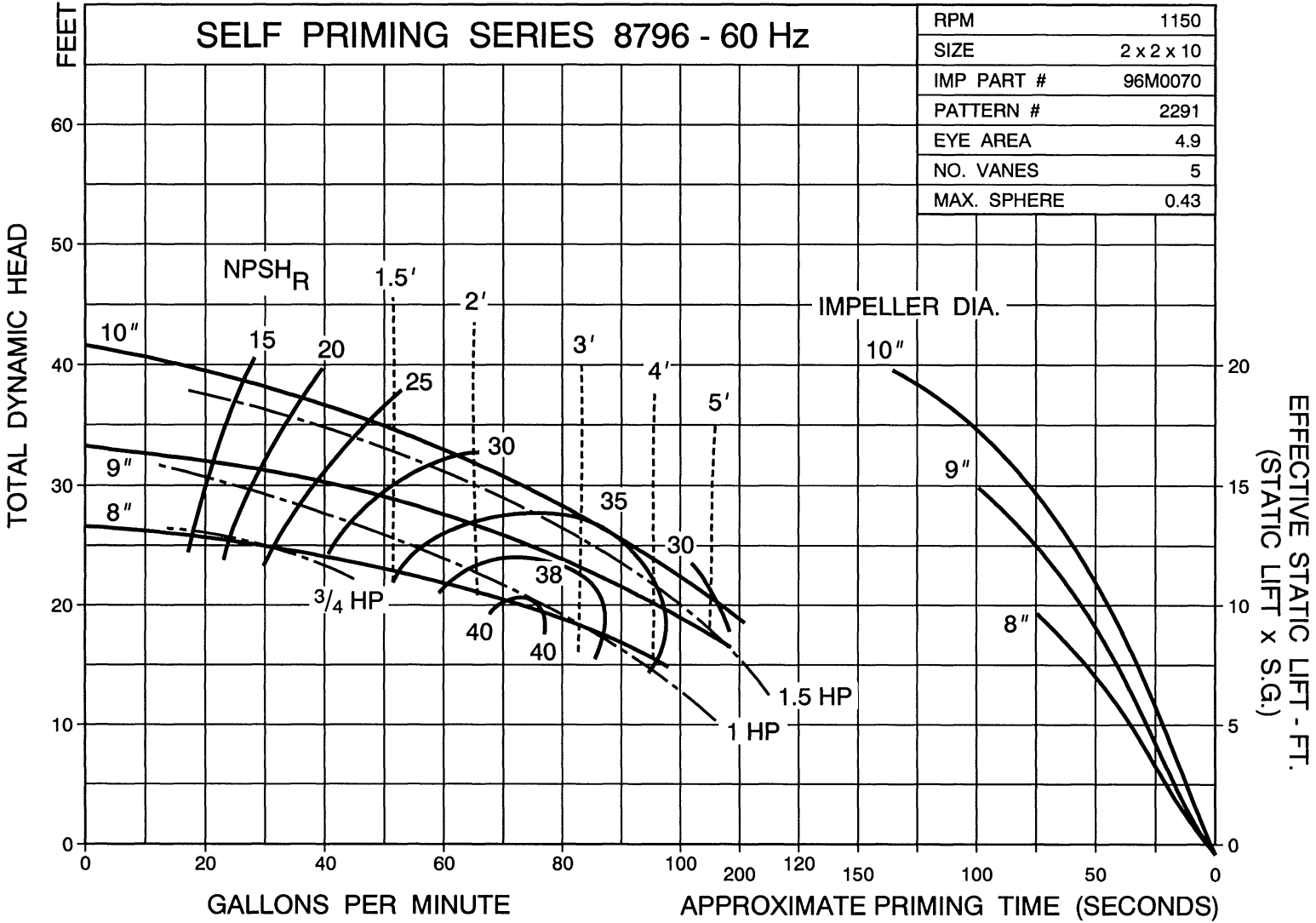
Subject to change without notice

### PEERLESS PROCESS PUMPS

CURVE NO. 8796-005

#### SELF PRIMING SERIES 8796 - 60 Hz

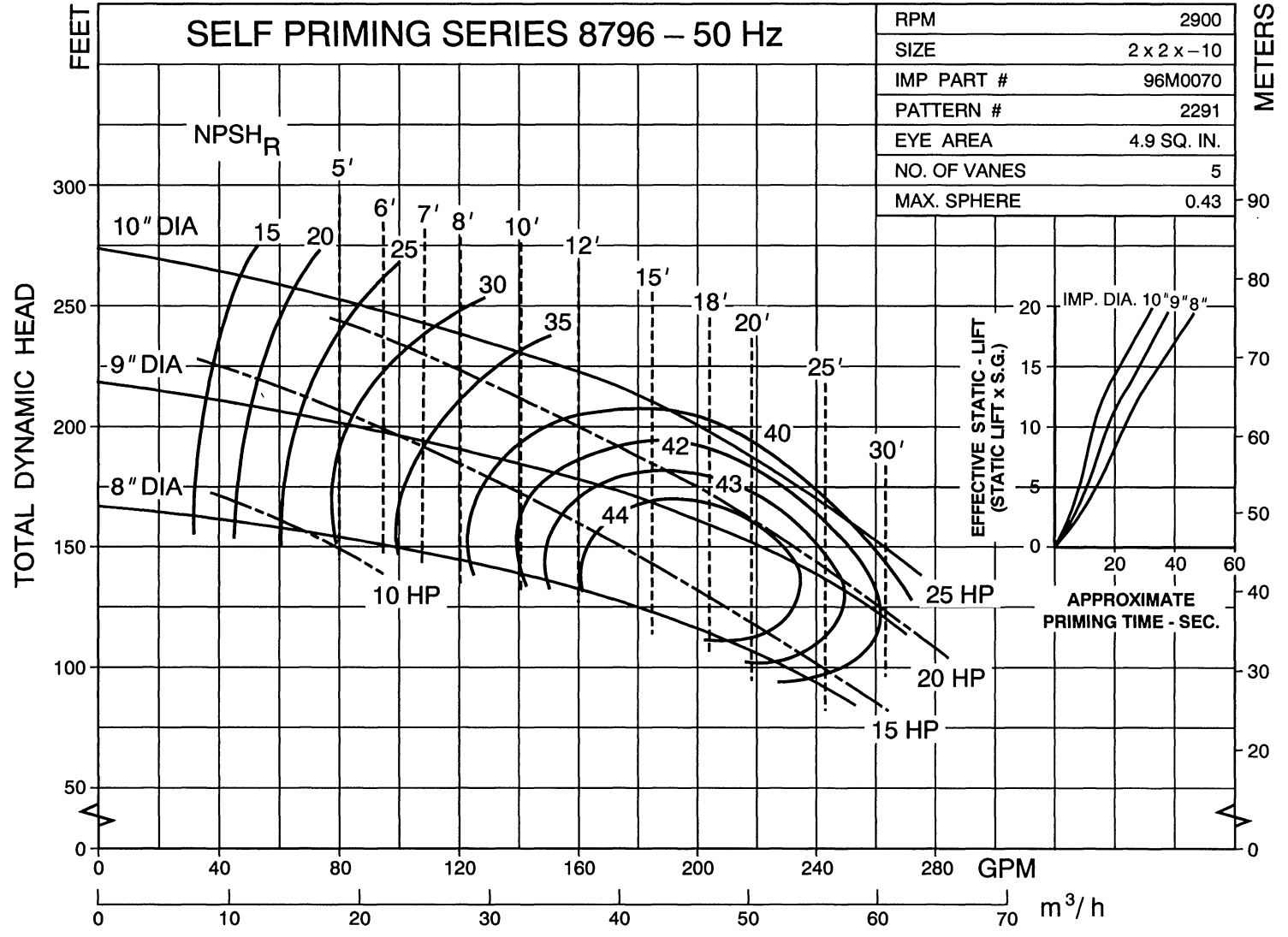
RPM	1150
SIZE	2 x 2 x 10
IMP PART #	96M0070
PATTERN #	2291
EYE AREA	4.9
NO. VANES	5
MAX. SPHERE	0.43



Subject to change without notice

# PEERLESS PROCESS PUMPS

CURVE NO. 8796-017



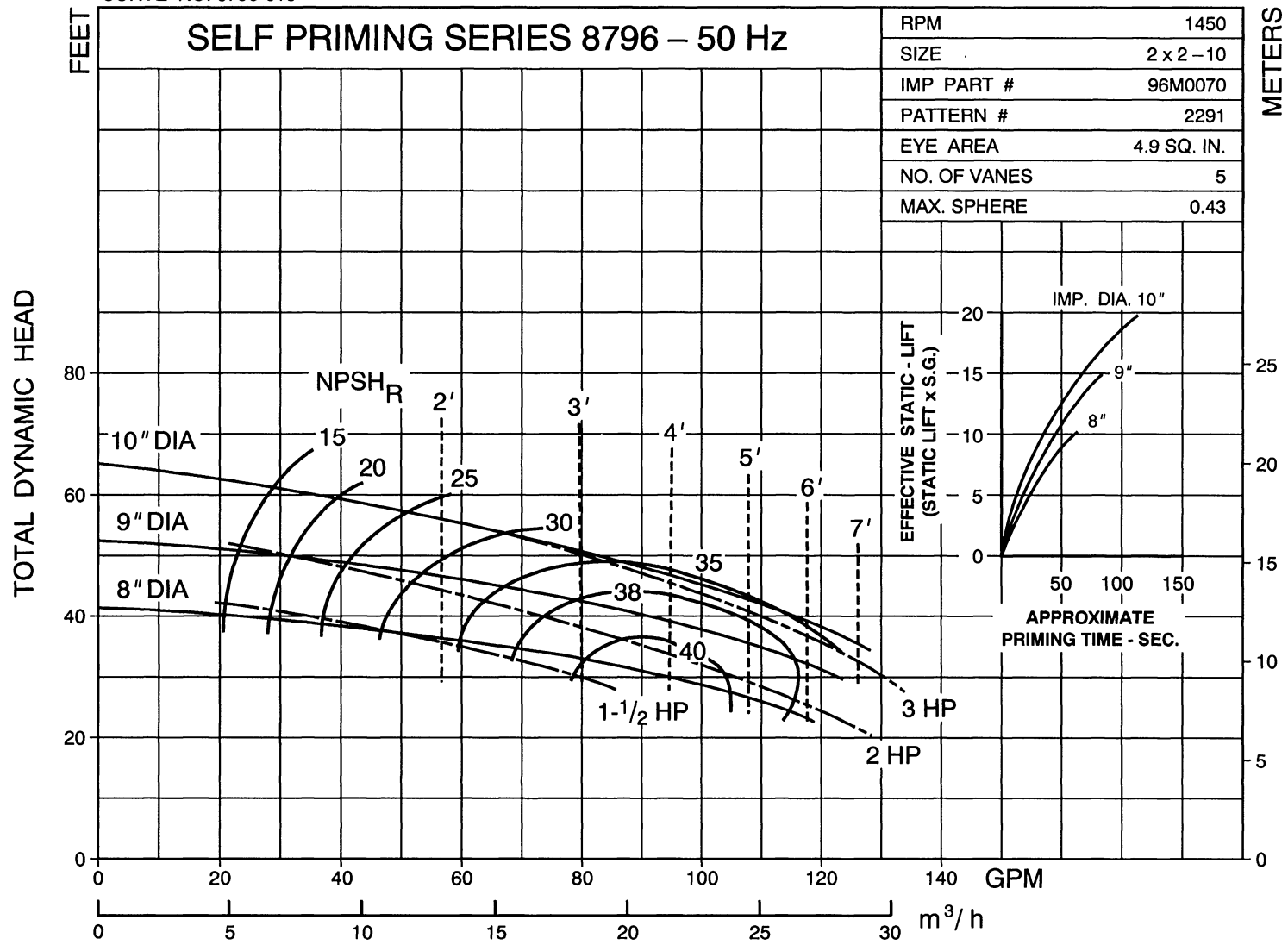
Subject to change without notice

# PEERLESS PROCESS PUMPS

CURVE NO. 8796-018

## SELF PRIMING SERIES 8796 – 50 Hz

RPM	1450
SIZE	2 x 2 – 10
IMP PART #	96M0070
PATTERN #	2291
EYE AREA	4.9 SQ. IN.
NO. OF VANES	5
MAX. SPHERE	0.43



Subject to change without notice