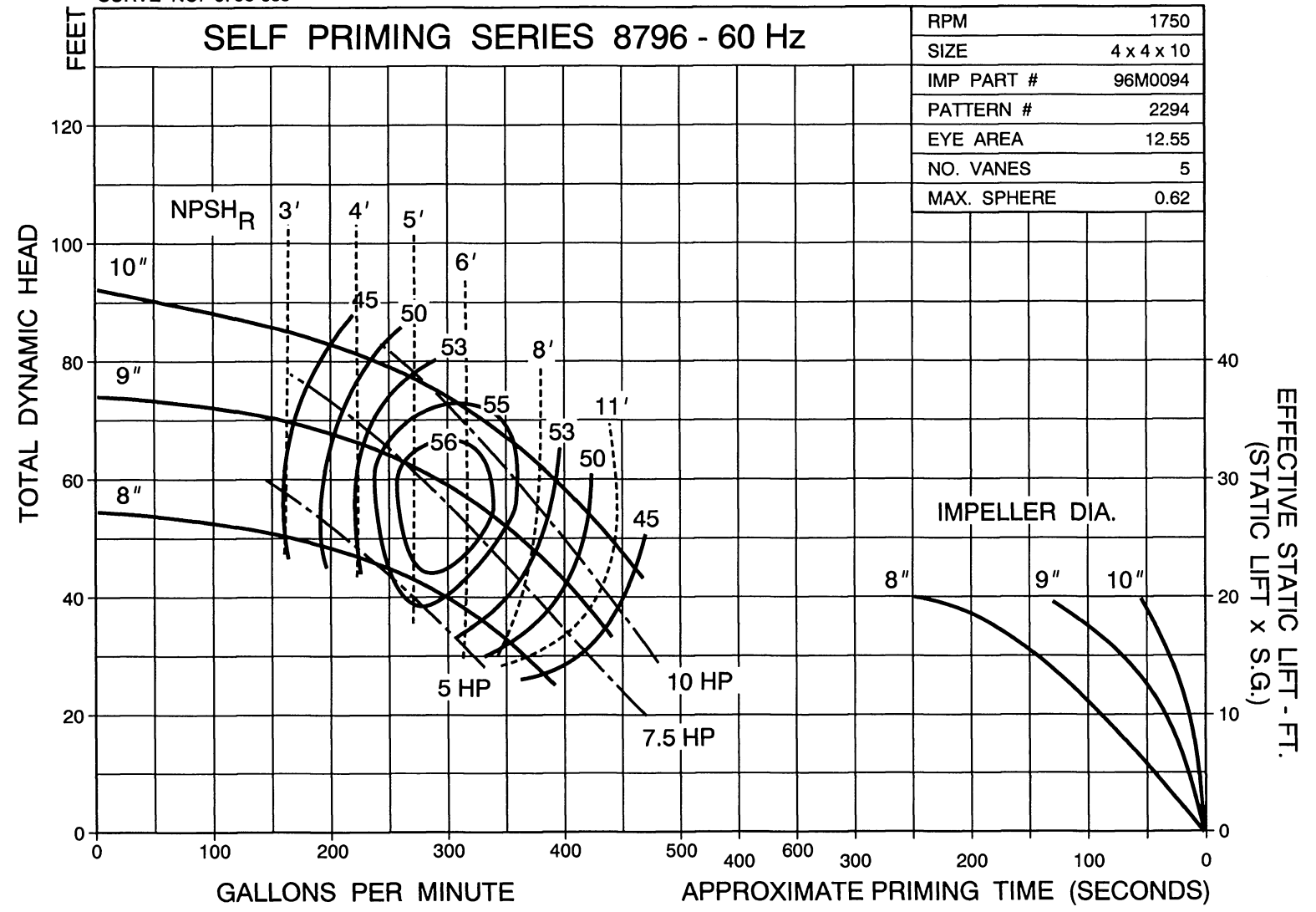


PEERLESS PROCESS PUMPS

CURVE NO. 8796-009

SELF PRIMING SERIES 8796 - 60 Hz

RPM	1750
SIZE	4 x 4 x 10
IMP PART #	96M0094
PATTERN #	2294
EYE AREA	12.55
NO. VANES	5
MAX. SPHERE	0.62



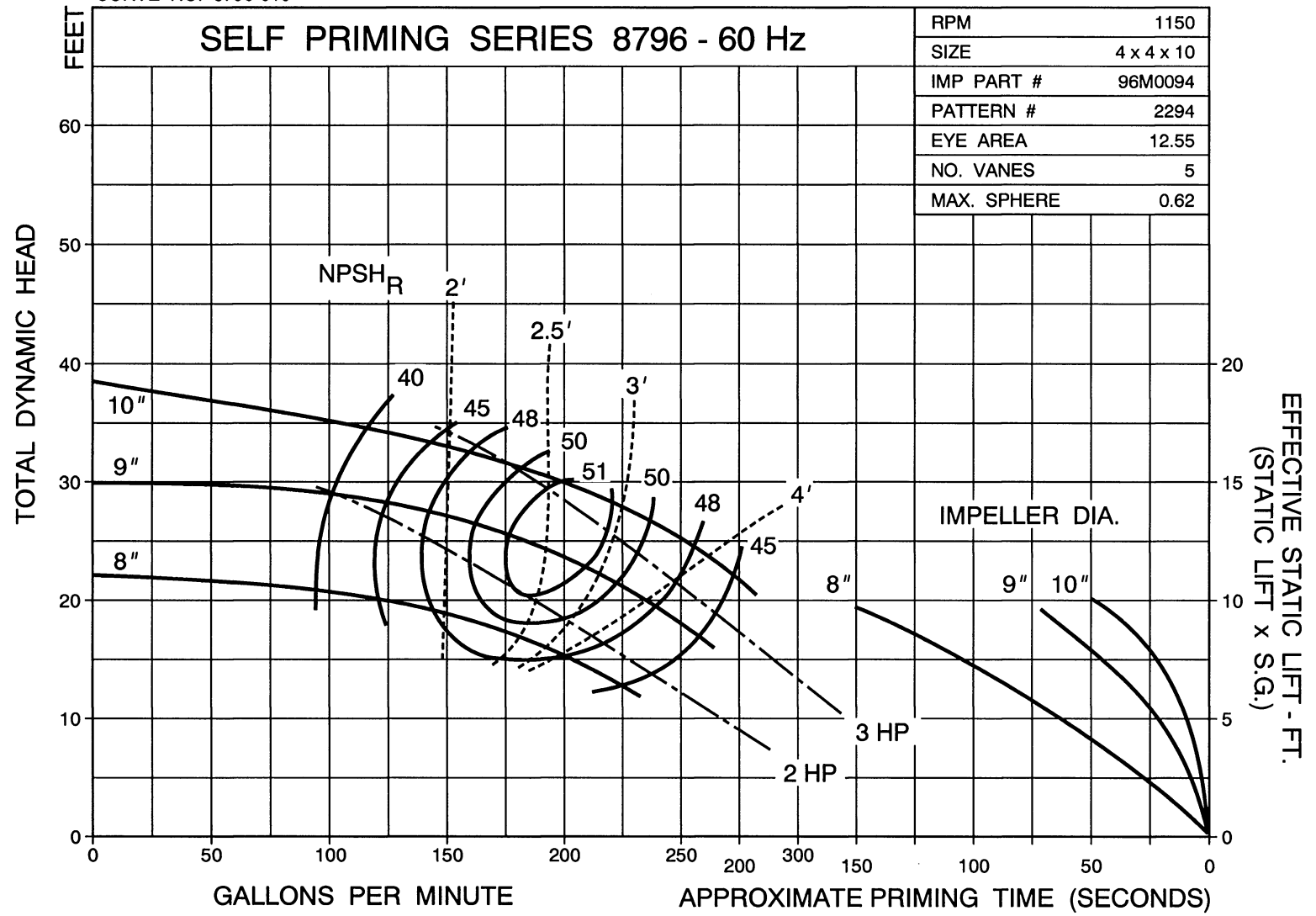
Subject to change without notice

PEERLESS PROCESS PUMPS

CURVE NO. 8796-010

SELF PRIMING SERIES 8796 - 60 Hz

RPM	1150
SIZE	4 x 4 x 10
IMP PART #	96M0094
PATTERN #	2294
EYE AREA	12.55
NO. VANES	5
MAX. SPHERE	0.62



Subject to change without notice



Peerless Pump Company
Indianapolis, IN 46207-7026

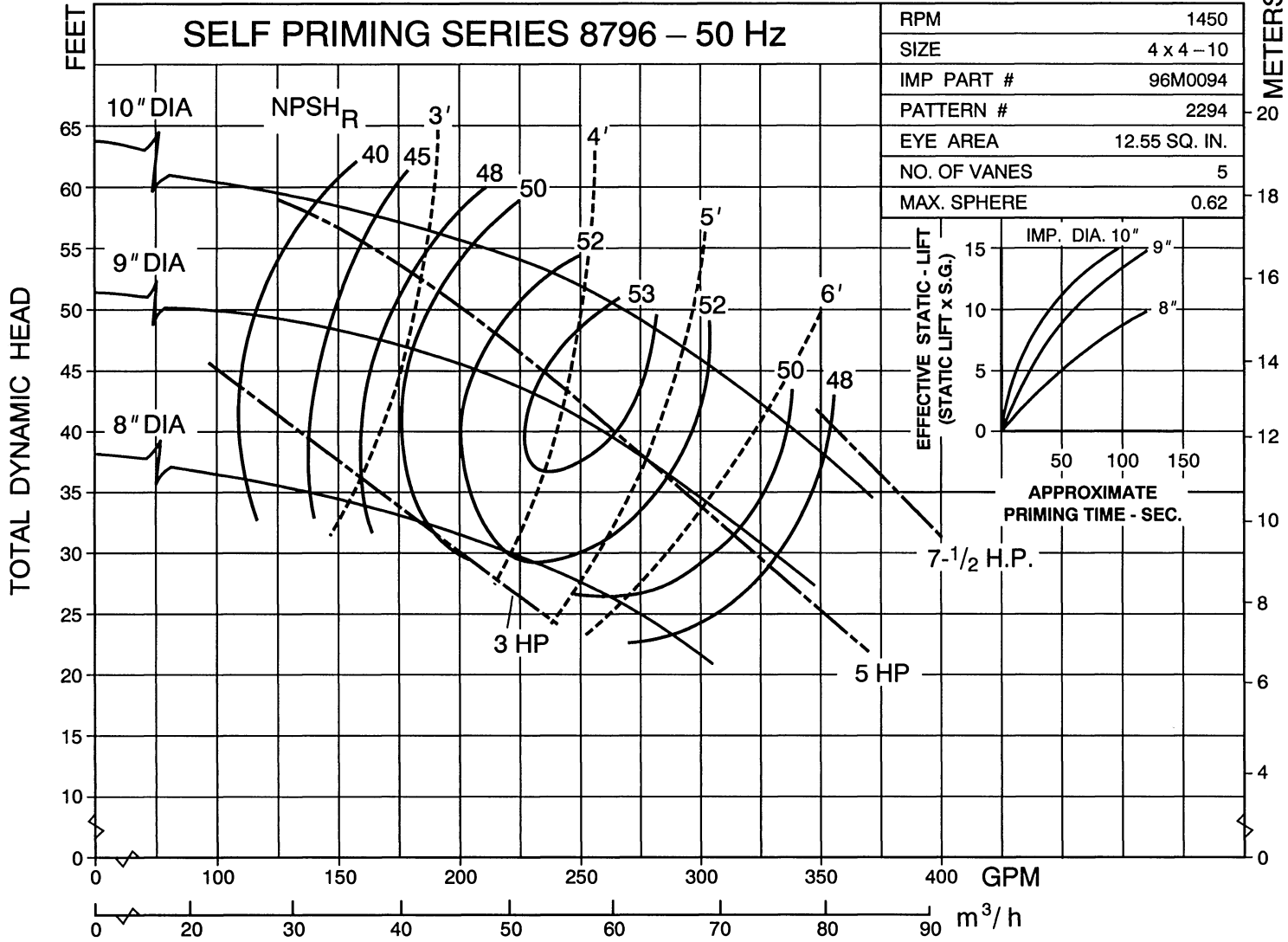
Section 8240
Page 23
Effective 2/15/93

PEERLESS PROCESS PUMPS

CURVE NO. 8796 - 021

SELF PRIMING SERIES 8796 - 50 Hz

RPM	1450
SIZE	4 x 4 - 10
IMP PART #	96M0094
PATTERN #	2294
EYE AREA	12.55 SQ. IN.
NO. OF VANES	5
MAX. SPHERE	0.62



Subject to change without notice