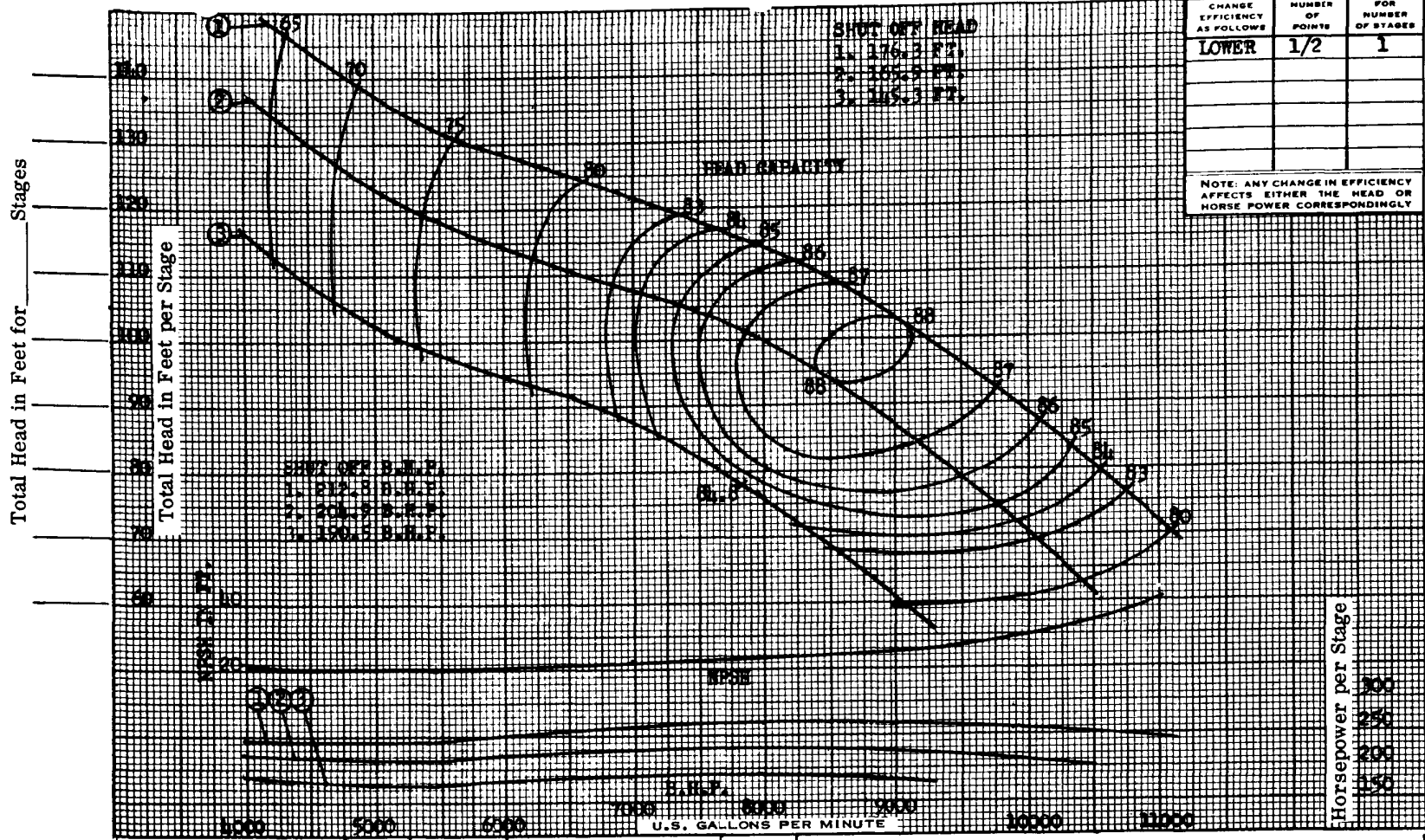




Peerless Pump Company
Indianapolis, IN 46207-7025

VERTICAL TURBINE PUMPS
Model 27MA - 1185 Rpm

SECTION 140
Page 1160-81
October, 1974



Head and Capacity Warranty Contingent on:	CURVE NO.	IMPELLER NO.	IMPELLER DIA.	TAKEN FROM	Customer:
Proper flow to pump suction Proper submergence Fluid free of gas, air & abrasives Proper lateral setting of impeller	1	2621402	18 ²⁷ / ₃₂ " x 19 ⁷ / ₈ "	37239	_____
	2	2621402	17 ⁹ / ₁₆ " x 19 ¹ / ₁₆ "	37250	Item No: _____
	3	2621402	16 ¹⁵ / ₃₂ " x 18 ¹¹ / ₃₂ "	37265	Peerless Ref. No: _____
	4				

Laboratory Performance		BOWL	2621430 CI PLASTIC COATED
SIZE	27MA	RPM	1185
		CURVE	2831461

PUMP DESCRIPTION: Driver _____; Head _____; Column _____
 FIELD PERFORMANCE: Capacity _____ gpm; Head _____ ft; Eff _____ %; BHP _____

Total Head in Feet for _____ Stages

Horsepower for _____ Stages



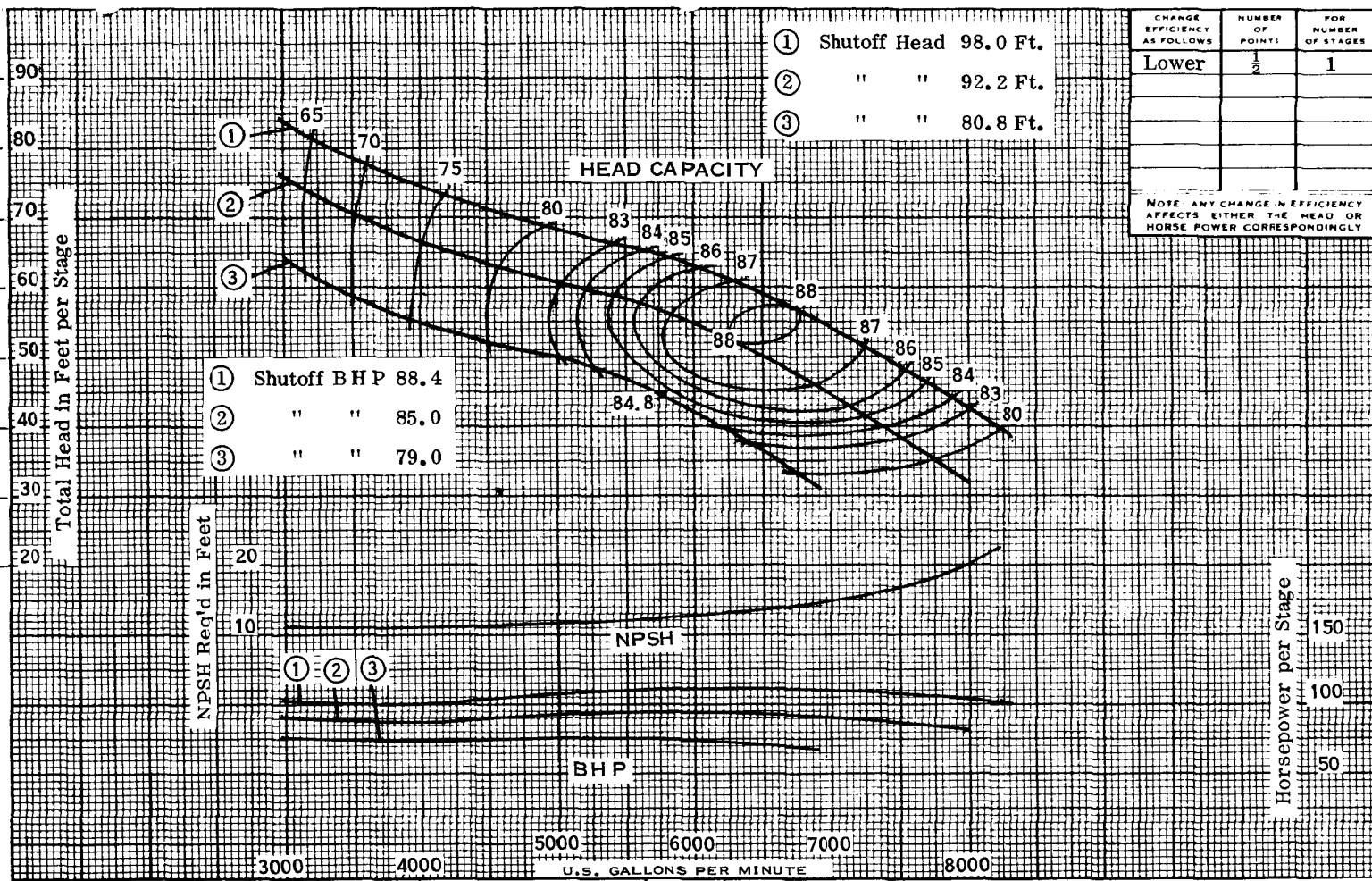
Peerless Pump Company
Indianapolis, IN 46207-7025

VERTICAL TURBINE PUMPS
Model 27MA - 885 Rpm

Horsepower for _____ Stages

SECTION 140
Page 870-19
October, 1974

Total Head in Feet for _____ Stages



CHANGE EFFICIENCY AS FOLLOWS	NUMBER OF POINTS	FOR NUMBER OF STAGES
Lower	1/2	1

NOTE: ANY CHANGE IN EFFICIENCY AFFECTS EITHER THE HEAD OR HORSE POWER CORRESPONDINGLY

HYDRAULIC PERFORMANCE WARRANTY Guaranteed at designated point only, and contingent on: Proper flow to pump suction Proper submergence Fluid free of gas, air & abrasives Proper lateral setting of impeller	CURVE NO.	IMPELLER NO.	IMPELLER DIA.	TAKEN FROM	Customer _____						
	1	2621402	18 ²⁷ / ₃₂ " x 19 ⁷ / ₈ "	37239	Item _____						
	2	2621402	17 ⁹ / ₁₆ " x 19 ¹ / ₁₆ "	37250	Peerless Ref. No: _____						
	3	2621402	16 ¹⁵ / ₃₂ " x 18 ¹ / ₃₂ "	37265	Laboratory Performance						
	4				<table border="1"> <tr> <td>SIZE</td> <td>27 MA</td> <td>RPM</td> <td>885</td> <td>CURVE</td> <td>2831459</td> </tr> </table>	SIZE	27 MA	RPM	885	CURVE	2831459
SIZE	27 MA	RPM	885	CURVE	2831459						

PUMP DESCRIPTION: Driver _____; Head _____; Column _____
 GUARANTEED BOWL PERFORMANCE: Capacity _____ gpm; Head _____ ft; Eff _____ %; BHP _____
 FIELD

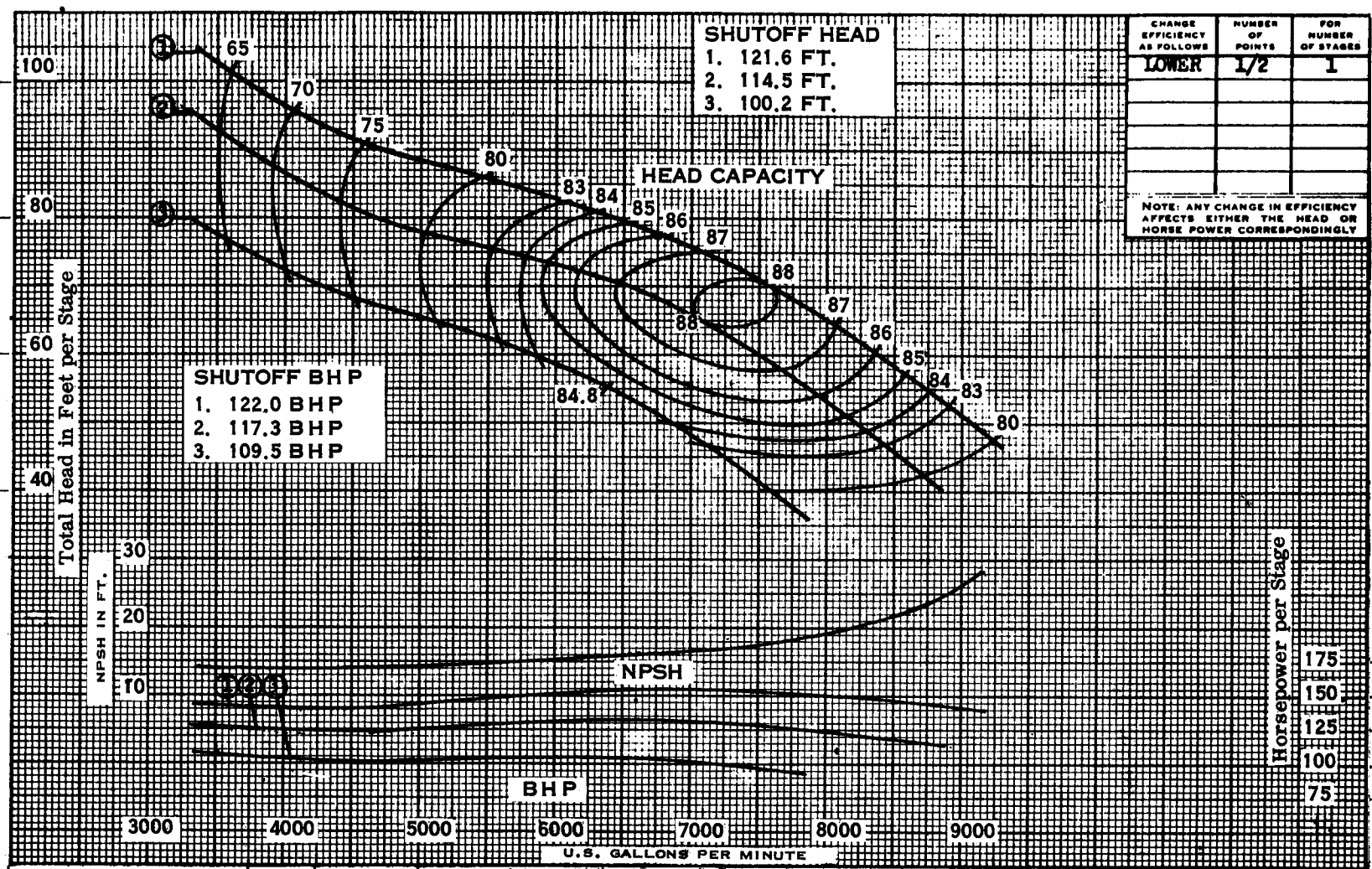


Peerless Pump Company
Indianapolis, IN 46207-7025

stages _____ of rowedarsroH

VERTICAL TURBINE PUMPS

Section 140
10-74



Total Head in Feet for _____ Stages

140-50Hz Page 153

HYDRAULIC PERFORMANCE WARRANTY	CURVE NO.	IMPELLER NO.	IMPELLER DIA.	TAKEN FROM	Customer _____			
					Item _____			
at designated point only, and contingent on: Proper flow to pump suction Proper submergence Fluid free of gas, air & abrasives Proper lateral setting of impeller	1	2621402	18 ²⁷ / ₃₂ x 19 ⁷ / ₈	37239	Peerless Ref. No: _____			
	2	2621402	17 ⁹ / ₁₆ x 19 ¹ / ₁₆	37250	Laboratory Performance			
	3	2621402	16 ¹⁵ / ₃₂ x 18 ¹ / ₃₂	37265	SIZE	27 MA	RPM	985
	4				CURVE	2831460		BOWL 2621430 CI PLASTIC COATED

PUMP DESCRIPTION: Driver _____; Head _____; Column _____
 BOWL FIELD PERFORMANCE: Capacity _____ gpm; Head _____ ft; Eff _____ %; BHP _____



Peerless Pump Company
Indianapolis, IN 46207-7025

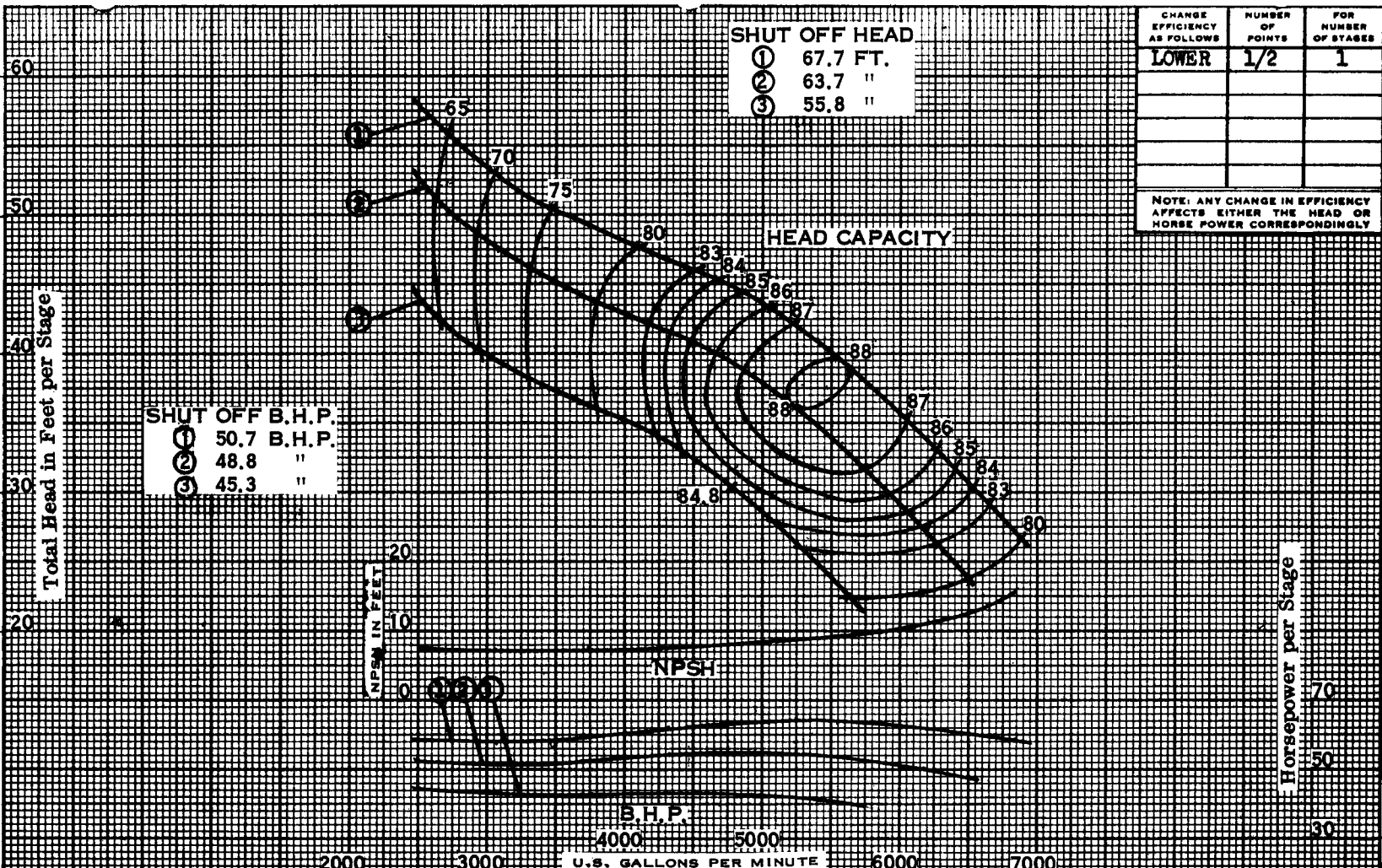
VERTICAL TURBINE PUMPS

Stages _____ for horsepower

Section 140
10-74

Total Head in Feet for _____ Stages

140-50Hz Page 173



CHANGE EFFICIENCY AS FOLLOWS	NUMBER OF POINTS	FOR NUMBER OF STAGES
LOWER	1/2	1

NOTE: ANY CHANGE IN EFFICIENCY AFFECTS EITHER THE HEAD OR HORSE POWER CORRESPONDINGLY

HYDRAULIC PERFORMANCE WARRANTY at designated point only, and contingent on: Proper flow to pump suction Proper submergence Fluid free of gas, air & abrasives Proper lateral setting of impeller	CURVE NO. 1	IMPELLER NO. 2621402	IMPELLER DIA. 18 ²⁷ / ₃₂ x 19 ⁷ / ₈	TAKEN FROM 37239	Customer _____
	2	2621402	17 ⁹ / ₁₆ x 19 ¹ / ₁₆	37250	Item _____
	3	2621402	16 ¹⁵ / ₃₂ x 18 ¹¹ / ₃₂	37265	Peerless Ref. No. _____
	4				

Laboratory Performance		BOWL	2621430 C1 PLASTIC COATED
SIZE	27 MA	RPM	735
CURVE	2831458		

PUMP DESCRIPTION: Driver _____; Head _____; Column _____
 BOWL FIELD PERFORMANCE: Capacity _____ gpm; Head _____ ft; Eff _____ %; BHP _____