



CDL-3 Vertical Multi-stage Pumps



CDLF series are vertical multi-stage stainless steel pumps designed for pumping clean water and similar liquids.

Peerless Pump Company
Indianapolis, Indiana 46207-7026

Brochure B-1745



Model Nomenclature

CDLF2-40-2

CDL — Vertical Multi-stage Light Duty Centrifugal Pump

F — Stainless Steel for Liquid Contacted Parts

4 — Rated Capacity (m³/h)

40 — No. of Stages Times 10 (4 stage)

2 — No. of Expellers (For CDL32 only)

Working Conditions

- Temperature Range: 5 to 248°F.
- Ambient Temperature: up to 40°C
- Max Operating Pressure: 232 psi

Typical applications

- **Urban water supply and pressure boosting**
- **Industrial circulating system and processing systems**
- **Others special applications**



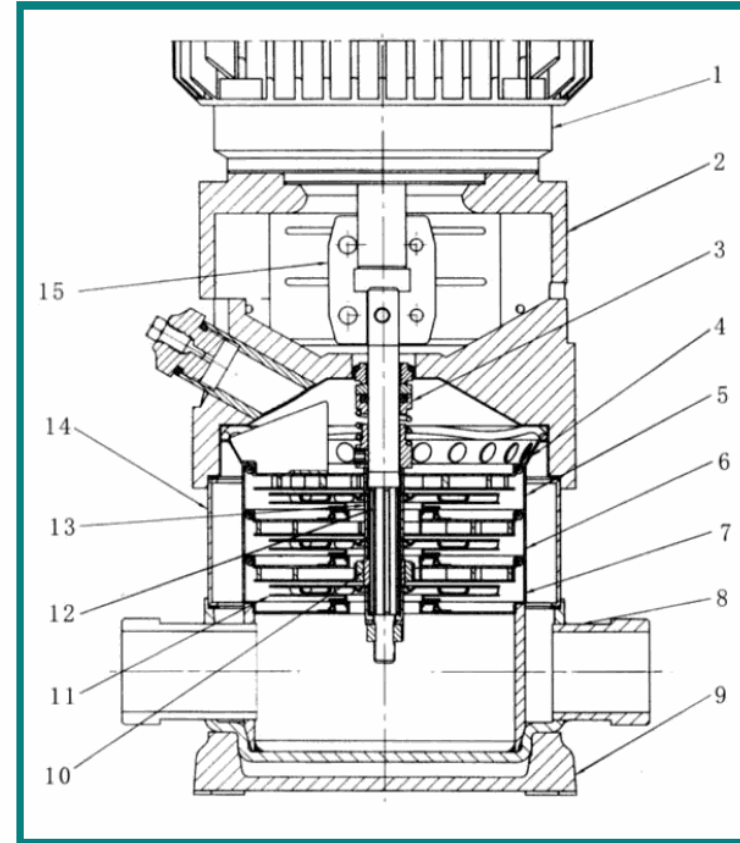
Instructions & Remarks:

- Common type is applicable for liquid conveying, circulation and boosting of clean water

Material CDL 3

No.	Name	Material	AISI/ASTM
1	Electric motor		
2	Pump head	Cast iron	ASTM25B
3	Mechanical steel		
4	Water-out guide vane	Stainless steel	AISI304
5	Support guide vane	Stainless steel	AISI304
6	Guide vane	Stainless steel	AISI304
7	Inducers	Stainless steel	ASTM25B
8	Inlet and outlet section	Stainless steel	AISI304
9	Base frame	Cast iron	
10	Bearing	Tungsten carbide	
11	Impeller	Stainless steel	AISI304
12	Shaft	Stainless steel	AISI316
13	Impeller separating sleeve	Stainless steel	AISI304
14	Pressure-resistant cylinder	Stainless steel	AISI304
15	Coupling	Cast iron	
	Rubber parts	FPM	

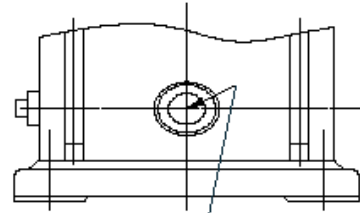
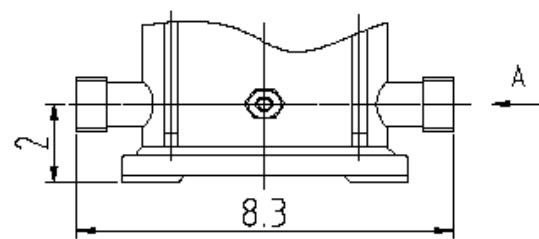
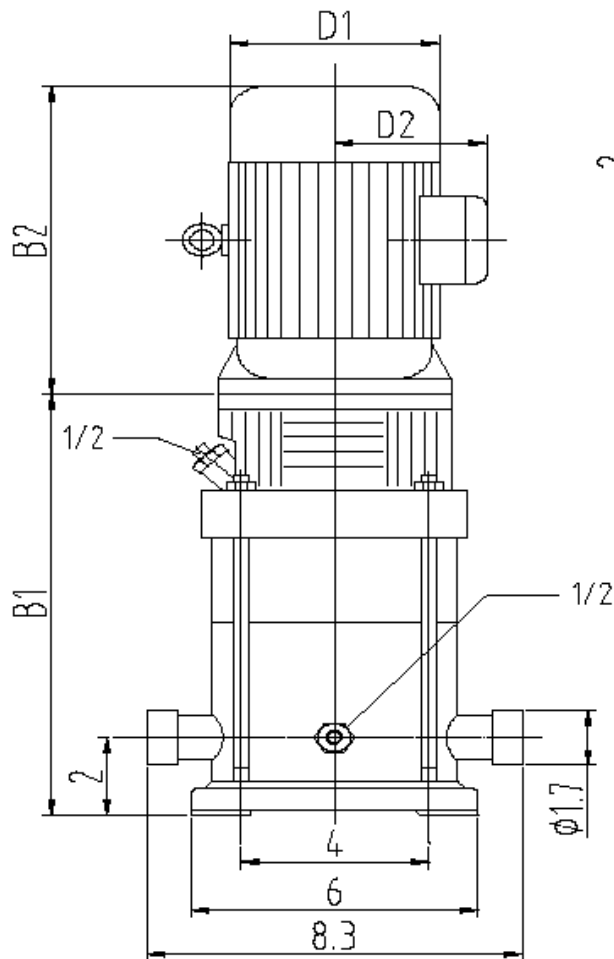
Section Drawing CDL 3



Project :	Capacity:	Frame/Model:
Customer:	Total Head:	Elec. Spec.:
Item No.: 1	Pump Speed: 3500 (RPM)	Service Factor:
Quote No. : US-2522-1	Impeller Dia.: 2.81/2.81 (inch)	Rotation:
Pump Model: Peerless - CDL3	Power:	Enclosure/Type:



Date :



Installation Dimensions

✓ MODEL	Dimension (inches)					
	B1	B2	B1+B2	D1	D2	Wt (lbs)
CDL3-40	10.08	8.27	18.35	5.83	4.61	44.00
CDL3-50	10.98	9.65	20.63	6.69	5.59	49.00
CDL3-70	12.40	9.65	22.05	6.69	5.59	55.00
CDL3-80	13.11	9.65	22.76	6.69	5.59	60.00
CDL3-90	14.49	11.42	25.91	7.48	6.10	66.00
CDL3-110	15.91	11.42	27.33	7.48	6.10	71.00
CDL3-130	17.32	11.42	28.74	7.48	6.10	77.00
CDL3-170	20.18	11.42	31.60	7.48	6.10	82.00

Dimensions in (inch)

Project :	Capacity:	Frame/Model: IEC
Customer:	Total Head:	Elec. Spec.: 208-230/460 V
Item No.: 1	Pump Speed: 3500 (RPM)	Service Factor: 1.0
Quote No. : US-2522-1	Impeller Dia.:	Rotation: Clockwise
Pump Model: Peerless - CDL-3	Power:	Enclosure/Type: Enclosed



Date :
Page No :



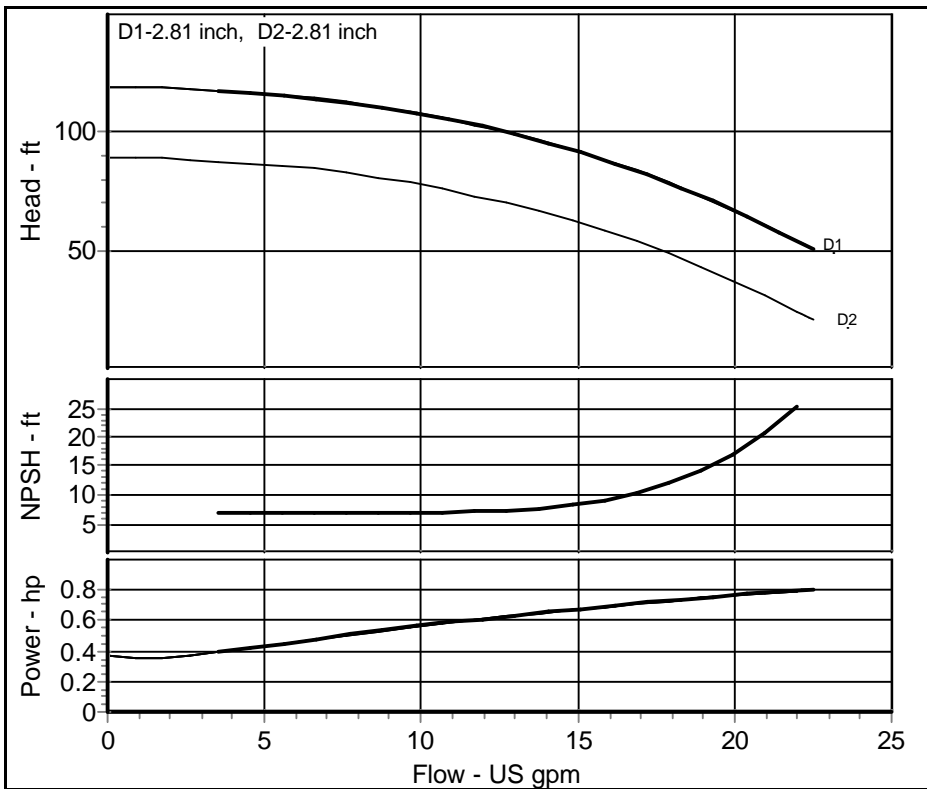
Customer :

Project :
Quote No. :

Contact :
Phone :
Date :
Fax :

Type: **CDL3 - Vertical Close Coupled Diffuser**
 Pump Model: **Peerless - CDL3 40 208-230/460V**
 Nom. Speed: **3500 RPM, 60 Hz Electric**
 Impeller Dia.: **2.81/2.81** inch
 Curve No.: **CDL3-40**
 Market : **Water**

Item :
 Impeller No.: 304
 Fluid: **Water**
 Temperature: **68** °F
 Viscosity: **1.007** cSt
 Sp. Gravity: **1.000**
 Your Ref. :



Min Flow	3.5 US gpm
Max Flow	22.5 US gpm
Nominal Speed	3500 RPM
Min Diameter	2.81 inch
Max Diameter	2.81 inch

Peak Power	0.8 hp
Peak Efficiency	51.9 %
Closed Valve Head	119.08 ft

Comments
 Performance curve represents typical performance. See Standard Hydraulic Performance document in the selective printing area of RAPID for testing tolerances & contractual guarantees.

Flow (US gpm)	Head (ft)	Efficiency (%)	Power Required (hp)	NPSH Required (ft)
3.5	117.8	26.6	0.4	6.8
5.9	115.5	37.5	0.5	6.8
8.3	111.7	44.6	0.5	6.9
10.6	106.3	49.2	0.6	7.0
13.0	99.2	51.5	0.6	7.4
15.4	90.3	51.5	0.7	8.6
17.8	79.3	48.9	0.7	11.7
20.1	66.2	43.8	0.8	17.6
22.5	50.7	35.8	0.8	





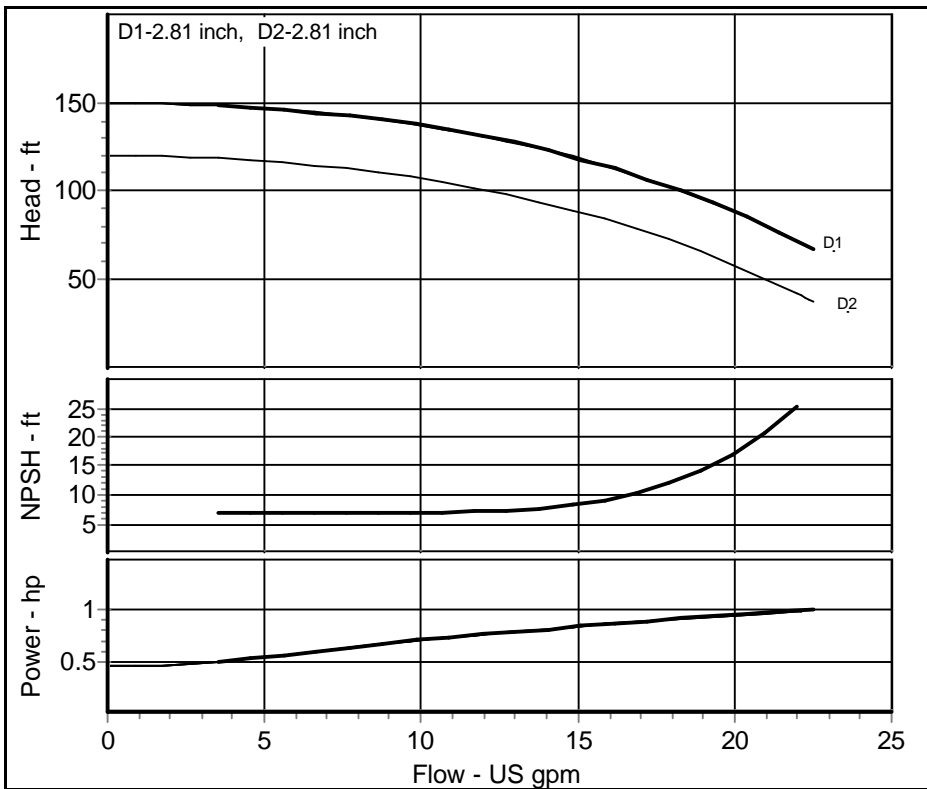
Customer :

Project :
Quote No. :

Contact :
Phone :
Date :
Fax :

Type: **CDL3 - Vertical Close Coupled Diffuser**
 Pump Model: **Peerless - CDL3 50 208-230/460V**
 Nom. Speed: **3500 RPM, 60 Hz Electric**
 Impeller Dia.: **2.81/2.81** inch
 Curve No.: **CDL3-50**
 Market : **Water**

Item :
 Impeller No.: 305
 Fluid: **Water**
 Temperature: **68** °F
 Viscosity: **1.007** cSt
 Sp. Gravity: **1.000**
 Your Ref. :



Min Flow	3.5 US gpm
Max Flow	22.5 US gpm
Nominal Speed	3500 RPM
Min Diameter	2.81 inch
Max Diameter	2.81 inch

Peak Power	1 hp
Peak Efficiency	53.5 %
Closed Valve Head	150 ft

Comments
 Performance curve represents typical performance. See Standard Hydraulic Performance document in the selective printing area of RAPID for testing tolerances & contractual guarantees.

Flow (US gpm)	Head (ft)	Efficiency (%)	Power Required (hp)	NPSH Required (ft)
3.5	148.4	26.7	0.5	6.8
5.9	145.8	37.9	0.6	6.8
8.3	141.6	45.2	0.7	6.9
10.6	135.6	50.2	0.7	7.0
13.0	127.5	52.9	0.8	7.4
15.4	116.9	53.3	0.9	8.6
17.8	103.6	51.1	0.9	11.7
20.1	87.4	46.3	1.0	17.6
22.5	67.8	38.4	1.0	





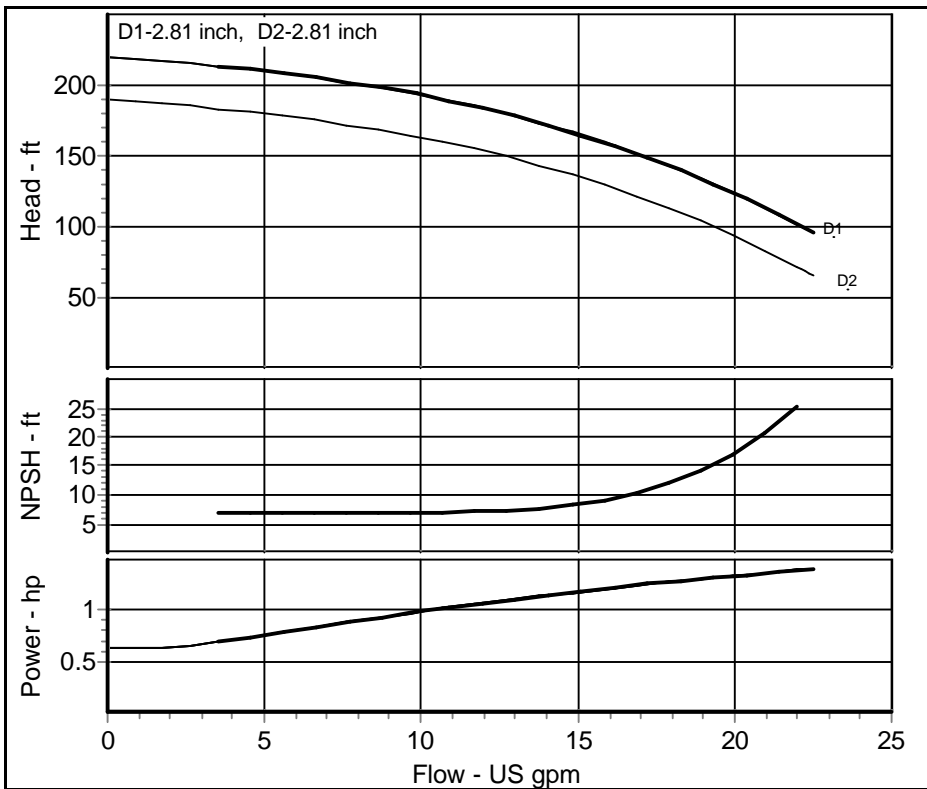
Customer :

Project :
Quote No. :

Contact :
Phone :
Date :
Fax :

Type: **CDL3 - Vertical Close Coupled Diffuser**
 Pump Model: **Peerless - CDL3 70 208-230/460V**
 Nom. Speed: **3500 RPM, 60 Hz Electric**
 Impeller Dia.: **2.81/2.81** inch
 Curve No.: **CDL3-70**
 Market : **Water**

Item :
 Impeller No.: 307
 Fluid: **Water**
 Temperature: **68** °F
 Viscosity: **1.007** cSt
 Sp. Gravity: **1.000**
 Your Ref. :



Min Flow	3.5 US gpm
Max Flow	22.5 US gpm
Nominal Speed	3500 RPM
Min Diameter	2.81 inch
Max Diameter	2.81 inch

Peak Power	1.4 hp
Peak Efficiency	53.4 %
Closed Valve Head	219.74 ft

Comments
 Performance curve represents typical performance. See Standard Hydraulic Performance document in the selective printing area of RAPID for testing tolerances & contractual guarantees.

Flow (US gpm)	Head (ft)	Efficiency (%)	Power Required (hp)	NPSH Required (ft)
3.5	213.3	27.5	0.7	6.8
5.9	207.4	38.5	0.8	6.8
8.3	199.9	45.6	0.9	6.9
10.6	190.3	50.3	1.0	7.0
13.0	178.1	52.8	1.1	7.4
15.4	163.0	53.1	1.2	8.6
17.8	144.5	50.9	1.3	11.7
20.1	122.2	46.3	1.3	17.6
22.5	95.7	38.7	1.4	





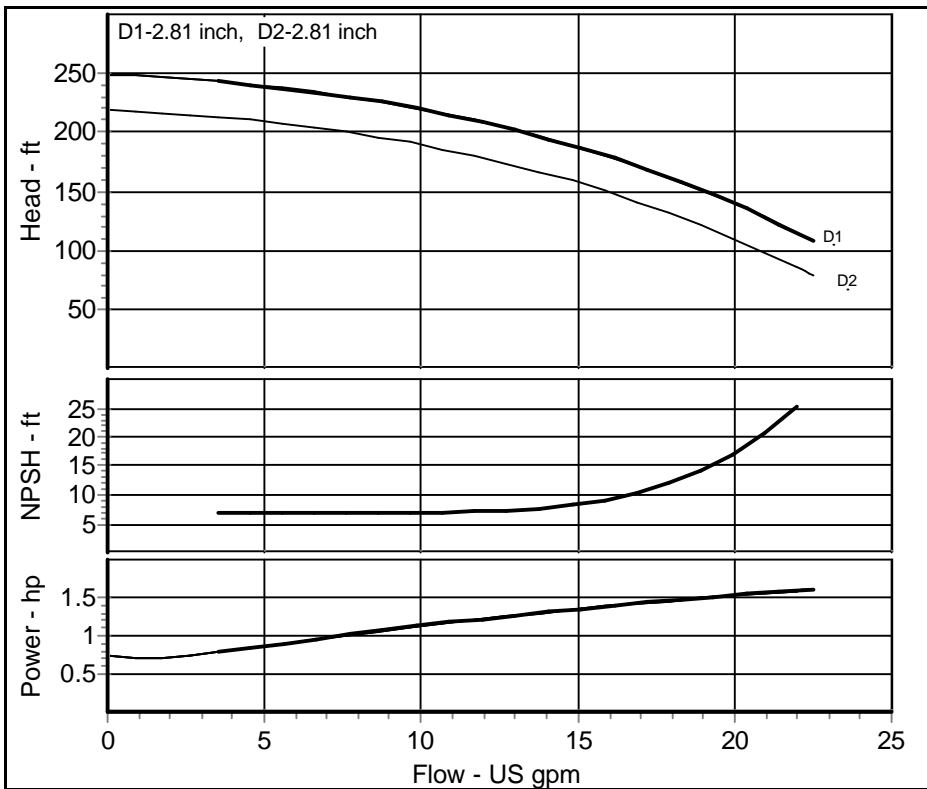
Customer :

Project :
Quote No. :

Contact :
Phone :
Date :
Fax :

Type: **CDL3 - Vertical Close Coupled Diffuser**
 Pump Model: **Peerless - CDL3 80 208-230/460V**
 Nom. Speed: **3500 RPM, 60 Hz Electric**
 Impeller Dia.: **2.81/2.81** inch
 Curve No.: **CDL3-80**
 Market : **Water**

Item :
 Impeller No.: 308
 Fluid: **Water**
 Temperature: **68** °F
 Viscosity: **1.007** cSt
 Sp. Gravity: **1.000**
 Your Ref. :



Min Flow	3.5 US gpm
Max Flow	22.5 US gpm
Nominal Speed	3500 RPM
Min Diameter	2.81 inch
Max Diameter	2.81 inch

Peak Power	1.6 hp
Peak Efficiency	52.8 %
Closed Valve Head	249.13 ft

Comments
 Performance curve represents typical performance. See Standard Hydraulic Performance document in the selective printing area of RAPID for testing tolerances & contractual guarantees.

Flow (US gpm)	Head (ft)	Efficiency (%)	Power Required (hp)	NPSH Required (ft)
3.5	243.1	27.4	0.8	6.8
5.9	236.6	38.4	0.9	6.8
8.3	227.8	45.5	1.0	6.9
10.6	216.3	50.0	1.2	7.0
13.0	201.9	52.4	1.3	7.4
15.4	184.2	52.5	1.4	8.6
17.8	162.9	50.2	1.5	11.7
20.1	137.8	45.7	1.5	17.6
22.5	108.5	38.4	1.6	





Customer :

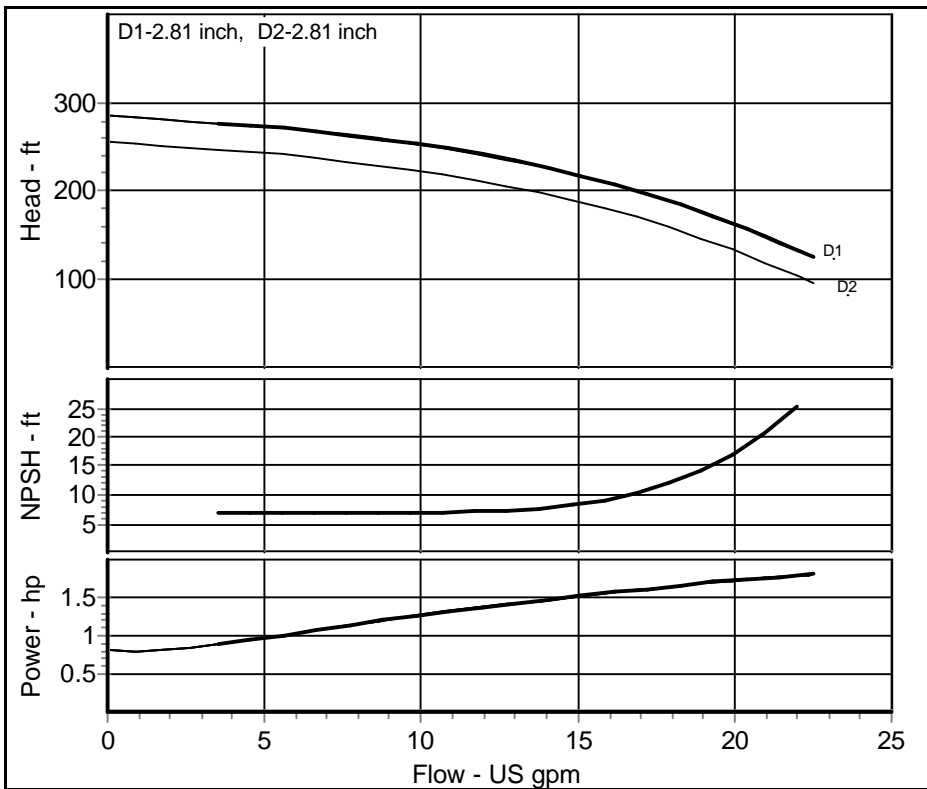
Project :
Quote No. :

Contact :
Phone :
Date :5

Fax :

Type: **CDL3 - Vertical Close Coupled Diffuser**
 Pump Model: **Peerless - CDL3 90 208-230/460V**
 Nom. Speed: **3500 RPM, 60 Hz Electric**
 Impeller Dia.: **2.81/2.81** inch
 Curve No.: **CDL3-90**
 Market : **Water**

Item : **1**
 Impeller No.: 309
 Fluid: **Water**
 Temperature: **68** °F
 Viscosity: **1.007** cSt
 Sp. Gravity: **1.000**
 Your Ref. :



Min Flow	3.5 US gpm
Max Flow	22.5 US gpm
Nominal Speed	3500 RPM
Min Diameter	2.81 inch
Max Diameter	2.81 inch

Peak Power	1.8 hp
Peak Efficiency	54.7 %
Closed Valve Head	285.26 ft

Comments
 Performance curve represents typical performance. See Standard Hydraulic Performance document in the selective printing area of RAPID for testing tolerances & contractual guarantees.

Flow (US gpm)	Head (ft)	Efficiency (%)	Power Required (hp)	NPSH Required (ft)
3.5	277.3	27.8	0.9	6.8
5.9	270.4	39.0	1.0	6.8
8.3	261.4	46.4	1.2	6.9
10.6	249.6	51.3	1.3	7.0
13.0	234.5	54.1	1.4	7.4
15.4	215.2	54.5	1.5	8.6
17.8	191.2	52.4	1.6	11.7
20.1	161.7	47.6	1.7	17.6
22.5	126.1	39.7	1.8	





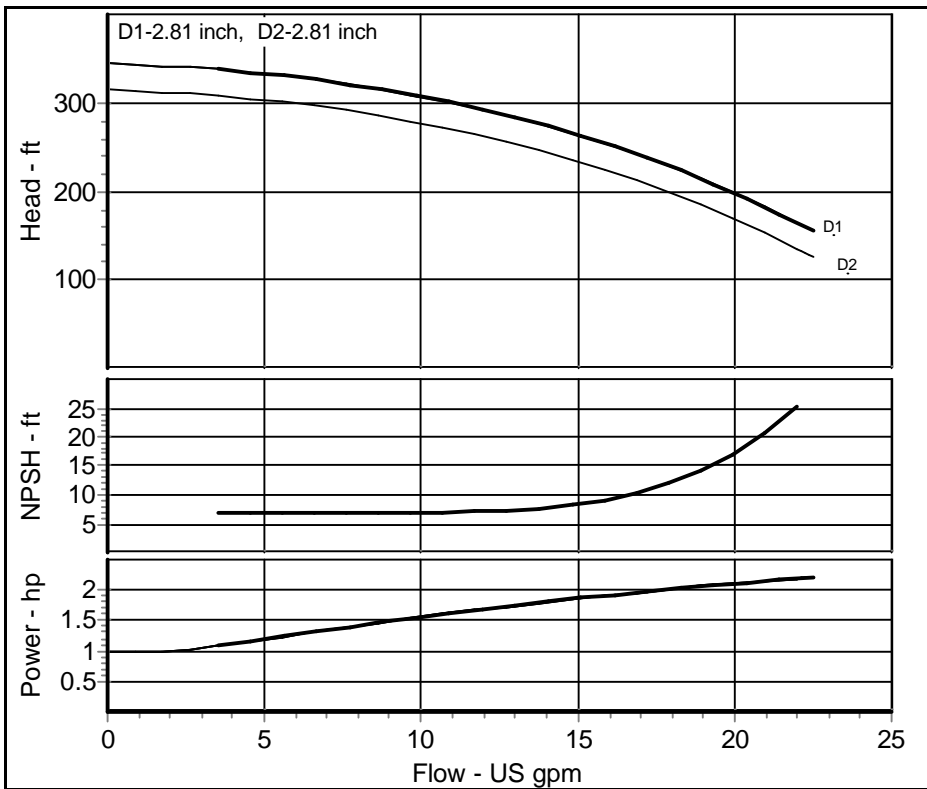
Customer :

Project :
Quote No. :

Contact :
Phone :
Date :
Fax :

Type: **CDL3 - Vertical Close Coupled Diffuser**
 Pump Model: **Peerless - CDL3 110 208-230/460V**
 Nom. Speed: **3500 RPM, 60 Hz Electric**
 Impeller Dia.: **2.81/2.81** inch
 Curve No.: **CDL3-110**
 Market : **Water**

Item : **1**
 Impeller No.: **311**
 Fluid: **Water**
 Temperature: **68** °F
 Viscosity: **1.007** cSt
 Sp. Gravity: **1.000**
 Your Ref. :



Min Flow	3.5 US gpm
Max Flow	22.5 US gpm
Nominal Speed	3500 RPM
Min Diameter	2.81 inch
Max Diameter	2.81 inch

Peak Power	2.2 hp
Peak Efficiency	54.1 %
Closed Valve Head	344.39 ft

Comments
 Performance curve represents typical performance. See Standard Hydraulic Performance document in the selective printing area of RAPID for testing tolerances & contractual guarantees.

Flow (US gpm)	Head (ft)	Efficiency (%)	Power Required (hp)	NPSH Required (ft)
3.5	337.5	27.7	1.1	6.8
5.9	329.5	38.9	1.3	6.8
8.3	318.1	46.2	1.4	6.9
10.6	303.1	51.0	1.6	7.0
13.0	283.8	53.6	1.7	7.4
15.4	259.8	53.8	1.9	8.6
17.8	230.7	51.7	2.0	11.7
20.1	195.9	47.2	2.1	17.6
22.5	155.1	39.9	2.2	





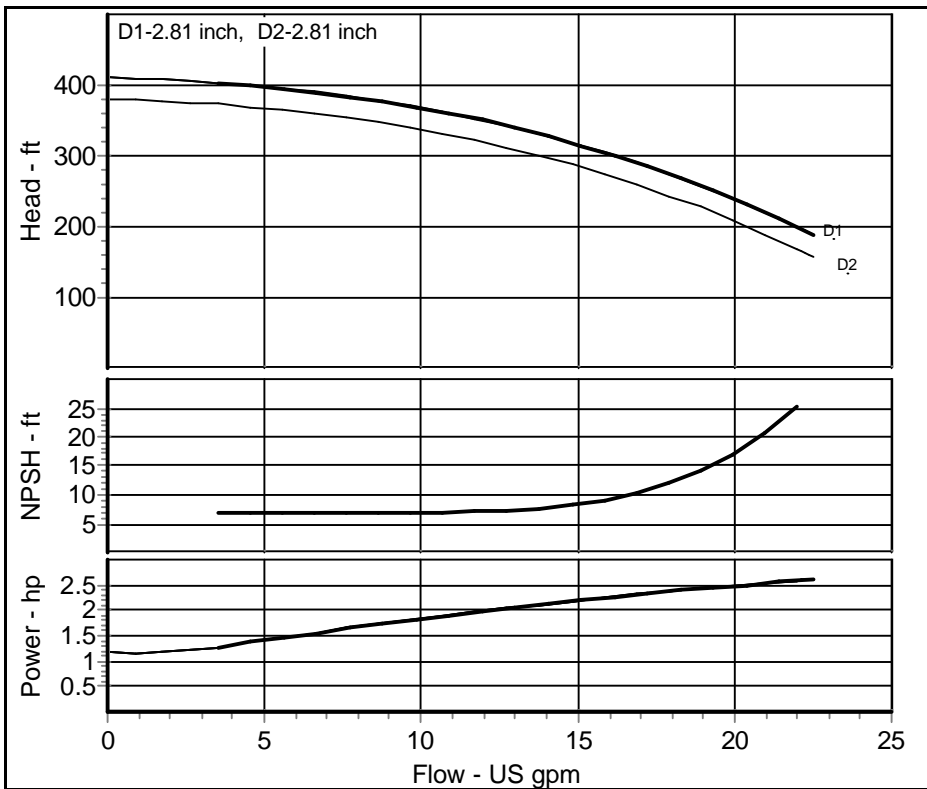
Customer :

Project :
Quote No. :

Contact :
Phone :
Date :
Fax :

Type: **CDL3 - Vertical Close Coupled Diffuser**
 Pump Model: **Peerless - CDL3 130 208-230/460V**
 Nom. Speed: **3500 RPM, 60 Hz Electric**
 Impeller Dia.: **2.81/2.81** inch
 Curve No.: **CDL3-130**
 Market : **Water**

Item : **1**
 Impeller No.: **313**
 Fluid: **Water**
 Temperature: **68** °F
 Viscosity: **1.007** cSt
 Sp. Gravity: **1.000**
 Your Ref. :



Min Flow	3.5 US gpm
Max Flow	22.5 US gpm
Nominal Speed	3500 RPM
Min Diameter	2.81 inch
Max Diameter	2.81 inch

Peak Power	2.6 hp
Peak Efficiency	54.7 %
Closed Valve Head	410.09 ft

Comments
 Performance curve represents typical performance. See Standard Hydraulic Performance document in the selective printing area of RAPID for testing tolerances & contractual guarantees.

Flow (US gpm)	Head (ft)	Efficiency (%)	Power Required (hp)	NPSH Required (ft)
3.5	403.0	27.9	1.3	6.8
5.9	393.7	39.3	1.5	6.8
8.3	380.3	46.7	1.7	6.9
10.6	362.3	51.6	1.9	7.0
13.0	339.3	54.2	2.1	7.4
15.4	310.8	54.5	2.2	8.6
17.8	276.4	52.4	2.4	11.7
20.1	235.7	48.1	2.5	17.6
22.5	188.3	41.0	2.6	





Customer :

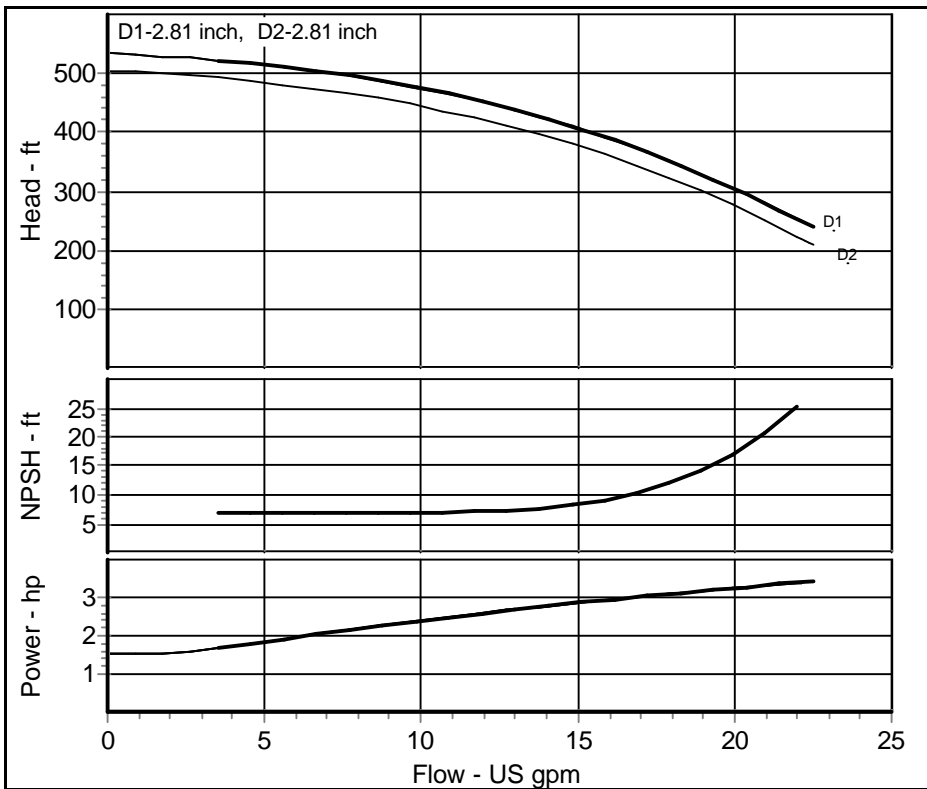
Project :
Quote No. :

Contact :
Phone :
Date :

Fax :

Type: **CDL3 - Vertical Close Coupled Diffuser**
 Pump Model: **Peerless - CDL3 170 208-230/460V**
 Nom. Speed: **3500 RPM, 60 Hz Electric**
 Impeller Dia.: **2.81/2.81** inch
 Curve No.: **CDL3-170**
 Market : **Water**

Item : **1**
 Impeller No.: **317**
 Fluid: **Water**
 Temperature: **68** °F
 Viscosity: **1.007** cSt
 Sp. Gravity: **1.000**
 Your Ref. :



Min Flow	3.5 US gpm
Max Flow	22.5 US gpm
Nominal Speed	3500 RPM
Min Diameter	2.81 inch
Max Diameter	2.81 inch

Peak Power	3.4 hp
Peak Efficiency	54 %
Closed Valve Head	534.64 ft

Comments
 Performance curve represents typical performance. See Standard Hydraulic Performance document in the selective printing area of RAPID for testing tolerances & contractual guarantees.

Flow (US gpm)	Head (ft)	Efficiency (%)	Power Required (hp)	NPSH Required (ft)
3.5	522.6	27.7	1.7	6.8
5.9	509.5	38.9	1.9	6.8
8.3	491.4	46.2	2.2	6.9
10.6	467.7	50.9	2.5	7.0
13.0	437.6	53.5	2.7	7.4
15.4	400.4	53.7	2.9	8.6
17.8	355.3	51.5	3.1	11.7
20.1	301.6	47.0	3.3	17.6
22.5	238.6	39.7	3.4	

