

# LaBour Pumps

HORIZONTAL LVA  
ANSI B73.1 PUMP



**LaBour**   
Taber



## LVA OUTSTANDING FEATURES

ANSI standard flanges, 150# or 300#, flat- or raised-face.

Optional gage or bypass flush connection.

Available alloys include:

Ductile Iron  
316SS & 316L  
304SS & 304L  
317SS  
R-55  
YC (ASTM CX2-MW)  
A-48 (ASTM CD4-MCu)  
Elcomet K (ASTM CN-7M)  
Y-17 (ASTM CW-6M)  
Y-30 (ASTM N-7M)  
Nickel (ASTM CZ-100)  
Titanium (ASTM C-3 & C-8A)

Optional suction gauge connection.

Open impeller with partial shroud handles solids as well as clean liquids. Balance holes ensure low stuffing box pressure. Low Flow and High Flow impellers available on selected models.

Optional drain connection.

Rabbit fits assure concentricity of shaft and stuffing box, prolonging mechanical seal life.

Constant-level oiler, flinger, and sight glass assure proper bearing lubrication; bearings run cooler and longer.

Matched angular contact bearings handle high thrust loads.

Optional for oil mist or grease lubrication.

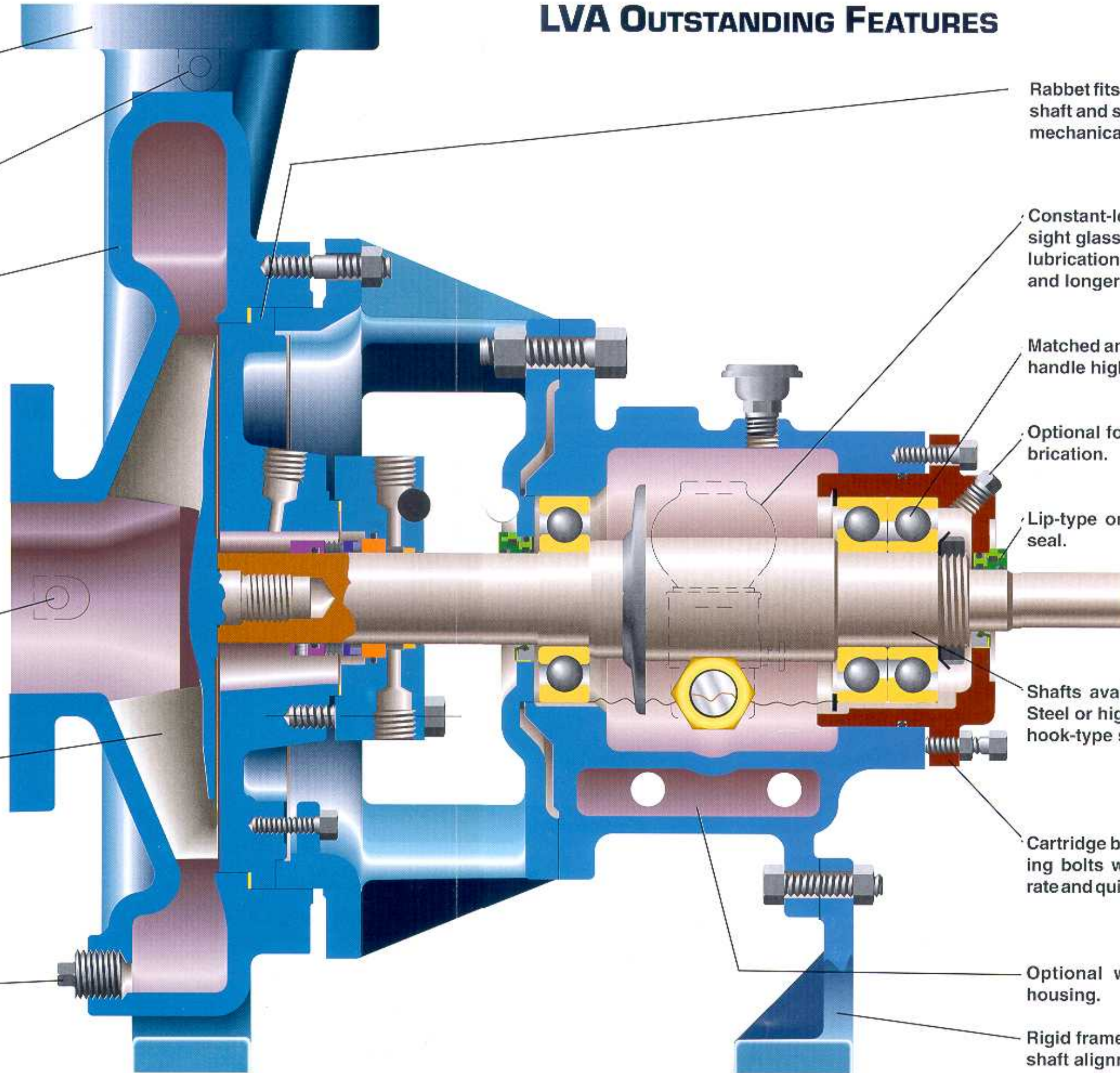
Lip-type or optional labyrinth oil seal.

Shafts available in 316 Stainless Steel or higher alloy, solid or with hook-type sleeve.

Cartridge bearing mount and jacking bolts with shims allow accurate and quick impeller adjustment.

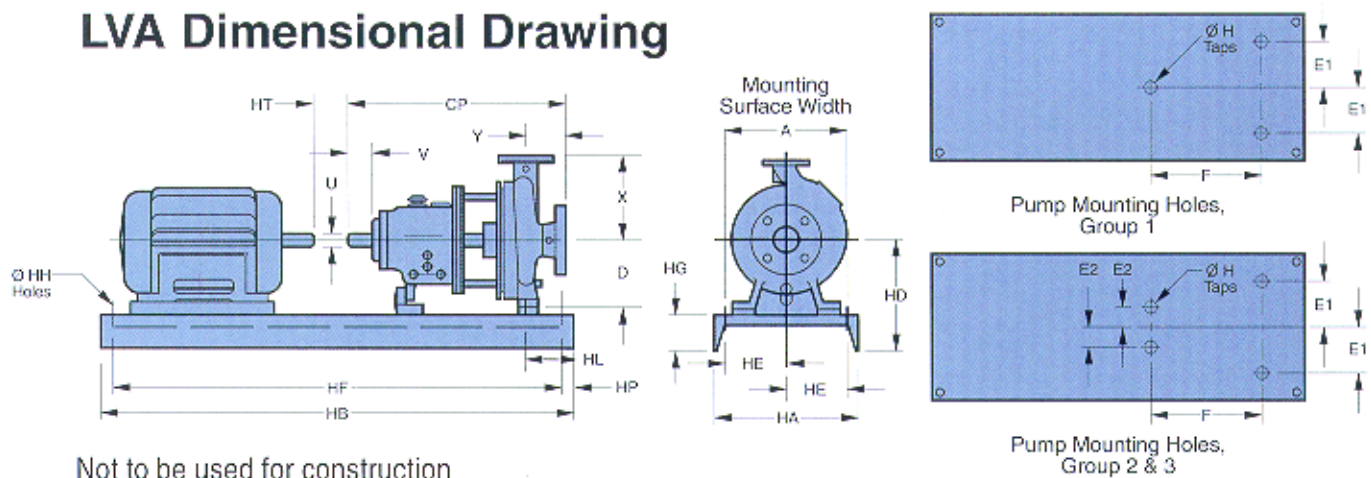
Optional water cooled bearing housing.

Rigid frame foot reduces strain of shaft alignment.





# LVA Dimensional Drawing



Not to be used for construction

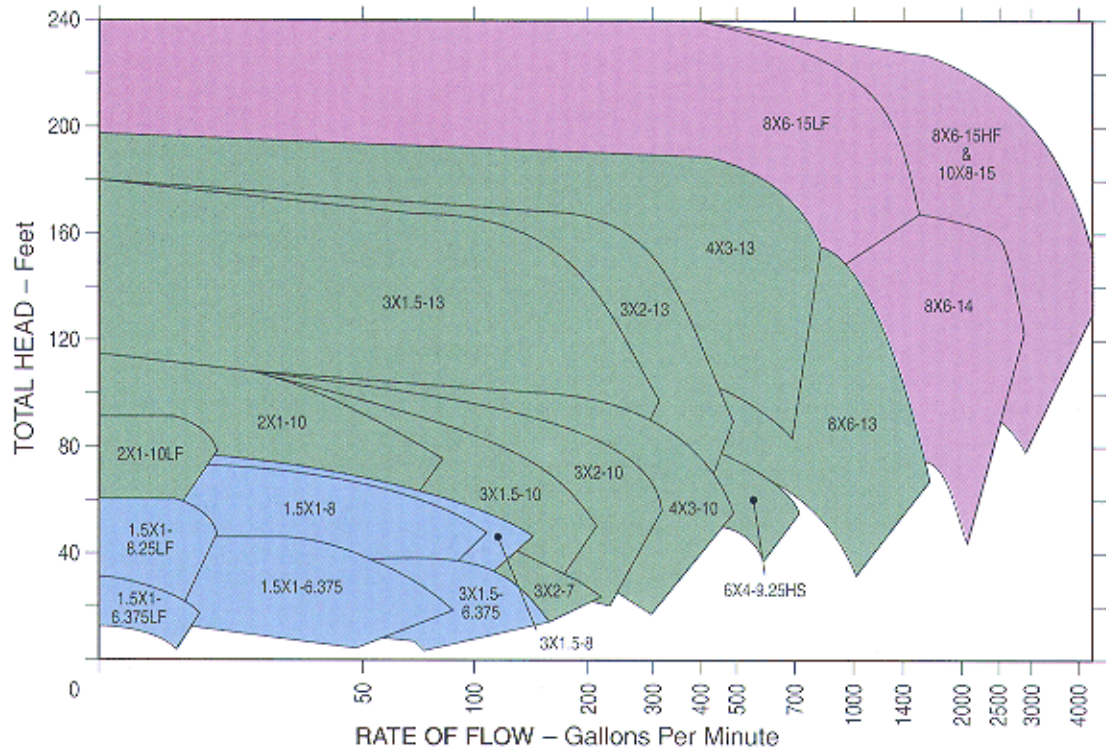
| Pump Group | ASME/ANSI Desig. | LaBour Desig. | Size Suction X Discharge - max imp. Ø | Pump Weight lb. | Pump Dimensions |       |        |        |       |         |       |             |       |       |       |        |      |
|------------|------------------|---------------|---------------------------------------|-----------------|-----------------|-------|--------|--------|-------|---------|-------|-------------|-------|-------|-------|--------|------|
|            |                  |               |                                       |                 | CP in.          | D in. | E1 in. | E2 in. | F in. | H in.   | U     |             | V in. | X in. | Y in. | HT in. |      |
|            |                  |               |                                       |                 |                 |       |        |        |       |         | Ø in. | Keyway in.  |       |       |       |        |      |
| Group 1    | AA               | AA            | 1.5X1-6.375                           | 70              | 17.5            | 5.25  | 3.0    | 0      | 7.25  | 0.05-13 | 0.875 | 0.188X0.094 | 2     | 6.5   | 4     | 3.5    |      |
|            |                  | AALF          | 1.5X1-6.375LF                         |                 |                 |       |        |        |       |         |       |             |       |       |       |        |      |
|            |                  | AA8           | 1.5X1-8                               |                 |                 |       |        |        |       |         |       |             |       |       |       |        |      |
|            |                  | AA8LF         | 1.5X1-8.25LF                          |                 |                 |       |        |        |       |         |       |             |       |       |       |        |      |
|            | AB               | AB            | 3X1.5-6.375                           | 85              |                 |       |        |        |       |         |       |             |       |       |       |        |      |
| AB8        |                  | 3X1.5-8       |                                       |                 |                 |       |        |        |       |         |       |             |       |       |       |        |      |
| Group 2    | A05              | A05           | 2X1-10                                | 220             | 23.5            | 8.25  | 4.88   | 3.63   | 12.5  | 0.05-13 | 1.125 | 0.25X0.125  | 2.6   | 12.5  | 4     | 3.5    |      |
|            |                  | A05LF         | 2X1-10LF                              |                 |                 |       |        |        |       |         |       |             |       |       |       |        |      |
|            | A10              | A10           | 3X2-7                                 | 280             |                 | 10.0  |        |        |       |         |       |             |       |       |       |        | 10.5 |
|            | A20              | A20           | 3X1.5-13                              |                 |                 |       |        |        |       |         |       |             |       |       |       |        |      |
|            | A30              | A30           | 3X2-13                                | 320             |                 | 8.5   |        |        |       |         |       |             |       |       |       |        |      |
|            | A40              | A40           | 4X3-13                                |                 |                 |       |        |        |       |         |       |             |       |       |       |        | 220  |
|            | A50              | A50           | 3X1.5-10                              | 230             |                 | 10.0  |        |        |       |         |       |             |       |       |       |        |      |
|            | A60              | A60           | 3X2-10                                |                 |                 |       |        |        |       |         |       |             |       |       |       |        | 245  |
|            | A70              | A70           | 4X3-10                                | 340             |                 | 1.625 |        |        |       |         |       |             |       |       |       |        |      |
| A80        | A80              | 6X4-13        |                                       |                 |                 |       |        |        |       |         |       |             |       |       |       |        |      |
|            | A80HS            | 6X4-9.25HS    |                                       |                 |                 |       |        |        |       |         |       |             |       |       |       |        |      |
| Group 3    | A90              | A90           | 8X6-14                                | 650             | 33.9            | 14.5  | 8.0    | 4.5    | 18.75 | 0.75-10 | 2.375 | 0.625X0.313 | 4     | 16    | 6     | 5      |      |
|            |                  | A90LF         | 8X6-15LF                              |                 |                 |       |        |        |       |         |       |             |       |       |       |        |      |
|            |                  | A90HF         | 8X6-15HF                              |                 |                 |       |        |        |       |         |       |             |       |       |       |        |      |
|            | A120             | A120          | 10X8-15                               | 750             |                 |       |        |        |       |         |       |             |       | 19    |       |        |      |

| max NEMA Frame | Baseplate Number | Baseplate Dimensions |            |        |                 |        |       |        |        |        |            |        |        |        |
|----------------|------------------|----------------------|------------|--------|-----------------|--------|-------|--------|--------|--------|------------|--------|--------|--------|
|                |                  | A min in.            | HA max in. | HB in. | HD max (Note 1) |        |       |        | He in. | HF in. | HG max in. | HH in. | HL in. | HP in. |
|                |                  |                      |            |        | D=5.25          | D=8.25 | D=10  | D=14.5 |        |        |            |        |        |        |
| 184T           | 139              | 12                   | 15         | 39     | 9               | ...    | ...   | ...    | 4.5    | 36.5   | 3.75       | 0.75   | 4.5    | 1.25   |
| 256T           | 148              | 15                   | 18         | 48     | 10.50           | ...    | ...   | ...    | 6      | 45.5   | 4.13       |        |        |        |
| 326TS          | 153              | 18                   | 21         | 53     | 12.88           | ...    | ...   | ...    | 7.5    | 50.5   | 4.75       |        |        |        |
| 184T           | 245              | 12                   | 15         | 45     | ...             | 12     | 13.75 | ...    | 4.5    | 42.5   | 3.75       | 0.75   | 4.5    | 1.25   |
| 215T           | 252              | 15                   | 18         | 52     | ...             | 12.38  | 14.13 | ...    | 6      | 49.5   | 4.13       |        |        |        |
| 286T           | 258              | 18                   | 21         | 58     | ...             | 13     | 14.75 | ...    | 7.5    | 55.5   | 4.75       |        |        |        |
| 365T           | 264              |                      |            | 64     | ...             | 13.88  |       | ...    |        | 61.5   |            |        |        |        |
| 405TS          | 268              | 22                   | 26         | 68     | ...             | 14.88  | 14.88 | ...    | 9.5    | 65.5   |            |        |        |        |
| 449TS          | 280              |                      |            | 80     | ...             | 15.88  | 15.88 | ...    |        | 77.5   |            |        |        |        |
| 286T           | 368              |                      |            | 68     | ...             | ...    | ...   | 65.5   |        |        |            |        |        |        |
| 405T           | 380              | 22                   | 26         | 80     | ...             | ...    | ...   | 19.25  | 9.5    | 77.5   | 4.75       | 1      | 6.5    | 1.25   |
| 449T           | 398              |                      |            | 98     | ...             | ...    | ...   |        |        | 95.5   |            |        |        |        |

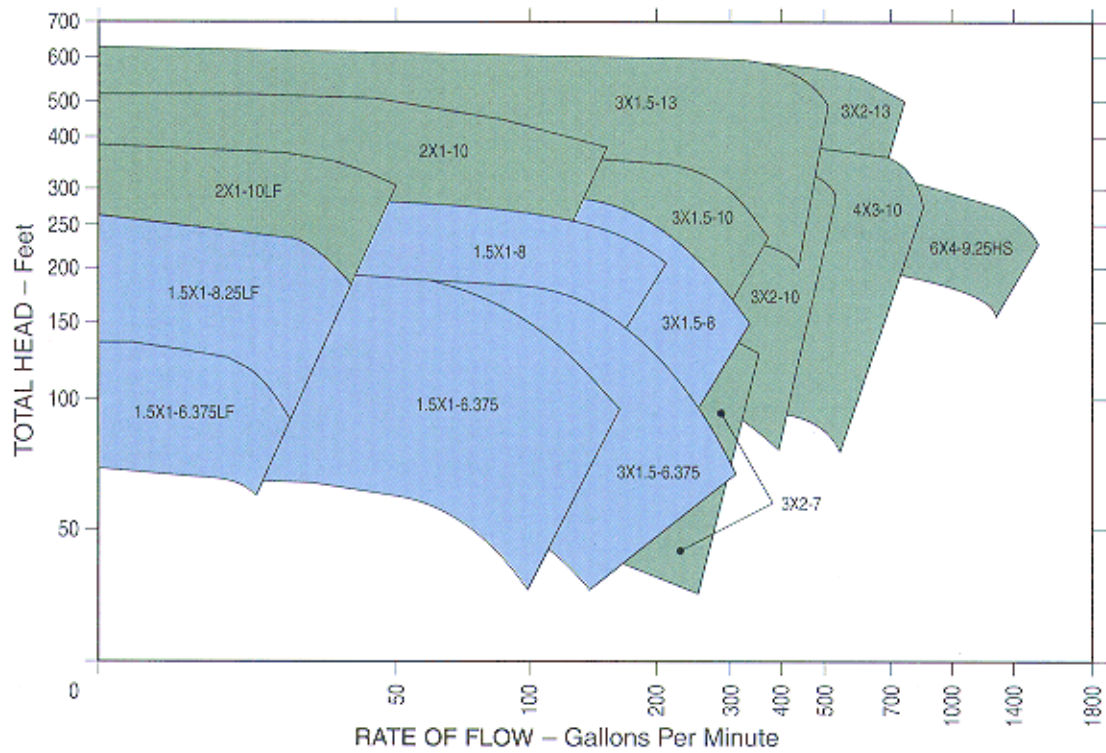
NOTE:  
1. HD dimension includes 0.13 in. shimming allowance where motor height controls.



# LVA Range Charts



## 1750 RPM



## 3500 RPM

Group: ■ S ■ L ■ XL



## VERTICAL

Designs ideal for a wide range of applications from water to process liquids — or even molten materials.

**1000 Series:** Single Stage  
Center-Line Casing

**2000 Series:** Two Stage

**3000 Series:** Triple-Throat,  
Tangential Discharge

**8000 Series:** Triple-Throat,  
Center-Line Discharge

**9000 Series:** Cantilever



## HORIZONTAL

A range of models for transfer, circulation, or process applications designed to handle a wide range of liquids from water to acids.

**Alpha Series (LVA):** ANSI Standard, Back Pull-Out

**Tri-Alpha Series (TFA):** ANSI Standard, Triple-Throat

**DPL/DHL Series:**  
Self-Primer, Valve-Less

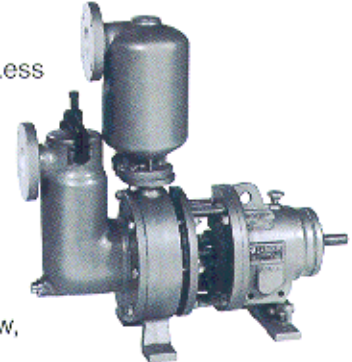
**LPL/LHL Series:**  
Self-Primer,  
Back Pull-Out

**G Series:**  
Packing-Less,  
Self Primer

**DZT Series:** Low-Flow,  
Concentric Casing

**Q Series:** Triple-Throat

**MHL/MPL Series:**  
Metallic, Self-Primer



## OPTIONS

The following accessories are available:

### Dry Run Protector

- Minimize Potential Pump Damage
- Adjustable Current Settings
- Adjustable Time Delay

### Non-Metallic ANSI Base Plate

- Corrosion Resistant Materials
- Positive Equipment Mounting
- ANSI Standard Dimensions

### Ease-Align™

- No Motor Bolt Binding
- Use with All LaBour Base Plates
- Range of Sizes & Materials

### Large Bore Stuffing Box

- Better Flushing of Solids
- Greater Heat Transfer
- Available: Straight, Tapered or Stepped

### Shaft Sleeve

- Replaceable Hook Sleeves Simplify Seal Changes
- Save Money in Services such as Slurries

### Labyrinth Oil Seal

- Prevents Contaminants from Entering Bearing Housing

