



**INFORMATION**

**GENERAL DESCRIPTION**

1. Vertical shaft turbine type fire pumps are used to supply water under pressure for automatic sprinkler, deluge, standpipe, hydrant and foam fire fighting systems. They are primarily intended for use in fire protection installations involving a water supply source below ground level, where the use of a horizontal fire pump is either undesirable or impractical. They are required for installations where suction lifts are involved.
2. The vertical turbine fire pumps covered by this section comply in every respect with the requirements of National Fire Protection Association (NFPA) Pamphlet No. 20. They are listed by Underwriters Laboratories, Inc. (UL), ULC Underwriters Laboratories of Canada, and approved by Factory Mutual Research Corporation (FM).
  - a. Pump is required to deliver a minimum of 150% of rated capacity at 65% of rated head.
  - b. The shut-off pressure may not exceed 140% of the rated head.
  - c. Hydrostatic test is required to twice "the maximum pressure developed at shut-off", but never less than 250 psig. Both the discharge casting and bowl assembly must be so tested.
  - d. Column sections may not exceed 10 feet in length.
  - e. Line shaft may be either open or enclosed. Enclosed line shaft is required when the distance from the pump head to the static water level exceeds 50 feet.
  - f. A non-ferrous strainer is required.
  - g. 1800 rpm is recommended as the maximum pump speed.
  - h. Motors and gears shall be direct connected of the vertical hollow shaft type. The motor or gear shall be equipped with an anti-reverse ratchet.
3. Fire pumps should not be quoted or ordered until the conditions under which they are to be

installed and used have been examined by the insurance authority having jurisdiction. The pump, fittings, driver, control, power supply, water supply, and arrangement must be approved by that organization.

4. The electric motor sizes shown on selection charts conform to standards of NFPA Pamphlet No. 20 being UL Listed and in the case of weather protected, Type 1 motors, are based on full utilization of the 15% service factor. They will usually be acceptable to FIA, and to FM when selections are made from the proper motor column. It is always advisable, prior to quoting, to discuss all aspects of fire pump installation, including motor size, with the authority having jurisdiction. In the case of Factory Mutual jurisdiction, this is a definite necessity.

Since final authority rests entirely with the authority having jurisdiction, Peerless Pump Company can assume no responsibility for their acceptance of motor sizes shown.

The following table for maximum horsepower loading on weather protected Type 1 motors with 1.15 service factors.

MOTOR hp RATING	MAXIMUM PUMP hp	MOTOR hp RATING	MAXIMUM PUMP hp
10	11.50	125	143.75
15	17.25	150	172.50
20	23.00	200	230.00
25	28.75	250	287.50
30	34.50	300	345.00
40	46.00	350	402.50
50	57.50	400	460.00
60	69.00	450	517.50
75	86.25	500	575.00
100	115.00	600	690.00

*Subject to change without notice*



**INFORMATION *Continued***

5. All list prices are based on factory choice of VHS motor.  
Controller manufacturer may be specified at customer's option (Refer to Section 1500/1600).
6. All the selections shown in this section are for sump installation only. ***Refer to the factory if the pump will be installed in a well.*** Advise the expected water level at: 0 - GPM, 100% rated GPM, 150% rated GPM. Changes can be expected in the column and shaft size, discharge head assembly size, down thrust, driver size, type strainer, submergence, number of pump stages, and column construction.
7. It is anticipated that following listed selections will cover approximately 90% of the application requirements. Applications not indicated in the list price selection tables must be referred to the factory. This includes all steam turbine driven fire pump applications.
8. First pick the pump and note the Pump Gear Bhp and Pump Down Thrust and Bare Pump List Price required from following pump selection tables for diesel engines. Then proceed to select the Engine-Right Angle Gear Component Drive Package from following Engine-Right Angle Gear Component Drive Package Selection and Unit List Price tables and select drive package using the pump down thrust value which is to be equal or less than Max/Pump Gear Down Thrust value shown and the Pump/Gear Bhp value which is to be equal or less than Max/Pump Gear Bhp value in component tables. If elevation and temperature do not match values in tables engine Bhp must be derated and check to assure that derated Bhp exceeds Pump/Gear Bhp. See (10) below.
10. For Diesel Engine Bhp table and for engine derating information for temperature and altitude refer to pages 48.10 and 48.11 of Section 1610



**Pump Selection Information**

- 1) The pumps listed on the following selection table pages are suitable for **sump duty installations** when the distance from the static water level to the bottom of discharge head is **50 feet or less**, refer to the factory for special construction pricing adders when this distance is more than 50 feet or when pump is to be installed in a well.
- 2) The pump units are shipped assembled less top shaft, motor or right angle gear when overall length is 20 feet or less.
- 3) Electric motors and right angle gears are normally shipped direct to any location within the contiguous USA with freight charges added to invoice. If order specifies consolidated shipment from factory or is for export or shipment outside contiguous USA, refer to the factory for price additions for incoming freight charges to factory for these items.
- 4) The **BOWL HEAD FEET** (*from selection tables*) = **(DISCHARGE PRESSURE IN PSI) x 2.31 + (DISTANCE FROM DISCHARGE HEAD'S DISCHARGE FLANGE CENTERLINE TO TOP BOWL CONNECTION IN FEET) + (FRICTION LOSS IN FEET FOR COLUMN PIPE AND DISCHARGE HEAD)** (*from Table A on pages 4 or 5 of Section 1610*).

**Example:**

A UL Listed 2000 GPM motor drive vertical turbine fire pump with discharge pressure of **125 psi** (measured at head discharge flange centerline) and top bowl connection is **9 feet** below head discharge flange centerline.

From selection table on page 24 of Section 1610 a pump model 14MDF is required for 2000 GPM service. The BOWL HEAD FEET required is calculated as follows:

$$(125 \text{ psi} \times 2.31) + 9.0 \text{ Feet} + 1.92 \text{ Feet} = 299.67 \text{ bowl head feet}$$

The nearest bowl head feet selection shown in tables is 300 feet which would require a 200 Hp motor.

- 5) The **MAXIMUM DISCHARGE ASSEMBLY WORKING PRESSURE** = **(SHUT-OFF HEAD IN PSI)** (*from page 24 Section 1610 of selection tables*) - **(DISTANCE FROM HEAD'S DISCHARGE FLANGE CENTERLINE TO OPERATING LEVEL IN FEET)/2.31**

**Example:**

*(Same as above, from the selection table the shut-off head in psi at bowl head of 300 feet is 164 psi and operating water level is 8 feet below centerline of discharge flange.)*

$$164 \text{ psi} - 8 \text{ Feet}/2.31 = 160.6 \text{ psi}$$

Therefore the 175 psi maximum working pressure discharge head assembly is suitable for the application.

- 6) Vertical turbine fire pumps are constructed having some components of special materials and unit list prices are not subject to deductions for omission of drivers, gears or flexible drive shafts or addition of special materials from vertical pump sales manual. Refer to the factory for pricing of units not conforming to standard unit descriptions.

VERTICAL TURBINE FIRE PUMPS  
Electric Motor or Diesel Engine Driven



Peerless Pump Company  
Indianapolis, IN 46207-7026

VERTICAL TURBINE FIRE PUMP HEAD/COLUMN HYDRAULIC FRICTION LOSSES (SOURCE - SECTION 135 PAGE 6 AND 11 OF VERTICAL PUMP SALES MANUAL)										
DISCH FLANGE CENTER- LINE TO PUMP TOP BOWL CONNECT- ION IN FEET	PUMP MODEL									
	8MAF	10MAF	10MAF	10MAF	12MBF 12LDF	12MBF 12LDF	12MBF	14MCF 14MDF	14MCF 14MDF	14MDF
	US GALLONS PER MINUTE									
	250	500	500	500	750	750	1000	1500	1500	1500
	DISCHARGE HEAD ASSEMBLY SIZE									
	4 x 4 x 10C	6 x 6 x 12	6 x 8 x 16.5	6 x 8 x 16.5	8 x 8 x 16.5	8 x 8 x 16.5	8 x 8 x 16.5	10 x 10 x 16.5 & 20	10 x 10 x 16.5 & 20	10 x 10 x 16.5 & 20
	OLS COLUMN PIPE & SHAFT SIZE									
4 x 1-3/16	6 x 1-3/16	6 x 1-3/16	6 x 1-1/2	8 x 1-1/2	8 x 1-11/16	8 x 1-1/2	10 x 1-1/2	10 x 1-15/16	10 x 2-3/16	
TOTAL HYDRAULIC FRICTION LOSS IN FEET 1.0 SPECIFIC GRAVITY										
6.00	2.61	1.02	0.97	1.08	0.67	0.74	1.19	0.99	1.02	1.05
7.00	2.89	1.07	1.02	1.15	0.70	0.77	1.23	1.01	1.05	1.08
8.00	3.17	1.12	1.07	1.22	0.72	0.80	1.27	1.03	1.07	1.11
9.00	3.45	1.17	1.12	1.29	0.74	0.83	1.31	1.05	1.10	1.14
10.00	3.73	1.22	1.17	1.36	0.77	0.87	1.35	1.07	1.12	1.17
11.00	4.01	1.27	1.22	1.43	0.79	0.90	1.39	1.09	1.15	1.20
12.00	4.29	1.32	1.27	1.50	0.81	0.93	1.43	1.11	1.17	1.23
13.00	4.57	1.37	1.32	1.57	0.83	0.96	1.47	1.13	1.20	1.26
14.00	4.85	1.42	1.37	1.64	0.86	0.99	1.51	1.15	1.22	1.29
15.00	5.13	1.47	1.42	1.71	0.88	1.03	1.55	1.17	1.25	1.32
16.00	5.41	1.52	1.47	1.77	0.90	1.06	1.58	1.19	1.27	1.35
17.00	5.69	1.57	1.52	1.84	0.93	1.09	1.62	1.21	1.30	1.38
18.00	5.97	1.62	1.57	1.91	0.95	1.12	1.66	1.23	1.32	1.41
19.00	6.25	1.67	1.62	1.98	0.97	1.15	1.70	1.25	1.35	1.44
20.00	6.53	1.72	1.67	2.05	1.00	1.19	1.74	1.27	1.37	1.47
21.00	6.81	1.77	1.72	2.12	1.02	1.22	1.78	1.29	1.40	1.50
22.00	7.09	1.82	1.77	2.19	1.04	1.25	1.82	1.31	1.42	1.53
23.00	7.37	1.87	1.82	2.26	1.06	1.28	1.86	1.33	1.45	1.56
24.00	7.65	1.92	1.87	2.33	1.09	1.31	1.90	1.35	1.47	1.59
25.00	7.93	1.97	1.92	2.40	1.11	1.35	1.94	1.37	1.50	1.62
26.00	8.21	2.02	1.97	2.46	1.13	1.38	1.97	1.39	1.52	1.65
27.00	8.49	2.07	2.02	2.53	1.16	1.41	2.01	1.41	1.55	1.68
28.00	8.77	2.12	2.07	2.60	1.18	1.44	2.05	1.43	1.57	1.71
29.00	9.05	2.17	2.12	2.67	1.20	1.47	2.09	1.45	1.60	1.74
30.00	9.33	2.22	2.17	2.74	1.23	1.51	2.13	1.47	1.62	1.77
31.00	9.61	2.27	2.22	2.81	1.25	1.54	2.17	1.49	1.65	1.80
32.00	9.89	2.32	2.27	2.88	1.27	1.57	2.21	1.51	1.67	1.83
33.00	10.45	2.42	2.37	3.02	1.32	1.63	2.29	1.55	1.72	1.89
34.00	10.73	2.47	2.42	3.09	1.34	1.67	2.33	1.57	1.75	1.92
35.00	11.01	2.52	2.47	3.15	1.36	1.70	2.36	1.59	1.77	1.95
36.00	11.29	2.57	2.52	3.22	1.39	1.73	2.40	1.61	1.80	1.98
37.00	11.57	2.62	2.57	3.29	1.41	1.76	2.44	1.63	1.82	2.01
38.00	11.85	2.67	2.62	3.36	1.43	1.79	2.48	1.65	1.85	2.04
39.00	12.13	2.72	2.67	3.43	1.46	1.83	2.52	1.67	1.87	2.07
40.00	12.41	2.77	2.72	3.50	1.48	1.86	2.56	1.69	1.90	2.10
41.00	12.69	2.82	2.77	3.57	1.50	1.89	2.60	1.71	1.92	2.13
42.00	12.69	2.82	2.77	3.57	1.50	1.89	2.60	1.71	1.92	2.13
43.00	12.97	2.87	2.82	3.64	1.52	1.92	2.64	1.73	1.95	2.16
44.00	13.25	2.92	2.87	3.71	1.55	1.95	2.68	1.75	1.97	2.19
45.00	13.53	2.97	2.92	3.78	1.57	1.99	2.72	1.77	2.00	2.22
46.00	13.81	3.02	2.97	3.84	1.59	2.02	2.75	1.79	2.02	2.25
47.00	14.09	3.07	3.02	3.91	1.62	2.05	2.79	1.81	2.05	2.28
48.00	14.37	3.12	3.07	3.98	1.64	2.08	2.83	1.83	2.07	2.31
49.00	14.65	3.17	3.12	4.05	1.66	2.11	2.87	1.85	2.10	2.34
50.00	14.93	3.22	3.17	4.12	1.69	2.15	2.91	1.87	2.12	2.37

Subject to change without notice



<b>VERTICAL TURBINE FIRE PUMP HEAD/COLUMN HYDRAULIC FRICTION LOSSES (SOURCE - SECTION 135 PAGE 6 AND 11 OF VERTICAL PUMP SALES MANUAL)</b>									
<b>DISCH FLANGE CENTER- LINE TO PUMP TOP BOWL CONNECT- ION IN FEET</b>	<b>PUMP MODEL</b>								
	14MDF	14MDF	14MDF	16HXBF	16HXBF	18HXBF	20HXBF	20HXBF	20HXBF
	<b>US GALLONS PER MINUTE</b>								
	2000	2000	2000	2500	3000	3500	3000	4000	4500
	<b>DISCHARGE HEAD ASSEMBLY SIZE</b>								
	10 x 10 x 16.5 & 20	10 x 10 x 16.5 & 20	10 x 10 x 16.5 & 20	12 x 12 x 20	12 x 12 x 20	12 x 12 x 20	14 x 14 x 24.5	14 x 14 x 24.5	14 x 14 x 24.5
	<b>OLS COLUMN PIPE &amp; SHAFT SIZE</b>								
	10 x 1-1/2	10 x 1-15/16	10 x 2-3/16	12 x 1-15/16	12 x 1-15/16	12 x 1-15/16	14 x 2-3/16	14 x 2-3/16	14 x 2-3/16
	<b>TOTAL HYDRAULIC FRICTION LOSS IN FEET 1.0 SPECIFIC GRAVITY</b>								
	6.00	1.75	1.79	1.85	1.31	1.90	2.57	1.25	2.22
7.00	1.79	1.83	1.90	1.34	1.93	2.62	1.27	2.25	2.83
8.00	1.82	1.88	1.96	1.36	1.96	2.66	1.29	2.29	2.87
9.00	1.86	1.92	2.01	1.39	2.00	2.71	1.31	2.32	2.91
10.00	1.89	1.96	2.06	1.41	2.03	2.75	1.33	2.35	2.95
11.00	1.93	2.00	2.11	1.43	2.06	2.80	1.35	2.38	2.99
12.00	1.96	2.04	2.16	1.46	2.10	2.84	1.37	2.41	3.03
13.00	2.00	2.09	2.22	1.48	2.13	2.89	1.39	2.45	3.07
14.00	2.03	2.13	2.27	1.51	2.16	2.93	1.41	2.48	3.11
15.00	2.07	2.17	2.32	1.53	2.20	2.98	1.43	2.51	3.15
16.00	2.10	2.21	2.37	1.55	2.23	3.02	1.44	2.54	3.19
17.00	2.14	2.25	2.42	1.58	2.26	3.07	1.46	2.57	3.23
18.00	2.17	2.30	2.48	1.60	2.29	3.11	1.48	2.61	3.27
19.00	2.21	2.34	2.53	1.63	2.33	3.16	1.50	2.64	3.31
20.00	2.24	2.38	2.58	1.65	2.36	3.20	1.52	2.67	3.35
21.00	2.28	2.42	2.63	1.67	2.39	3.25	1.54	2.70	3.39
22.00	2.31	2.46	2.68	1.70	2.43	3.29	1.56	2.73	3.43
23.00	2.35	2.51	2.74	1.72	2.46	3.34	1.58	2.77	3.47
24.00	2.38	2.55	2.79	1.75	2.49	3.38	1.60	2.80	3.51
25.00	2.42	2.59	2.84	1.77	2.53	3.43	1.62	2.83	3.55
26.00	2.45	2.63	2.89	1.79	2.56	3.47	1.63	2.86	3.59
27.00	2.49	2.67	2.94	1.82	2.59	3.52	1.65	2.89	3.63
28.00	2.52	2.72	3.00	1.84	2.62	3.56	1.67	2.93	3.67
29.00	2.56	2.76	3.05	1.87	2.66	3.61	1.69	2.96	3.71
30.00	2.59	2.80	3.10	1.89	2.69	3.65	1.71	2.99	3.75
31.00	2.63	2.84	3.15	1.91	2.72	3.70	1.73	3.02	3.79
32.00	2.66	2.88	3.20	1.94	2.76	3.74	1.75	3.05	3.83
33.00	2.70	2.93	3.26	1.96	2.79	3.79	1.77	3.09	3.87
34.00	2.73	2.97	3.31	1.99	2.82	3.83	1.79	3.12	3.91
35.00	2.77	3.01	3.36	2.01	2.86	3.88	1.81	3.15	3.95
36.00	2.80	3.05	3.41	2.03	2.89	3.92	1.82	3.18	3.99
37.00	2.84	3.09	3.46	2.06	2.92	3.97	1.84	3.21	4.03
38.00	2.87	3.14	3.52	2.08	2.95	4.01	1.86	3.25	4.07
39.00	2.91	3.18	3.57	2.11	2.99	4.06	1.88	3.28	4.11
40.00	2.94	3.22	3.62	2.13	3.02	4.10	1.90	3.31	4.15
41.00	2.98	3.26	3.67	2.15	3.05	4.15	1.92	3.34	4.19
42.00	3.01	3.30	3.72	2.18	3.09	4.19	1.94	3.37	4.23
43.00	3.05	3.35	3.78	2.20	3.12	4.24	1.96	3.41	4.27
44.00	3.08	3.39	3.83	2.23	3.15	4.28	1.98	3.44	4.31
45.00	3.12	3.43	3.88	2.25	3.19	4.33	2.00	3.47	4.35
46.00	3.15	3.47	3.93	2.27	3.22	4.37	2.01	3.50	4.39
47.00	3.19	3.51	3.98	2.30	3.25	4.42	2.03	3.53	4.43
48.00	3.22	3.56	4.04	2.32	3.28	4.46	2.05	3.57	4.47
49.00	3.26	3.60	4.09	2.35	3.32	4.51	2.07	3.60	4.51
50.00	3.29	3.64	4.14	2.37	3.35	4.55	2.09	3.63	4.55

**VERTICAL TURBINE FIRE PUMPS**  
Electric Motor or Diesel Engine Driven



**VERTICAL TURBINE FIRE PUMP MODIFICATIONS**

All sizes of vertical turbine fire pumps of the types of construction listed below can be furnished with the **UL** (Underwriters Laboratories) or **FM** (Factory Mutual) labels. **ULC** (Underwriters Laboratories of Canada) labeled pumps with these modifications **are not available**.

<b>BOWL ASSEMBLY</b>	<b>UL Listed</b>	<b>FM Approved</b>
Impellers	SAE 63 Bronze, Ni-Resist, ASTM B148-952 Aluminum Bronze, ASTM B148-955 Bronze, 316 SS, Nickel-Aluminum-Bronze	SAE 63 Bronze, ASTM B148-952 Aluminum Bronze, Nickel-Aluminum-Bronze
Bowls	SAE 63 Bronze, Ni-Resist, ASTM B148-952 Aluminum Bronze, ASTM B148-955 Bronze, 316 SS, Nickel-Aluminum-Bronze	-
Impeller Shaft	Monel 500K, Nitronic 50 ASTM 276 Stainless Steel	Monel 500K
<b>FLANGED COLUMN</b>	<b>UL Listed</b>	<b>FM Approved</b>
Column Pipe	SAE 63 Bronze, ASTM B148-952 Aluminum Bronze, Nickel-Aluminum-Bronze, Ni-Resist, Steel Epoxy Coated, 316 SS	SAE 63 Bronze, ASTM B148-952 Aluminum Bronze, Nickel-Aluminum-Bronze, Steel Epoxy Coated, 316 SS
Bearing Spiders	SAE 63 Bronze, ASTM B148-952 Aluminum Bronze, Nickel-Aluminum-Bronze, Ni-Resist, 316 SS	SAE 63 Bronze, ASTM B148-952 Aluminum Bronze, Nickel-Aluminum-Bronze, 316 SS
Line Shaft	Monel K500, Nitronic 50 ASTM 276 Stainless Steel	Monel 500K
Line Shaft Couplings	Monel K500, Nitronic 50	-
<b>DISCHARGE HEAD</b>	<b>UL Listed</b>	<b>FM Approved</b>
Discharge Head	SAE 63 Bronze, Ni-Resist, Cast Iron Epoxy Coated, ASTM B148-952 Aluminum Bronze, 316 SS, Nickel-Aluminum-Bronze	Cast Iron Epoxy Coated
Packing Box Assembly	SAE 63 Bronze, Ni-Resist, Aluminum Bronze, 316 SS, Nickel-Aluminum-Bronze	Aluminum Bronze, 316 SS, Nickel-Aluminum-Bronze
Top Shaft	Monel K500, Nitronic 50 ASTM 276 Stainless Steel	Monel 500K
<b>STRAINER</b>	<b>UL Listed</b>	<b>FM Approved</b>
Strainer (Basket or cone type)	SAE 63 Bronze, 316 SS	SAE 63 Bronze, ASTM B148-952 Aluminum Bronze, Nickel-Aluminum-Bronze, 316 SS
<b>FIRE PUMP FITTINGS</b>	<b>UL Listed</b>	<b>FM Approved</b>
Air vent, relief valve, gauges, headers, hose valves & overflow cones	Standard construction (same as fresh water).	Standard construction (same as fresh water).
<b>ENGINE</b>	<b>UL Listed</b>	<b>FM Approved</b>
Heat Exchanger	Standard heat exchanger is suitable for fresh or sea water service	Standard heat exchanger is suitable for fresh or sea water service
Cooling Water Piping	316 stainless steel piping; bronze strainer and regulator with Monel internal parts	316 stainless steel piping; bronze strainer and regulator with Monel internal parts
Solenoid valve	Solenoid valve will not be furnished.	Solenoid valve will not be furnished.
<b>RIGHT ANGLE GEAR</b>	<b>UL Listed</b>	<b>FM Approved</b>
Cooling coil	Gear manufacturer's standard for marine service	Gear manufacturer's standard for marine service
Cooling piping	316 stainless steel	316 stainless steel
<b>ENGINE CONTROLLER</b>	<b>UL Listed</b>	<b>FM Approved</b>
Wetted Parts	316 stainless steel	316 stainless steel

**IMPORTANT**

Modifications are limited to items above. Any other modifications such as; cast iron impellers, mechanical seals, etc., **will void the UL, ULC or FM label**.

Modifications are limited to the individual pump capabilities as determined by the Fullerton Proposal Department. Contact the Fullerton Proposal Department to determine which modifications are required. Inquiry must include pump model, rated head and rated flow.

*Subject to change without notice.*



**VERTICAL TURBINE FIRE PUMPS  
60 HZ ELECTRIC MOTOR DRIVEN  
1760 RPM PUMP**

*60 Hertz Motor Drive*

US GPM	BOWL HEAD FEET (MEASURED AT TOP BOWL OUTLET NOT DISCHARGE FLG)	BOWL HEAD PSI (MEASURED AT TOP BOWL OUTLET NOT DISCHARGE FLG)	DISCHARGE HEAD MAXIMUM WORKING PRESSURE	DISCHARGE HEAD SIZE	PUMP MODEL	NO OF PUMP STGS	COLUMN SHAFT SIZE	PUMP DOWN THRUST LB.	SHUT OFF HEAD FEET	SHUT OFF HEAD PSI	PUMP MAX BHP	WPI MOTOR HP UL LISTED PUMP	WPI MOTOR HP ULC LISTED PUMP	WPI MOTOR HP FM APPROVED PUMP
250	92	40	175	4x4x10C	8MAF	4	1.19	322	120	52	8.4	7.5	7.5	7.5
250	116	50	175	4x4x10C	8MAF	5	1.19	406	150	65	11.0	15	15	15
250	139	60	175	4x4x10C	8MAF	6	1.19	487	180	78	14.0	15	15	15
250	162	70	175	4x4x10C	8MAF	6	1.19	560	210	91	16.0	15	15	15
250	185	80	175	4x4x10C	8MAF	7	1.19	641	240	104	19.0	20	20	20
250	208	90	175	4x4x10C	8MAF	8	1.19	721	267	116	22.0	20	20	20
250	231	100	175	4x4x10C	8MAF	9	1.19	802	297	129	24.0	25	25	25
250	254	110	175	4x4x10C	8MAF	10	1.19	883	328	142	26.0	25	25	25
250	277	120	175	4x4x10C	8MAF	10	1.19	956	358	155	27.0	25	25	25
250	289	125	175	4x4x10C	8MAF	11	1.19	1002	374	162	28.0	30	30	30
250	300	130	175	4x4x10C	8MAF	11	1.19	1037	388	168	30.0	30	30	30
250	323	140	175	4x4x10C	8MAF	12	1.19	1118	418	181	31.0	30	30	30
250	323	140	400	4x4x10CHP	8MAF	12	1.19	1118	418	181	31.0	30	30	30
500	116	50	175	6x6x12S	10MAF	3	1.19	909	139	60	21.4	20	20	20
500	127	55	175	6x6x12S	10MAF	3	1.19	991	157	68	24.7	25	25	25
500	139	60	175	6x6x12S	10MAF	4	1.19	1077	164	71	25.6	25	25	25
500	150	65	175	6x6x12S	10MAF	4	1.19	1134	175	76	27.0	25	25	25
500	162	70	175	6x6x12S	10MAF	4	1.19	1222	196	85	30.7	30	30	30
500	173	75	175	6x6x12S	10MAF	4	1.19	1285	212	92	32.9	30	30	30
500	185	80	175	6x6x12S	10MAF	5	1.19	1372	216	94	32.9	30	30	30
500	196	85	175	6x6x12S	10MAF	5	1.19	1447	234	101	36.2	40	40	40
500	208	90	175	6x6x12S	10MAF	5	1.19	1521	252	109	39.0	40	40	40
500	219	95	175	6x6x12S	10MAF	5	1.19	1593	270	117	41.6	40	40	40
500	231	100	175	6x6x12S	10MAF	6	1.19	1679	274	119	41.5	40	40	40
500	243	105	175	6x6x12S	10MAF	6	1.19	1760	293	127	45.3	40	40	40
500	254	110	175	6x6x12S	10MAF	6	1.19	1829	310	134	47.3	50	50	50
500	266	115	175	6x6x12S	10MAF	7	1.19	1916	314	136	47.7	50	50	50
500	277	120	175	6x6x12S	10MAF	7	1.19	1985	331	143	51.0	50	50	50
500	289	125	175	6x6x12S	10MAF	7	1.19	2060	350	152	53.0	50	50	50
500	300	130	175	6x6x12S	10MAF	7	1.19	2129	366	158	56.1	50	50	50
500	312	135	175	6x6x12S	10MAF	8	1.19	2221	372	161	56.0	50	50	50
500	323	140	175	6x6x12S	10MAF	9	1.19	2359	374	162	57.3	50	50	50
500	335	145	175	6x6x12S	10MAF	8	1.19	2367	407	176	62.0	60	60	60
500	335	145	320	6x8x16.5SHP	10MAF	8	1.19	2367	407	176	62.0	60	60	60
500	347	150	175	6x6x12S	10MAF	8	1.19	2442	426	184	65.3	60	60	60
500	347	150	320	6x8x16.5SHP	10MAF	8	1.19	2442	426	184	65.3	60	60	60
500	358	155	175	6x6x12S	10MAF	9	1.19	2578	428	185	64.6	60	60	60
500	358	155	320	6x8x16.5SHP	10MAF	9	1.19	2578	428	185	64.6	60	60	60
500	370	160	175	6x6x12S	10MAF	9	1.19	2653	447	194	67.8	60	60	60
500	370	160	320	6x8x16.5SHP	10MAF	9	1.19	2653	447	194	67.8	75	75	75
500	381	165	320	6x8x16.5SHP	10MAF	9	1.19	2722	463	200	71.1	75	75	75
500	393	170	320	6x8x16.5SHP	10MAF	9	1.19	2810	485	210	74.4	75	75	75
500	404	175	320	6x8x16.5SHP	10MAF	10	1.19	2891	487	211	73.8	75	75	75
500	416	180	320	6x8x16.5SHP	10MAF	10	1.19	2966	505	219	77.6	75	75	75
500	427	185	320	6x8x16.5SHP	10MAF	10	1.19	3035	522	226	80.2	75	75	75
500	439	190	320	6x8x16.5SHP	10MAF	11	1.19	3123	527	228	79.5	75	75	75
500	450	195	320	6x8x16.5SHP	10MAF	11	1.19	3192	543	235	82.4	75	75	75
500	462	200	320	6x8x16.5SHP	10MAF	11	1.19	3267	561	243	86.2	75	75	75
500	474	205	320	6x8x16.5SHP	10MAF	12	1.19	3354	566	245	85.3	75	75	75
500	485	210	320	6x8x16.5SHP	10MAF	13	1.50	3539	567	245	85.7	75	75	75
500	497	215	320	6x8x16.5SHP	10MAF	14	1.50	3467	560	242	85.4	75	75	75
500	497	215	320	6x8x16.5SHP	10MAF	12	1.50	3511	604	261	91.6	100	100	100
500	497	215	350	6x8x16.5SHP	10MAF	12	1.50	3511	604	261	91.6	100	100	N.A.
500	508	220	320	6x8x16.5SHP	10MAF	12	1.50	3580	621	269	94.5	100	100	100
500	508	220	350	6x8x16.5SHP	10MAF	12	1.50	3580	621	269	94.5	100	100	N.A.
500	520	225	320	6x8x16.5SHP	10MAF	12	1.50	3654	639	277	97.8	100	100	100
500	520	225	350	6x8x16.5SHP	10MAF	12	1.50	3654	639	277	97.8	100	100	N.A.
500	531	230	320	6x8x16.5SHP	10MAF	13	1.50	3842	640	277	97.4	100	100	100
500	531	230	350	6x8x16.5SHP	10MAF	13	1.50	3842	640	277	97.4	100	100	N.A.
500	543	235	320	6x8x16.5SHP	10MAF	13	1.50	3923	660	286	100.5	100	100	100
500	543	235	350	6x8x16.5SHP	10MAF	13	1.50	3923	660	286	100.5	100	100	N.A.
500	554	240	320	6x8x16.5SHP	10MAF	13	1.50	3992	677	293	103.4	100	100	100
500	554	240	350	6x8x16.5SHP	10MAF	13	1.50	3992	677	293	103.4	100	100	N.A.
500	566	245	320	6x8x16.5SHP	10MAF	13	1.50	4067	695	301	106.7	100	100	100
500	566	245	350	6x8x16.5SHP	10MAF	13	1.50	4067	695	301	106.7	100	100	N.A.



**VERTICAL TURBINE FIRE PUMPS  
60 HZ ELECTRIC MOTOR DRIVEN  
1760 RPM PUMP**

*60 Hertz Motor Drive*

US GPM	BOWL HEAD FEET (MEASURED AT TOP BOWL OUTLET NOT DISCHARGE FLG)	BOWL HEAD PSI (MEASURED AT TOP BOWL OUTLET NOT DISCHARGE FLG)	DISCHARGE HEAD MAXIMUM WORKING PRESSURE	DISCHARGE HEAD SIZE	PUMP MODEL	NO OF PUMP STGS	COLUMN SHAFT SIZE	PUMP DOWN THRUST LB.	SHUT OFF HEAD FEET	SHUT OFF HEAD PSI	PUMP MAX BHP	WPI MOTOR HP UL LISTED PUMP	WPI MOTOR HP ULC LISTED PUMP	WPI MOTOR HP FM APPROVED PUMP
500	578	250	320	6x8x16.5SHP	10MAF	14	1.50	4154	700	303	106.2	100	100	100
500	578	250	350	6x8x16.5SHP	10MAF	14	1.50	4154	700	303	106.2	100	100	N.A.
500	589	255	320	6x8x16.5SHP	10MAF	14	1.50	4223	716	310	109.1	100	100	100
500	589	255	350	6x8x16.5SHP	10MAF	14	1.50	4223	716	310	109.1	100	100	N.A.
500	601	260	320	6x8x16.5SHP	10MAF	14	1.50	4311	699	303	109.2	100	100	100
500	601	260	350	6x8x16.5SHP	10MAF	14	1.50	4299	734	318	112.7	100	100	N.A.
500	601	260	350	6x8x16.5SHP	10MAF	15	1.50	4311	699	303	109.2	100	100	N.A.
500	612	265	320	6x8x16.5SHP	10MAF	15	1.50	4355	748	324	114.7	125	125	125
500	612	265	350	6x8x16.5SHP	10MAF	14	1.50	4355	748	324	114.7	100	100	N.A.
500	612	265	350	6x8x16.5SHP	10MAF	14	1.50	4355	748	324	114.7	125	125	N.A.
500	624	270	350	6x8x16.5SHP	10MAF	15	1.50	4445	756	327	114.8	100	100	N.A.
500	635	275	350	6x8x16.5SHP	10MAF	15	1.50	4499	746	323	114.9	100	100	N.A.
500	647	280	350	6x8x16.5SHP	10MAF	15	1.50	4599	790	342	121.3	125	125	N.A.
500	658	285	350	6x8x16.5SHP	10MAF	15	1.50	4678	810	351	123.9	125	125	N.A.
500	670	290	350	6x8x16.5SHP	10MAF	15	1.50	4832	810	351	124.0	125	125	N.A.
500	681	295	350	6x8x16.5SHP	10MAF	16	1.50	4850	810	351	124.0	125	125	N.A.
500	693	300	350	6x8x16.5SHP	10MAF	16	1.50	4862	838	363	135.0	125	N.A.	N.A.
500	704	305	350	6x8x16.5SHP	10MAF	16	1.50	4931	854	370	138.0	125	N.A.	N.A.
500	711	308	350	6x8x16.5SHP	10MAF	16	1.50	4949	837	362	137.0	125	N.A.	N.A.
750	92	40	175	6x8x16.5S	12MBF	2	1.50	1336	117	51	25.0	25	25	25
750	104	45	175	6x8x16.5S	12MBF	2	1.50	1461	129	56	30.0	30	30	30
750	116	50	175	6x8x16.5S	12MBF	2	1.50	1597	138	60	33.0	30	30	30
750	127	55	175	6x8x16.5S	12MBF	3	1.50	1733	162	70	34.0	30	30	30
750	139	60	175	6x8x16.5S	12MBF	3	1.50	1859	176	76	39.0	40	40	40
750	150	65	175	6x8x16.5S	12MBF	3	1.50	1974	186	81	42.0	40	40	40
750	162	70	175	6x8x16.5S	12MBF	3	1.50	2099	194	84	44.0	40	40	40
750	173	75	175	6x8x16.5S	12MBF	3	1.50	2214	209	90	49.0	50	50	50
750	185	80	175	6x8x16.5S	12MBF	3	1.50	2340	220	95	55.0	50	50	50
750	196	85	175	6x8x16.5S	12MBF	4	1.50	2476	240	104	52.0	50	50	50
750	208	90	175	6x8x16.5S	12MBF	4	1.50	2612	252	109	57.0	50	50	50
750	219	95	175	6x8x16.5S	12MBF	4	1.50	2748	276	119	57.0	50	50	50
750	231	100	175	6x8x16.5S	12MBF	4	1.50	2852	278	120	67.0	60	60	60
750	240	104	175	6x8x16.5S	12MBF	4	1.50	2604	277	120	66.0	60	60	60
750	250	108	175	6x8x16.5S	12MBF	4	1.50	2709	287	124	70.0	75	75	75
750	260	113	175	6x8x16.5S	12MBF	5	1.50	2835	313	135	68.0	60	60	60
750	270	117	175	6x8x16.5S	12MBF	5	1.50	2940	318	138	70.0	75	75	75
750	280	121	175	6x8x16.5S	12MBF	5	1.50	3045	329	142	75.0	75	75	75
750	290	126	175	6x8x16.5S	12MBF	5	1.50	3150	335	145	77.0	75	75	75
750	300	130	175	6x8x16.5S	12MBF	5	1.50	3255	347	150	82.0	75	75	75
750	310	134	175	6x8x16.5S	12MBF	5	1.50	3360	359	155	88.0	100	100	100
750	320	139	175	6x8x16.5S	12MBF	5	1.50	3460	370	160	92.0	100	100	100
750	330	143	175	6x8x16.5S	12MBF	6	1.50	3591	392	170	90.0	100	100	100
750	340	147	175	6x8x16.5S	12MBF	6	1.50	3696	399	173	92.0	100	100	100
750	350	152	175	6x8x16.5S	12MBF	6	1.50	3801	410	177	96.0	100	100	100
750	360	156	175	6x8x16.5S	12MBF	6	1.50	3906	421	182	101.0	100	100	100
750	360	156	320	6x8x16.5SHP	12MBF	6	1.50	3906	421	182	101.0	100	100	100
750	370	160	175	6x8x16.5S	12MBF	6	1.50	4011	430	186	105.0	100	100	100
750	370	160	320	6x8x16.5SHP	12MBF	6	1.50	4011	430	186	105.0	100	100	100
750	380	165	175	6x8x16.5S	12MBF	6	1.50	4116	439	190	109.0	100	100	100
750	380	165	320	6x8x16.5SHP	12MBF	6	1.50	4116	439	190	109.0	100	100	100
750	390	169	320	6x8x16.5SHP	12MBF	7	1.50	4242	463	200	107.0	100	100	100
750	400	173	320	6x8x16.5SHP	12MBF	7	1.50	4347	470	203	110.0	100	100	100
750	410	177	320	6x8x16.5SHP	12MBF	7	1.50	4452	480	208	110.0	100	100	100
750	420	182	320	6x8x16.5SHP	12MBF	7	1.50	4557	490	212	117.0	125	125	125
750	430	186	320	6x8x16.5SHP	12MBF	7	1.50	4662	500	216	121.0	125	125	125
750	440	190	320	6x8x16.5SHP	12MBF	7	1.50	4767	510	221	126.0	125	125	125
750	450	195	320	6x8x16.5SHP	12MBF	7	1.50	4872	520	225	130.0	125	125	125
750	460	199	320	6x8x16.5SHP	12MBF	8	1.50	4998	541	234	126.0	125	125	125
750	470	203	320	6x8x16.5SHP	12MBF	8	1.50	5103	551	239	131.0	125	125	125
750	480	208	320	6x8x16.5SHP	12MBF	8	1.50	5208	561	243	134.0	125	125	125
750	490	212	320	6x8x16.5SHP	12MBF	8	1.50	5313	569	246	139.0	125	125	125
750	500	216	320	6x8x16.5SHP	12MBF	8	1.50	5418	583	252	143.0	150	150	150
750	500	216	350	6x8x16.5SHP	12MBF	8	1.50	5418	583	252	143.0	125	125	N.A.
750	500	216	350	6x8x16.5SHP	12MBF	8	1.50	5418	583	252	143.0	150	150	N.A.
750	510	221	320	6x8x16.5SHP	12MBF	9	1.50	5544	602	261	140.0	150	150	150



**VERTICAL TURBINE FIRE PUMPS  
60 HZ ELECTRIC MOTOR DRIVEN DRIVEN  
1760 RPM PUMP**

*60 Hertz Motor Drive*

US GPM	BOWL HEAD FEET (MEASURED AT TOP BOWL OUTLET NOT DISCHARGE FLG)	BOWL HEAD PSI (MEASURED AT TOP BOWL OUTLET NOT DISCHARGE FLG)	DISCHARGE HEAD MAXIMUM WORKING PRESSURE	DISCHARGE HEAD SIZE	PUMP MODEL	NO OF PUMP STGS	COLUMN SHAFT SIZE	PUMP DOWN THRUST LB.	SHUT OFF HEAD FEET	SHUT OFF HEAD PSI	PUMP MAX BHP	WPI MOTOR HP UL LISTED PUMP	WPI MOTOR HP ULC LISTED PUMP	WPI MOTOR HP FM APPROVED PUMP
750	510	221	350	6x8x16.5SHP	12MBF	9	1.50	5544	602	261	140.0	125	125	N.A.
750	520	225	320	6x8x16.5SHP	12MBF	9	1.50	5649	611	265	143.0	150	150	150
750	520	225	350	6x8x16.5SHP	12MBF	9	1.50	5649	611	265	143.0	125	125	N.A.
750	530	229	320	6x8x16.5SHP	12MBF	9	1.50	5754	621	269	148.0	150	150	150
750	530	229	350	6x8x16.5SHP	12MBF	9	1.50	5754	621	269	148.0	150	150	N.A.
750	540	234	320	6x8x16.5SHP	12MBF	9	1.50	5859	632	274	153.0	150	150	150
750	540	234	350	6x8x16.5SHP	12MBF	9	1.50	5859	632	274	153.0	150	150	N.A.
750	550	238	320	6x8x16.5SHP	12MBF	9	1.50	5964	641	277	156.0	150	150	150
750	550	238	350	6x8x16.5SHP	12MBF	9	1.50	5964	641	277	156.0	150	150	N.A.
750	560	242	320	6x8x16.5SHP	12MBF	9	1.50	6069	650	281	159.0	150	150	150
750	560	242	350	6x8x16.5SHP	12MBF	9	1.50	6069	650	281	159.0	150	150	N.A.
750	570	247	320	6x8x16.5SHP	12MBF	9	1.50	6174	661	286	164.0	150	150	150
750	570	247	350	6x8x16.5SHP	12MBF	9	1.50	6174	661	286	164.0	150	150	N.A.
750	580	251	320	6x8x16.5SHP	12MBF	9	1.50	6279	670	290	168.0	200	200	200
750	580	251	350	6x8x16.5SHP	12MBF	9	1.50	6279	670	290	168.0	150	150	N.A.
750	590	255	320	6x8x16.5SHP	12MBF	10	1.50	6405	689	298	172.0	150	150	150
750	590	255	350	6x8x16.5SHP	12MBF	10	1.50	6405	689	298	172.0	150	150	N.A.
750	600	260	320	6x8x16.5SHP	12MBF	10	1.50	6510	702	304	179.0	200	200	200
750	600	260	350	6x8x16.5SHP	12MBF	10	1.50	6510	702	304	179.0	150	150	N.A.
750	610	264	320	6x8x16.5SHP	12MBF	10	1.50	6615	709	307	182.0	200	200	200
750	610	264	350	6x8x16.5SHP	12MBF	10	1.50	6615	709	307	182.0	150	150	N.A.
750	620	268	320	6x8x16.5SHP	12MBF	10	1.50	6720	719	311	185.0	200	200	200
750	620	268	350	6x8x16.5SHP	12MBF	10	1.50	6720	719	311	185.0	200	200	N.A.
750	630	273	320	6x8x16.5SHP	12MBF	10	1.50	6825	730	316	190.0	200	200	200
750	630	273	350	6x8x16.5SHP	12MBF	10	1.50	6825	730	316	190.0	200	200	N.A.
750	640	277	320	6x8x16.5SHP	12MBF	10	1.50	6930	740	320	195.0	200	200	200
750	640	277	350	6x8x16.5SHP	12MBF	10	1.50	6930	740	320	195.0	200	200	N.A.
750	647	280	320	6x8x16.5SHP	12MBF	10	1.50	7004	748	324	197.0	200	200	200
750	647	280	350	6x8x16.5SHP	12MBF	10	1.50	7004	748	324	197.0	200	200	N.A.
750	660	286	350	6x8x16.5SHP	12LDF	8	1.50	5608	752	326	183.0	200	200	N.A.
750	660	286	510	8x8x16.5FA	12LDF	8	1.50	5608	752	326	183.0	200	200	N.A.
750	670	290	350	6x8x16.5SHP	12LDF	8	1.50	5686	764	331	188.0	200	200	N.A.
750	670	290	510	8x8x16.5FA	12LDF	8	1.50	5686	764	331	188.0	200	200	200
750	680	294	350	6x8x16.5SHP	12LDF	8	1.50	5764	775	335	193.0	200	200	N.A.
750	680	294	510	8x8x16.5FA	12LDF	8	1.50	5764	775	335	193.0	200	200	200
750	690	299	350	6x8x16.5SHP	12LDF	8	1.50	5842	786	340	199.0	200	200	N.A.
750	690	299	510	8x8x16.5FA	12LDF	8	1.50	5842	786	340	199.0	200	200	200
750	700	303	350	6x8x16.5SHP	12LDF	9	1.50	5940	798	345	206.0	200	200	N.A.
750	700	303	510	8x8x16.5FA	12LDF	9	1.50	5940	798	345	206.0	200	200	200
750	710	307	350	6x8x16.5SHP	12LDF	9	1.50	6018	809	350	211.0	200	200	N.A.
750	710	307	510	8x8x16.5FA	12LDF	9	1.50	6018	809	350	211.0	200	200	200
750	720	312	350	6x8x16.5SHP	12LDF	9	1.50	6096	820	355	217.0	200	200	N.A.
750	720	312	510	8x8x16.5FA	12LDF	9	1.50	6096	820	355	217.0	200	200	200
750	730	316	350	6x8x16.5SHP	12LDF	9	1.50	6174	832	360	223.0	200	200	N.A.
750	730	316	510	8x8x16.5FA	12LDF	9	1.50	6174	832	360	223.0	200	200	N.A.
750	730	316	510	8x8x16.5FA	12LDF	9	1.50	6174	832	360	223.0	200	200	200
750	740	320	350	6x8x16.5SHP	12LDF	9	1.50	6252	844	365	229.0	200	200	N.A.
750	740	320	510	8x8x16.5FA	12LDF	9	1.50	6252	844	365	229.0	200	200	N.A.
750	740	320	510	8x8x16.5FA	12LDF	9	1.50	6252	844	365	229.0	200	200	200
750	750	325	350	6x8x16.5SHP	12LDF	9	1.50	6330	855	370	235.0	200	200	N.A.
750	750	325	350	6x8x16.5SHP	12LDF	9	1.50	6330	855	370	235.0	200	200	N.A.
750	750	325	510	8x8x16.5FA	12LDF	9	1.50	6330	855	370	235.0	200	200	200
750	760	329	350	6x8x16.5SHP	12LDF	9	1.50	6408	866	375	241.0	200	200	N.A.
750	760	329	510	8x8x16.5FA	12LDF	9	1.50	6408	866	375	241.0	200	200	N.A.
750	760	329	510	8x8x16.5FA	12LDF	9	1.50	6408	866	375	241.0	200	200	200
750	770	333	350	6x8x16.5SHP	12LDF	9	1.50	6486	878	380	247.0	200	200	N.A.
750	770	333	510	8x8x16.5FA	12LDF	9	1.50	6486	878	380	247.0	200	200	200
750	780	338	350	6x8x16.5SHP	12LDF	9	1.50	6564	889	385	253.0	200	200	N.A.
750	780	338	510	8x8x16.5FA	12LDF	9	1.50	6564	889	385	253.0	200	200	N.A.
750	780	338	510	8x8x16.5FA	12LDF	9	1.50	6564	889	385	253.0	200	200	200
750	790	342	350	6x8x16.5SHP	12LDF	10	1.50	6662	900	390	259.0	200	200	N.A.
750	790	342	510	8x8x16.5FA	12LDF	10	1.50	6662	900	390	259.0	200	200	200
750	800	346	350	6x8x16.5SHP	12LDF	10	1.50	6740	912	395	265.0	200	200	N.A.
750	800	346	510	8x8x16.5FA	12LDF	10	1.50	6740	912	395	265.0	200	200	200
750	810	351	510	8x8x16.5FA	12LDF	10	1.50	6818	923	400	271.0	200	200	200
750	820	355	510	8x8x16.5FA	12LDF	10	1.50	6896	935	405	277.0	200	200	200
750	830	359	510	8x8x16.5FA	12LDF	10	1.50	6974	946	410	283.0	250	250	250



**VERTICAL TURBINE FIRE PUMPS  
60 HZ ELECTRIC MOTOR DRIVEN DRIVEN  
1760 RPM PUMP**

*60 Hertz Motor Drive*

US GPM	BOWL HEAD FEET (MEASURED AT TOP BOWL OUTLET NOT DISCHARGE FLG)	BOWL HEAD PSI (MEASURED AT TOP BOWL OUTLET NOT DISCHARGE FLG)	DISCHARGE HEAD MAXIMUM WORKING PRESSURE	DISCHARGE HEAD SIZE	PUMP MODEL	NO OF PUMP STGS	COLUMN SHAFT SIZE	PUMP DOWN THRUST LB.	SHUT OFF HEAD FEET	SHUT OFF HEAD PSI	PUMP MAX BHP	WPI MOTOR HP UL LISTED PUMP	WPI MOTOR HP ULC LISTED PUMP	WPI MOTOR HP FM APPROVED PUMP
750	850	368	510	8x8x16.5FA	12LDF	10	1.50	7130	969	419	242.0	250	250	250
750	860	372	510	8x8x16.5FA	12LDF	10	1.50	7208	980	424	246.0	250	250	250
750	870	377	510	8x8x16.5FA	12LDF	10	1.50	7286	992	429	250.0	250	250	250
750	880	381	510	8x8x16.5FA	12LDF	11	1.69	7464	1003	434	247.0	250	250	250
750	890	385	510	8x8x16.5FA	12LDF	11	1.69	7542	1015	439	250.0	250	250	250
750	900	390	510	8x8x16.5FA	12LDF	11	1.69	7620	1026	444	252.0	250	250	250
750	910	394	510	8x8x16.5FA	12LDF	11	1.69	7698	1037	449	254.0	250	250	250
750	920	398	510	8x8x16.5FA	12LDF	11	1.69	7776	1049	454	259.0	250	250	250
750	930	403	510	8x8x16.5FA	12LDF	11	1.69	7854	1060	459	263.0	250	250	250
750	940	407	510	8x8x16.5FA	12LDF	11	1.69	7932	1072	464	268.0	250	250	250
750	950	411	510	8x8x16.5FA	12LDF	11	1.69	8010	1083	469	272.0	250	250	250
750	960	416	510	8x8x16.5FA	12LDF	12	1.69	8088	1094	474	276.0	250	250	250
750	970	420	510	8x8x16.5FA	12LDF	12	1.69	8186	1106	479	273.0	250	250	250
750	980	424	510	8x8x16.5FA	12LDF	12	1.69	8264	1117	484	275.0	250	250	250
750	990	429	510	8x8x16.5FA	12LDF	12	1.69	8342	1126	487	278.0	250	250	250
750	1000	433	510	8x8x16.5FA	12LDF	12	1.69	8420	1134	491	281.0	250	250	250
750	1010	437	510	8x8x16.5FA	12LDF	12	1.69	8498	1151	498	285.0	250	250	250
750	1020	442	510	8x8x16.5FA	12LDF	12	1.69	8576	1163	503	290.0	300	300	300
750	1030	446	510	8x8x16.5FA	12LDF	12	1.69	8654	1172	507	294.0	300	300	300
750	1040	450	510	8x8x16.5FA	12LDF	12	1.69	8732	1186	513	298.0	300	300	300
750	1050	455	600	8x8x16.5FA	12LDF	13	1.69	8830	1197	518	296.0	300	300	N.A.
750	1060	459	600	8x8x16.5FA	12LDF	13	1.69	8908	1208	523	299.0	300	300	N.A.
750	1070	463	600	8x8x16.5FA	12LDF	13	1.69	8986	1220	528	301.0	300	300	N.A.
750	1080	468	600	8x8x16.5FA	12LDF	13	1.69	9064	1231	533	304.0	300	300	N.A.
750	1090	472	600	8x8x16.5FA	12LDF	13	1.69	9142	1243	538	307.0	300	300	N.A.
750	1100	476	600	8x8x16.5FA	12LDF	13	1.69	9220	1254	543	312.0	300	300	N.A.
750	1110	481	600	8x8x16.5FA	12LDF	13	1.69	9298	1265	548	316.0	300	300	N.A.
750	1120	485	600	8x8x16.5FA	12LDF	13	1.69	9376	1277	553	321.0	300	300	N.A.
750	1130	489	600	8x8x16.5FA	12LDF	13	1.69	9454	1288	558	325.0	300	300	N.A.
750	1140	494	600	8x8x16.5FA	12LDF	13	1.69	9552	1300	563	322.0	300	300	N.A.
750	1150	498	600	8x8x16.5FA	12LDF	14	1.69	9630	1311	568	325.0	300	300	N.A.
750	1160	502	600	8x8x16.5FA	12LDF	14	1.69	9730	1322	572	327.0	300	300	N.A.
750	1170	506	600	8x8x16.5FA	12LDF	14	1.69	9786	1334	577	329.0	300	300	N.A.
750	1176	509	600	8x8x16.5FA	12LDF	14	1.69	9864	1340	580	332.0	300	300	N.A.
1000	118	51	175	6x8x16.5S	12MBF	2	1.50	1325	150	65	41.0	40	40	40
1000	127	55	175	6x8x16.5S	12MBF	2	1.50	1396	158	68	45.0	40	40	40
1000	139	60	175	6x8x16.5S	12MBF	3	1.50	1513	194	84	49.0	50	50	50
1000	150	65	175	6x8x16.5S	12MBF	3	1.50	1601	200	87	51.0	50	50	50
1000	162	70	175	6x8x16.5S	12MBF	3	1.50	1697	215	93	56.0	50	50	50
1000	173	75	175	6x8x16.5S	12MBF	3	1.50	1785	219	95	57.0	50	50	50
1000	185	80	175	6x8x16.5S	12MBF	3	1.50	1880	231	100	64.0	60	60	60
1000	196	85	175	6x8x16.5S	12MBF	4	1.50	1968	259	112	65.0	60	60	60
1000	208	90	175	6x8x16.5S	12MBF	4	1.50	2085	270	117	68.0	60	60	60
1000	219	95	175	6x8x16.5S	12MBF	4	1.50	2173	284	123	74.0	75	75	75
1000	231	100	175	6x8x16.5S	12MBF	4	1.50	2269	291	126	78.0	75	75	75
1000	240	104	175	6x8x16.5S	12MBF	4	1.50	2100	298	129	81.0	75	75	75
1000	250	108	175	6x8x16.5S	12MBF	4	1.50	2184	314	136	86.0	75	75	75
1000	260	113	175	6x8x16.5S	12MBF	4	1.50	2268	316	137	93.0	100	100	100
1000	270	117	175	6x8x16.5S	12MBF	4	1.50	2352	318	138	99.0	100	100	100
1000	280	121	175	6x8x16.5S	12MBF	5	1.50	2457	355	154	93.0	100	100	100
1000	290	126	175	6x8x16.5S	12MBF	5	1.50	2541	364	158	97.0	100	100	100
1000	300	130	175	6x8x16.5S	12MBF	5	1.50	2625	373	161	102.0	100	100	100
1000	310	134	175	6x8x16.5S	12MBF	5	1.50	2709	383	166	106.0	100	100	100
1000	320	139	175	6x8x16.5S	12MBF	5	1.50	2793	392	170	110.0	100	100	100
1000	330	143	175	6x8x16.5S	12MBF	5	1.50	2877	394	171	115.0	100	100	100
1000	340	147	175	6x8x16.5S	12MBF	5	1.50	2961	397	172	123.0	125	125	125
1000	350	152	175	6x8x16.5S	12MBF	6	1.50	3066	436	189	126.0	125	125	125
1000	360	156	175	6x8x16.5S	12MBF	6	1.50	3150	442	191	128.0	125	125	125
1000	360	156	320	6x8x16.5SHP	12MBF	6	1.50	3150	442	191	128.0	125	125	125
1000	370	160	175	6x8x16.5S	12MBF	6	1.50	3234	453	196	132.0	125	125	125
1000	370	160	320	6x8x16.5SHP	12MBF	6	1.50	3234	453	196	132.0	125	125	125
1000	380	165	320	6x8x16.5SHP	12MBF	6	1.50	3318	463	200	137.0	125	125	125
1000	390	169	320	6x8x16.5SHP	12MBF	6	1.50	3402	469	203	143.0	125	125	125
1000	400	173	320	6x8x16.5SHP	12MBF	7	1.50	3507	493	213	142.0	125	125	125
1000	410	177	320	6x8x16.5SHP	12MBF	7	1.50	3591	507	219	146.0	150	150	150



**VERTICAL TURBINE FIRE PUMPS  
60 HZ ELECTRIC MOTOR DRIVEN DRIVEN  
1760 RPM PUMP**

*60 Hertz Motor Drive*

US GPM	BOWL HEAD FEET (MEASURED AT TOP BOWL OUTLET NOT DISCHARGE FLG)	BOWL HEAD PSI (MEASURED AT TOP BOWL OUTLET NOT DISCHARGE FLG)	DISCHARGE HEAD MAXIMUM WORKING PRESSURE	DISCHARGE HEAD SIZE	PUMP MODEL	NO OF PUMP STGS	COLUMN SHAFT SIZE	PUMP DOWN THRUST LB.	SHUT OFF HEAD FEET	SHUT OFF HEAD PSI	PUMP MAX BHP	WPI MOTOR HP UL LISTED PUMP	WPI MOTOR HP ULC LISTED PUMP	WPI MOTOR HP FM APPROVED PUMP
1000	420	182	320	6x8x16.5SHP	12MBF	7	1.50	3675	516	223	151.0	150	150	150
1000	430	186	320	6x8x16.5SHP	12MBF	7	1.50	3759	527	228	157.0	150	150	150
1000	440	190	320	6x8x16.5SHP	12MBF	7	1.50	3843	538	233	161.0	150	150	150
1000	450	195	320	6x8x16.5SHP	12MBF	7	1.50	3927	543	235	163.0	150	150	150
1000	460	199	320	6x8x16.5SHP	12MBF	7	1.50	4011	553	239	172.0	150	150	150
1000	470	203	320	6x8x16.5SHP	12MBF	8	1.50	4095	582	252	168.0	150	150	150
1000	480	208	320	6x8x16.5SHP	12MBF	8	1.50	4200	596	258	174.0	200	200	200
1000	480	208	350	6x8x16.5SHP	12MBF	8	1.50	4200	596	258	174.0	200	200	N.A.
1000	490	212	320	6x8x16.5SHP	12MBF	8	1.50	4284	604	261	177.0	200	200	200
1000	490	212	350	6x8x16.5SHP	12MBF	8	1.50	4284	604	261	177.0	200	200	N.A.
1000	500	216	320	6x8x16.5SHP	12MBF	8	1.50	4368	611	265	180.0	200	200	200
1000	500	216	350	6x8x16.5SHP	12MBF	8	1.50	4368	611	265	180.0	200	200	N.A.
1000	510	221	320	6x8x16.5SHP	12MBF	8	1.50	4452	618	268	186.0	200	200	200
1000	510	221	350	6x8x16.5SHP	12MBF	8	1.50	4452	618	268	186.0	200	200	N.A.
1000	520	225	320	6x8x16.5SHP	12MBF	8	1.50	4536	629	272	192.0	200	200	200
1000	520	225	350	6x8x16.5SHP	12MBF	8	1.50	4536	629	272	192.0	200	200	N.A.
1000	530	229	320	6x8x16.5SHP	12MBF	8	1.50	4620	636	275	200.0	200	200	200
1000	530	229	350	6x8x16.5SHP	12MBF	8	1.50	4620	636	275	200.0	200	200	N.A.
1000	540	234	320	6x8x16.5SHP	12MBF	8	1.50	4704	639	277	207.0	200	200	200
1000	540	234	350	6x8x16.5SHP	12MBF	8	1.50	4704	639	277	207.0	200	200	N.A.
1000	550	238	320	6x8x16.5SHP	12MBF	9	1.50	4809	676	293	200.0	200	200	200
1000	550	238	350	6x8x16.5SHP	12MBF	9	1.50	4809	676	293	200.0	200	200	N.A.
1000	560	242	320	6x8x16.5SHP	12MBF	9	1.50	4893	684	296	202.0	200	200	200
1000	560	242	350	6x8x16.5SHP	12MBF	9	1.50	4893	684	296	202.0	200	200	N.A.
1000	570	247	320	6x8x16.5SHP	12MBF	9	1.50	4977	691	299	205.0	200	200	200
1000	570	247	350	6x8x16.5SHP	12MBF	9	1.50	4977	691	299	205.0	200	200	N.A.
1000	580	251	320	6x8x16.5SHP	12MBF	9	1.50	5061	698	302	213.0	200	200	200
1000	580	251	350	6x8x16.5SHP	12MBF	9	1.50	5061	698	302	213.0	200	200	N.A.
1000	590	255	320	6x8x16.5SHP	12MBF	9	1.50	5145	709	307	222.0	200	200	200
1000	590	255	350	6x8x16.5SHP	12MBF	9	1.50	5145	709	307	222.0	200	200	N.A.
1000	600	260	320	6x8x16.5SHP	12MBF	9	1.50	5229	714	309	229.0	200	200	200
1000	600	260	350	6x8x16.5SHP	12MBF	9	1.50	5229	714	309	229.0	200	200	N.A.
1000	610	264	320	6x8x16.5SHP	12MBF	9	1.50	5313	719	311	236.0	250	250	250
1000	610	264	350	6x8x16.5SHP	12MBF	9	1.50	5313	719	311	236.0	250	250	N.A.
1000	612	265	320	6x8x16.5SHP	12MBF	10	1.50	5629	746	323	256.0	250	N.A.	250
1000	612	265	350	6x8x16.5SHP	12MBF	10	1.50	5629	746	323	256.0	250	N.A.	N.A.
1000	624	270	320	6x8x16.5SHP	12MBF	10	1.50	5725	756	327	257.0	250	N.A.	250
1000	624	270	350	6x8x16.5SHP	12MBF	10	1.50	5725	756	327	257.0	250	N.A.	N.A.
1000	635	275	320	6x8x16.5SHP	12MBF	10	1.50	5813	764	331	270.0	250	N.A.	250
1000	635	275	350	6x8x16.5SHP	12MBF	10	1.50	5813	764	331	270.0	250	N.A.	N.A.
1000	647	280	320	6x8x16.5SHP	12MBF	10	1.50	5909	770	333	271.0	250	N.A.	250
1000	647	280	350	6x8x16.5SHP	12MBF	10	1.50	5909	770	333	271.0	250	N.A.	N.A.
1000	658	285	320	6x8x16.5SHP	12MBF	10	1.50	5875	785	340	246.0	250	N.A.	250
1000	658	285	350	6x8x16.5SHP	12MBF	10	1.50	5875	785	340	246.0	250	N.A.	N.A.
1000	670	290	320	6x8x16.5SHP	12MBF	10	1.50	6092	784	339	250.0	250	N.A.	250
1000	670	290	350	6x8x16.5SHP	12MBF	10	1.50	6092	784	339	250.0	250	N.A.	N.A.
1000	681	295	350	6x8x16.5SHP	12MBF	11	1.69	6201	826	358	285.0	250	N.A.	N.A.
1000	681	295	510	8x8x16.5FA	12MBF	11	1.69	6201	826	358	285.0	250	N.A.	250
1000	693	300	350	6x8x16.5SHP	12MBF	11	1.69	6297	836	362	285.0	250	N.A.	N.A.
1000	693	300	510	8x8x16.5FA	12MBF	11	1.69	6297	836	362	285.0	250	N.A.	250
1000	704	305	350	6x8x16.5SHP	12MBF	11	1.69	6385	844	365	299.0	300	N.A.	N.A.
1000	704	305	510	8x8x16.5FA	12MBF	11	1.69	6385	844	365	299.0	300	N.A.	300
1000	716	310	350	6x8x16.5SHP	12MBF	11	1.69	6480	855	370	266.0	250	N.A.	N.A.
1000	716	310	510	8x8x16.5FA	12MBF	11	1.69	6480	855	370	266.0	250	N.A.	250
1000	728	315	350	6x8x16.5SHP	12MBF	11	1.69	6576	867	375	272.0	250	N.A.	N.A.
1000	728	315	510	8x8x16.5FA	12MBF	11	1.69	6576	867	375	272.0	250	N.A.	250
1000	739	320	350	6x8x16.5SHP	12MBF	11	1.69	6664	863	374	276.0	250	N.A.	N.A.
1000	739	320	510	8x8x16.5FA	12MBF	11	1.69	6664	863	374	276.0	250	N.A.	250
1000	751	325	350	6x8x16.5SHP	12MBF	12	1.69	6781	908	393	314.0	300	N.A.	N.A.
1000	751	325	510	8x8x16.5FA	12MBF	12	1.69	6781	908	393	314.0	300	N.A.	300
1000	762	330	350	6x8x16.5SHP	12MBF	12	1.69	6869	917	397	280.0	250	N.A.	N.A.
1000	762	330	510	8x8x16.5FA	12MBF	12	1.69	6869	917	397	280.0	250	N.A.	250
1000	774	335	350	6x8x16.5SHP	12MBF	12	1.69	6965	926	401	327.0	300	N.A.	N.A.
1000	774	335	510	8x8x16.5FA	12MBF	12	1.69	6965	926	401	327.0	300	N.A.	300
1000	785	340	350	6x8x16.5SHP	12MBF	12	1.69	7052	936	405	291.0	300	N.A.	N.A.



**VERTICAL TURBINE FIRE PUMPS  
60 HZ ELECTRIC MOTOR DRIVEN  
1760 RPM PUMP**

*60 Hertz Motor Drive*

US GPM	BOWL HEAD FEET (MEASURED AT TOP BOWL OUTLET NOT DISCHARGE FLG)	BOWL HEAD PSI (MEASURED AT TOP BOWL OUTLET NOT DISCHARGE FLG)	DISCHARGE HEAD MAXIMUM WORKING PRESSURE	DISCHARGE HEAD SIZE	PUMP MODEL	NO OF PUMP STGS	COLUMN SHAFT SIZE	PUMP DOWN THRUST LB.	SHUT OFF HEAD FEET	SHUT OFF HEAD PSI	PUMP MAX BHP	WPI MOTOR HP UL LISTED PUMP	WPI MOTOR HP ULC LISTED PUMP	WPI MOTOR HP FM APPROVED PUMP
1000	785	340	510	8x8x16.5FA	12MBF	12	1.69	7052	936	405	291.0	300	N.A.	300
1000	797	345	350	6x8x16.5SHP	12MBF	12	1.69	7148	947	410	298.0	300	N.A.	N.A.
1000	797	345	510	8x8x16.5FA	12MBF	12	1.69	7148	947	410	298.0	300	N.A.	300
1000	808	350	350	6x8x16.5SHP	12MBF	12	1.69	7236	943	408	302.0	300	N.A.	N.A.
1000	808	350	510	8x8x16.5FA	12MBF	12	1.69	7236	943	408	302.0	300	N.A.	300
1000	820	355	510	8x8x16.5FA	12MBF	13	1.69	7353	988	428	300.0	300	N.A.	300
1000	832	360	510	8x8x16.5FA	12MBF	13	1.69	7449	999	432	306.0	300	N.A.	300
1000	843	365	510	8x8x16.5FA	12MBF	13	1.69	7536	1006	435	356.0	350	N.A.	350
1000	850	368	510	8x8x16.5FA	12MBF	13	1.69	7592	1012	438	315.0	300	N.A.	300
1250	255	110	175	10x10x16.5 or 20S	14MCF	3	1.50	2231	296	128	133	125	N.A.	N.A.
1250	265	115	175	10x10x16.5 or 20S	14MCF	3	1.50	2313	310	134	142	125	N.A.	N.A.
1250	275	119	175	10x10x16.5 or 20S	14MCF	3	1.50	2395	315	136	148	150	N.A.	N.A.
1250	285	123	175	10x10x16.5 or 20S	14MCF	3	1.50	2510	330	143	155	150	N.A.	N.A.
1250	295	128	175	10x10x16.5 or 20S	14MCF	3	1.50	2592	336	145	160	150	N.A.	N.A.
1250	295	128	175	10x10x16.5 or 20S	14MCF	4	1.50	2592	372	161	152	150	N.A.	N.A.
1250	305	132	175	10x10x16.5 or 20S	14MCF	3	1.50	2674	342	148	164	150	N.A.	N.A.
1250	305	132	175	10x10x16.5 or 20S	14MCF	4	1.50	2674	374	162	158	150	N.A.	N.A.
1250	315	136	175	10x10x16.5 or 20S	14MCF	4	1.50	2756	386	167	163	150	N.A.	N.A.
1250	325	141	175	10x10x16.5 or 20S	14MCF	4	1.50	2838	390	169	171	150	N.A.	N.A.
1250	335	145	175	10x10x16.5 or 20S	14MCF	4	1.50	2920	402	174	177	200	N.A.	N.A.
1250	345	149	175	10x10x16.5 or 20S	14MCF	4	1.50	3002	413	179	183	200	N.A.	N.A.
1250	355	154	175	10x10x16.5 or 20S	14MCF	4	1.50	3084	418	181	188	200	N.A.	N.A.
1250	365	158	175	10x10x16.5 or 20S	14MCF	4	1.50	3166	425	184	194	200	N.A.	N.A.
1250	375	162	400	10x10x16.5 or 20S	14MCF	4	1.50	3248	439	190	200	200	N.A.	N.A.
1250	385	167	400	10x10x16.5 or 20S	14MCF	4	1.50	3363	446	193	206	200	N.A.	N.A.
1250	395	171	400	10x10x16.5 or 20S	14MCF	4	1.50	3445	453	196	212	200	N.A.	N.A.
1250	395	171	400	10x10x16.5 or 20S	14MCF	5	1.94	3363	485	210	212	200	N.A.	N.A.
1250	405	175	400	10x10x16.5 or 20S	14MCF	4	1.50	3500	457	198	220	200	N.A.	N.A.
1250	405	175	400	10x10x16.5 or 20S	14MCF	5	1.94	3363	490	212	220	200	N.A.	N.A.
1250	415	180	400	10x10x16.5 or 20S	14MCF	5	1.94	3609	492	213	225	200	N.A.	N.A.
1250	425	184	400	10x10x16.5 or 20S	14MCF	5	1.94	3691	513	222	230	200	N.A.	N.A.
1250	435	188	400	10x10x16.5 or 20S	14MCF	5	1.94	3773	520	225	235	250	N.A.	N.A.
1250	445	193	400	10x10x16.5 or 20S	14MCF	5	1.94	3855	524	227	240	250	N.A.	N.A.
1250	455	197	400	10x10x16.5 or 20S	14MCF	5	1.94	3955	531	230	245	250	N.A.	N.A.
1250	465	201	400	10x10x16.5 or 20S	14MCF	5	1.94	3955	550	238	250	250	N.A.	N.A.
1250	477	206	400	10x10x16.5 or 20S	14MCF	5	1.94	3955	557	241	256	250	N.A.	N.A.
1250	485	210	400	10x10x16.5 or 20S	14MCF	6	1.94	4052	572	248	262	250	N.A.	N.A.
1250	495	214	400	10x10x16.5 or 20S	14MCF	6	1.94	4134	587	254	268	250	N.A.	N.A.
1250	505	219	400	10x10x16.5 or 20S	14MCF	6	1.94	4216	602	261	274	250	N.A.	N.A.
1250	515	223	400	10x10x16.5 or 20S	14MCF	6	1.94	4298	617	267	280	250	N.A.	N.A.
1250	525	227	400	10x10x16.5 or 20S	14MCF	6	1.94	4380	632	274	286	250	N.A.	N.A.
1250	535	232	400	10x10x16.5 or 20S	14MCF	6	1.94	4462	647	280	292	300	N.A.	N.A.
1250	545	236	400	10x10x16.5 or 20S	14MCF	6	1.94	4544	662	287	298	300	N.A.	N.A.
1250	555	240	400	10x10x16.5 or 20S	14MCF	6	1.94	4626	677	293	304	300	N.A.	N.A.
1250	565	245	400	10x10x16.5 or 20S	14MCF	7	1.94	4823	693	300	310	300	N.A.	N.A.
1250	575	249	400	10x10x16.5 or 20S	14MCF	7	1.94	4905	707	306	316	300	N.A.	N.A.
1250	585	253	400	10x10x16.5 or 20S	14MCF	7	1.94	4987	723	313	322	300	N.A.	N.A.
1250	595	258	400	10x10x16.5 or 20S	14MCF	7	1.94	5069	737	319	328	300	N.A.	N.A.
1250	605	262	400	10x10x16.5 or 20S	14MCF	7	1.94	5151	753	326	334	300	N.A.	N.A.
1250	615	266	400	10x10x16.5 or 20S	14MCF	7	1.94	5233	767	332	340	300	N.A.	N.A.
1250	625	271	400	10x10x16.5 or 20S	14MCF	7	1.94	5300	783	339	345	300	N.A.	N.A.
1250	647	280	400	10x10x16.5 or 20S	14MCF	7	1.94	5400	797	345	352	350	N.A.	N.A.
1500	180	78	175	10x10x16.5 or 20S	14MDF	2	1.50	3974	229	99	122.0	125	125	125
1500	185	80	175	10x10x16.5 or 20S	14MDF	2	1.50	4082	234	101	125.0	125	125	125
1500	196	85	175	10x10x16.5 or 20S	14MDF	2	1.50	4320	246	106	135.0	125	125	125
1500	208	90	175	10x10x16.5 or 20S	14MDF	2	1.50	4579	262	113	146.0	150	150	150
1500	219	95	175	10x10x16.5 or 20S	14MDF	2	1.50	4817	275	119	152.0	150	150	150
1500	231	100	175	10x10x16.5 or 20S	14MDF	3	1.50	5118	304	132	148.0	150	150	150
1500	243	105	175	10x10x16.5 or 20S	14MDF	3	1.50	5378	311	135	157.0	150	150	150
1500	254	110	175	10x10x16.5 or 20S	14MDF	3	1.50	5616	323	140	165.0	150	150	150
1500	266	115	175	10x10x16.5 or 20S	14MDF	3	1.50	5875	337	146	177.0	200	200	200
1500	277	120	175	10x10x16.5 or 20S	14MDF	3	1.50	6113	349	151	185.0	200	200	200
1500	289	125	175	10x10x16.5 or 20S	14MDF	3	1.50	6372	365	158	199.0	200	200	200
1500	300	130	175	10x10x16.5 or 20S	14MDF	3	1.50	6610	378	164	209.0	200	200	200
1500	312	135	175	10x10x16.5 or 20S	14MDF	4	1.50	6911	400	173	199.0	200	200	200



**VERTICAL TURBINE FIRE PUMPS  
60 HZ ELECTRIC MOTOR DRIVEN DRIVEN  
1760 RPM PUMP**

**60 Hertz Motor Drive**

US GPM	BOWL HEAD FEET (MEASURED AT TOP BOWL OUTLET NOT DISCHARGE FLG)	BOWL HEAD PSI (MEASURED AT TOP BOWL OUTLET NOT DISCHARGE FLG)	DISCHARGE HEAD MAXIMUM WORKING PRESSURE	DISCHARGE HEAD SIZE	PUMP MODEL	NO OF PUMP STGS	COLUMN SHAFT SIZE	PUMP DOWN THRUST LB.	SHUT OFF HEAD FEET	SHUT OFF HEAD PSI	PUMP MAX BHP	WPI MOTOR HP UL LISTED PUMP	WPI MOTOR HP ULC LISTED PUMP	WPI MOTOR HP FM APPROVED PUMP
1500	323	140	175	10x10x16.5 or 20S	14MDF	4	1.50	7149	413	179	208.0	200	200	200
1500	335	145	175	10x10x16.5 or 20S	14MDF	4	1.94	7408	428	185	220.0	200	200	200
1500	347	150	175	10x10x16.5 or 20S	14MDF	4	1.94	7667	441	191	229.0	200	200	200
1500	358	155	175	10x10x16.5 or 20S	14MDF	4	1.94	7905	454	197	237.0	250	250	250
1500	370	160	175	10x10x16.5 or 20S	14MDF	4	1.94	8165	468	203	250.0	250	250	250
1500	381	165	175	10x10x16.5 or 20S	14MDF	4	1.94	8402	480	208	258.0	250	250	250
1500	393	170	175	10x10x16.5 or 20S	14MDF	4	1.94	8662	496	215	272.0	250	250	250
1500	404	175	175	10x10x16.5 or 20S	14MDF	4	1.94	8899	509	220	282.0	250	250	250
1500	240	104	400	0x10x16.5 or 20SH	14MCF	3	1.50	2067	296	128	133.0	125	125	125
1500	250	108	400	0x10x16.5 or 20SH	14MCF	3	1.50	2149	310	134	142.0	125	125	125
1500	260	113	400	0x10x16.5 or 20SH	14MCF	3	1.50	2231	315	136	148.0	150	150	150
1500	270	117	400	0x10x16.5 or 20SH	14MCF	3	1.50	2313	330	143	155.0	150	150	150
1500	280	121	400	0x10x16.5 or 20SH	14MCF	3	1.50	2395	336	145	160.0	150	150	150
1500	290	126	400	0x10x16.5 or 20SH	14MCF	4	1.50	2510	375	162	158.0	150	150	150
1500	300	130	400	0x10x16.5 or 20SH	14MCF	4	1.50	2592	385	167	163.0	150	150	150
1500	310	134	400	0x10x16.5 or 20SH	14MCF	4	1.50	2674	390	169	171.0	200	200	200
1500	320	139	400	0x10x16.5 or 20SH	14MCF	4	1.50	2756	403	174	177.0	200	200	200
1500	330	143	400	0x10x16.5 or 20SH	14MCF	4	1.50	2838	413	179	183.0	200	200	200
1500	340	147	400	0x10x16.5 or 20SH	14MCF	4	1.50	2920	418	181	188.0	200	200	200
1500	350	152	400	0x10x16.5 or 20SH	14MCF	4	1.50	3002	425	184	194.0	200	200	200
1500	360	156	400	0x10x16.5 or 20SH	14MCF	4	1.50	3084	440	190	200.0	200	200	200
1500	370	160	400	0x10x16.5 or 20SH	14MCF	4	1.50	3166	445	193	206.0	200	200	200
1500	380	165	400	0x10x16.5 or 20SH	14MCF	4	1.50	3248	453	196	212.0	200	200	200
1500	390	169	400	0x10x16.5 or 20SH	14MCF	5	1.94	3363	490	212	220.0	200	200	200
1500	400	173	400	0x10x16.5 or 20SH	14MCF	5	1.94	3445	493	213	225.0	200	200	200
1500	410	177	400	0x10x16.5 or 20SH	14MCF	5	1.94	3527	513	222	230.0	200	200	200
1500	416	180	400	0x10x16.5 or 20SH	14MDF	4	1.94	9201	531	230	272.0	250	250	250
1500	420	182	400	0x10x16.5 or 20SH	14MCF	5	1.94	3609	519	225	235.0	250	250	250
1500	427	185	400	0x10x16.5 or 20SH	14MDF	4	1.94	9438	543	235	279.0	250	250	250
1500	430	186	400	0x10x16.5 or 20SH	14MCF	5	1.94	3691	525	227	240.0	250	250	250
1500	439	190	400	0x10x16.5 or 20SH	14MCF	5	1.94	3773	532	230	245.0	250	250	250
1500	439	190	400	0x10x16.5 or 20SH	14MDF	5	1.94	9698	559	242	292.0	300	300	300
1500	450	195	400	0x10x16.5 or 20SH	14MCF	5	1.94	3855	550	238	250.0	250	250	N.A.
1500	450	195	400	0x10x16.5 or 20SH	14MDF	5	1.94	9936	571	247	300.0	300	300	300
1500	462	200	400	0x10x16.5 or 20SH	14MCF	5	1.94	3955	557	241	256.0	250	250	N.A.
1500	462	200	400	0x10x16.5 or 20SH	14MDF	5	1.94	10195	584	253	309.0	300	300	300
1500	470	203	400	0x10x16.5 or 20SH	14MCF	6	1.94	4052	572	248	262.0	250	250	N.A.
1500	474	205	400	0x10x16.5 or 20SH	14MDF	5	1.94	10454	599	259	323.0	300	300	300
1500	480	208	400	0x10x16.5 or 20SH	14MCF	6	1.94	4134	587	254	268.0	250	250	N.A.
1500	485	210	400	0x10x16.5 or 20SH	14MDF	5	1.94	10692	612	265	331.0	300	300	300
1500	490	212	400	0x10x16.5 or 20SH	14MCF	6	1.94	4216	602	261	274.0	250	250	N.A.
1500	497	215	400	0x10x16.5 or 20SH	14MDF	5	1.94	10951	627	271	345.0	300	300	300
1500	500	216	400	0x10x16.5 or 20SH	14MCF	6	1.94	4298	617	267	280.0	250	250	N.A.
1500	508	220	400	0x10x16.5 or 20SH	14MDF	5	1.94	11189	640	277	355.0	350	350	350
1500	510	221	400	0x10x16.5 or 20SH	14MCF	6	1.94	4380	632	274	286.0	250	250	N.A.
1500	520	225	400	0x10x16.5 or 20SH	14MCF	6	1.94	4462	647	280	292.0	300	300	N.A.
1500	520	225	400	0x10x16.5 or 20SH	14MDF	6	1.94	11490	662	287	344.0	300	300	300
1500	530	229	400	0x10x16.5 or 20SH	14MCF	6	1.94	4544	662	287	298.0	300	300	N.A.
1500	531	230	400	0x10x16.5 or 20SH	14MDF	6	1.94	11728	674	292	352.0	350	350	350
1500	540	234	400	0x10x16.5 or 20SH	14MCF	6	1.94	4626	677	293	304.0	300	300	N.A.
1500	543	235	400	0x10x16.5 or 20SH	14MDF	6	1.94	11988	690	299	365.0	350	350	350
1500	550	238	400	0x10x16.5 or 20SH	14MCF	7	1.94	4741	692	300	310.0	300	300	N.A.
1500	554	240	400	0x10x16.5 or 20SH	14MDF	6	1.94	12225	702	304	373.0	350	350	350
1500	560	242	400	0x10x16.5 or 20SH	14MCF	7	1.94	4823	707	306	316.0	300	300	N.A.
1500	566	245	400	0x10x16.5 or 20SH	14MDF	6	1.94	12485	715	310	382.0	350	350	350
1500	570	247	400	0x10x16.5 or 20SH	14MCF	7	1.94	4905	722	313	322.0	300	300	N.A.
1500	578	250	400	0x10x16.5 or 20SH	14MDF	6	1.94	12744	730	316	396.0	350	350	350
1500	580	251	400	0x10x16.5 or 20SH	14MCF	7	1.94	4987	737	319	328.0	300	300	N.A.
1500	589	255	400	0x10x16.5 or 20SH	14MDF	6	2.19	12982	742	321	402.0	350	350	350
1500	590	255	400	0x10x16.5 or 20SH	14MCF	7	1.94	5069	752	326	334.0	350	350	N.A.
1500	600	260	400	0x10x16.5 or 20SH	14MCF	7	1.94	5151	767	332	340.0	350	350	N.A.
1500	601	260	400	0x10x16.5 or 20SH	14MDF	6	2.19	13241	758	328	419.0	400	400	400
1500	610	264	400	0x10x16.5 or 20SH	14MCF	7	1.94	5233	782	339	345.0	350	350	N.A.
1500	612	265	400	0x10x16.5 or 20SH	14MDF	6	2.19	13479	771	334	428.0	400	400	400
1500	624	270	400	0x10x16.5 or 20SH	14MCF	7	1.94	5347	797	345	352.0	350	350	N.A.



**VERTICAL TURBINE FIRE PUMPS  
60 HZ ELECTRIC MOTOR DRIVEN  
1760 RPM PUMP**

*60 Hertz Motor Drive*

US GPM	BOWL HEAD FEET (MEASURED AT TOP BOWL OUTLET NOT DISCHARGE FLG)	BOWL HEAD PSI (MEASURED AT TOP BOWL OUTLET NOT DISCHARGE FLG)	DISCHARGE HEAD MAXIMUM WORKING PRESSURE	DISCHARGE HEAD SIZE	PUMP MODEL	NO OF PUMP STGS	COLUMN SHAFT SIZE	PUMP DOWN THRUST LB.	SHUT OFF HEAD FEET	SHUT OFF HEAD PSI	PUMP MAX BHP	WPI MOTOR HP UL LISTED PUMP	WPI MOTOR HP ULC LISTED PUMP	WPI MOTOR HP FM APPROVED PUMP
1500	624	270	400	0x10x16.5 or 20SH	14MDF	6	2.19	14027	741	321	428.0	400	400	400
1500	635	275	400	0x10x16.5 or 20SH	14MDF	6	2.19	14256	751	325	442.0	400	400	400
1500	647	280	400	0x10x16.5 or 20SH	14MDF	6	2.19	14504	763	330	442.0	400	400	400
1500	658	285	400	0x10x16.5 or 20SH	14MDF	6	2.19	14628	769	333	451.0	400	400	400
1500	665	288	400	0x10x16.5 or 20SH	14MDF	6	2.19	14628	769	333	451.0	400	400	400
2000	162	70	175	10x10x16.5 or 20S	14MDF	2	1.50	3381	219	95	113	125	125	125
2000	173	75	175	10x10x16.5 or 20S	14MDF	2	1.50	3605	234	101	126	125	125	125
2000	185	80	175	10x10x16.5 or 20S	14MDF	2	1.50	3850	249	108	137	125	125	125
2000	196	85	175	10x10x16.5 or 20S	14MDF	2	1.50	4074	263	114	147	150	150	150
2000	208	90	175	10x10x16.5 or 20S	14MDF	2	1.50	4318	275	119	152	150	150	150
2000	219	95	175	10x10x16.5 or 20S	14MDF	3	1.50	4584	301	130	150	150	150	150
2000	231	100	175	10x10x16.5 or 20S	14MDF	3	1.50	4828	315	136	160	150	150	150
2000	254	110	175	10x10x16.5 or 20S	14MDF	3	1.50	5296	344	149	182	200	200	200
2000	266	115	175	10x10x16.5 or 20S	14MDF	3	1.50	5540	360	156	195	200	200	200
2000	277	120	175	10x10x16.5 or 20S	14MDF	3	1.50	5764	373	161	204	200	200	200
2000	289	125	175	10x10x16.5 or 20S	14MDF	3	1.50	6009	388	168	218	200	200	200
2000	300	130	175	10x10x16.5 or 20S	14MDF	4	1.50	6274	411	178	206	200	200	200
2000	312	135	175	10x10x16.5 or 20S	14MDF	4	1.50	6519	425	184	215	200	200	200
2000	323	140	175	10x10x16.5 or 20S	14MDF	4	1.50	6743	439	190	228	200	200	200
2000	335	145	175	10x10x16.5 or 20S	14MDF	4	1.50	6987	454	197	237	250	250	250
2000	347	150	175	10x10x16.5 or 20S	14MDF	4	1.50	7231	469	203	251	250	250	250
2000	358	155	400	10x10x20SHP	14MDF	4	1.94	7455	482	209	260	250	250	250
2000	370	160	400	10x10x20SHP	14MDF	4	1.94	7699	498	216	274	250	250	250
2000	381	165	400	10x10x20SHP	14MDF	4	1.94	7923	512	222	285	250	250	250
2000	393	170	400	10x10x20SHP	14MDF	5	1.94	8210	536	232	275	250	250	250
2000	404	175	400	10x10x20SHP	14MDF	5	1.94	8433	549	238	284	250	250	250
2000	416	180	400	10x10x20SHP	14MDF	5	1.94	8678	565	245	296	300	300	300
2000	427	185	400	10x10x20SHP	14MDF	5	1.94	8902	578	250	305	300	300	300
2000	439	190	400	10x10x20SHP	14MDF	5	1.94	9146	594	257	319	300	300	300
2000	450	195	400	10x10x20SHP	14MDF	5	1.94	9370	607	263	328	300	300	300
2000	462	200	400	10x10x20SHP	14MDF	5	1.94	9614	622	269	342	300	300	300
2000	474	205	400	10x10x20SHP	14MDF	5	1.94	9858	637	276	352	350	350	350
2000	485	210	400	10x10x20SHP	14MDF	5	1.94	10082	650	281	365	350	350	350
2000	497	215	400	10x10x20SHP	14MDF	6	1.94	10368	675	292	352	350	350	350
2000	508	220	400	10x10x20SHP	14MDF	6	1.94	10592	689	298	365	350	350	350
2000	520	225	400	10x10x20SHP	14MDF	6	1.94	10837	703	304	374	350	350	350
2000	531	230	400	10x10x20SHP	14MDF	6	1.94	11061	717	310	383	350	350	350
2000	543	235	400	10x10x20SHP	14MDF	6	1.94	11305	732	317	397	350	350	350
2000	554	240	400	10x10x20SHP	14MDF	6	2.19	11529	745	323	402	350	350	350
2000	566	245	400	10x10x20SHP	14MDF	6	2.19	11773	761	329	421	400	400	400
2000	578	250	400	10x10x20SHP	14MDF	6	2.19	12017	776	336	434	400	400	400
2000	589	255	400	10x10x20SHP	14MDF	6	2.19	13285	746	323	458	400	400	400
2000	601	260	400	10x10x20SHP	14MDF	6	2.19	13554	758	328	428	400	400	400
2000	601	260	400	10x10x20SHP	14MDF	6	2.19	13554	758	328	428	400	400	400
2000	612	265	400	10x10x20SHP	14MDF	6	2.19	13781	769	333	451	400	400	400
2000	612	265	400	10x10x20SHP	14MDF	6	2.19	13781	769	333	451	400	400	400
2000	624	270	400	10x10x20SHP	14MDF	6	2.19	13781	769	333	451	400	400	400
2000	624	270	400	10x10x20SHP	14MDF	6	2.19	13781	769	333	451	400	400	400
2500	240	104	175	10x10x20S	16HXB	3	1.94	4665	336	145	210	200	200	N.A.
2500	250	108	175	10x10x20S	16HXB	3	1.94	4855	350	152	220	200	200	N.A.
2500	260	113	175	10x10x20S	16HXB	3	1.94	5045	361	156	230	200	200	N.A.
2500	270	117	175	10x10x20S	16HXB	3	1.94	5235	372	161	240	250	250	N.A.
2500	280	121	175	10x10x20S	16HXB	3	1.94	5425	380	165	250	250	250	N.A.
2500	290	126	175	10x10x20S	16HXB	3	1.94	5615	389	168	260	250	250	N.A.
2500	300	130	175	10x10x20S	16HXB	3	1.94	5805	403	174	270	250	250	N.A.
2500	310	134	175	10x10x20S	16HXB	3	1.94	5995	421	182	280	250	250	N.A.
2500	320	139	175	10x10x20S	16HXB	3	1.94	6185	431	187	288	250	250	N.A.
2500	330	143	175	10x10x20S	16HXB	3	1.94	6375	440	190	300	300	300	N.A.
2500	310	134	400	10x10x20SHP	16HXB	3	1.94	5995	421	182	280	250	250	N.A.
2500	320	139	400	10x10x20SHP	16HXB	3	1.94	6185	431	187	288	250	250	N.A.
2500	330	143	400	10x10x20SHP	16HXB	3	1.94	6375	440	190	300	300	300	N.A.
2500	340	147	400	10x10x20SHP	16HXB	3	1.94	6565	454	197	310	300	300	N.A.
2500	350	152	400	10x10x20SHP	16HXB	4	1.94	6904	480	208	305	300	300	N.A.
2500	360	156	400	10x10x20SHP	16HXB	4	1.94	6980	490	212	310	300	300	N.A.
2500	370	160	400	10x10x20SHP	16HXB	4	1.94	7170	495	214	319	300	300	N.A.



**VERTICAL TURBINE FIRE PUMPS  
60 HZ ELECTRIC MOTOR DRIVEN  
1760 RPM PUMP**

*60 Hertz Motor Drive*

US GPM	BOWL HEAD FEET (MEASURED AT TOP BOWL OUTLET NOT DISCHARGE FLG)	BOWL HEAD PSI (MEASURED AT TOP BOWL OUTLET NOT DISCHARGE FLG)	DISCHARGE HEAD MAXIMUM WORKING PRESSURE	DISCHARGE HEAD SIZE	PUMP MODEL	NO OF PUMP STGS	COLUMN SHAFT SIZE	PUMP DOWN THRUST LB.	SHUT OFF HEAD FEET	SHUT OFF HEAD PSI	PUMP MAX BHP	WPI MOTOR HP UL LISTED PUMP	WPI MOTOR HP ULC LISTED PUMP	WPI MOTOR HP FM APPROVED PUMP
2500	380	165	400	10x10x20SHP	16HXB	4	1.94	7360	505	219	332	300	300	N.A.
2500	390	169	400	10x10x20SHP	16HXB	4	1.94	7550	517	224	346	350	350	N.A.
2500	400	173	400	10x10x20SHP	16HXB	4	1.94	7740	536	232	360	350	350	N.A.
2500	410	177	400	10x10x20SHP	16HXB	4	1.94	7930	560	242	372	350	350	N.A.
2500	420	182	400	10x10x20SHP	16HXB	4	1.94	8120	573	248	386	350	350	N.A.
2500	430	186	400	10x10x20SHP	16HXB	4	1.94	8310	585	253	400	350	350	N.A.
2500	440	190	400	10x10x20SHP	16HXB	4	1.94	8500	604	261	412	400	400	N.A.
2500	450	195	400	10x10x20SHP	16HXB	5	1.94	8752	600	260	381	350	350	N.A.
2500	460	199	400	10x10x20SHP	16HXB	5	1.94	8915	618	268	398	350	350	N.A.
2500	473	205	400	10x10x20SHP	16HXB	5	1.94	9105	631	273	415	400	400	N.A.
2500	480	208	400	10x10x20SHP	16HXB	5	1.94	9795	640	277	424	400	400	N.A.
2500	490	212	400	10x10x20SHP	16HXB	5	1.94	9985	647	280	432	400	400	N.A.
2500	500	216	400	10x10x20SHP	16HXB	5	1.94	10175	670	290	450	400	400	N.A.
2500	510	221	400	10x10x20SHP	16HXB	5	1.94	10365	698	302	465	450	450	N.A.
2500	520	225	400	10x10x20SHP	16HXB	5	1.94	10555	716	310	482	450	450	N.A.
2500	530	229	400	10x10x20SHP	16HXB	5	1.94	10745	723	313	491	450	450	N.A.
2500	540	234	400	10x10x20SHP	16HXB	5	1.94	10935	730	316	500	450	450	N.A.
2500	550	238	400	10x10x20SHP	16HXB	5	1.94	11125	755	327	515	450	450	N.A.
2500	560	242	400	10x10x20SHP	16HXB	6	1.94	11350	758	328	500	450	450	N.A.
2500	570	247	400	10x10x20SHP	16HXB	6	1.94	11540	767	332	510	450	450	N.A.
2500	580	251	400	10x10x20SHP	16HXB	6	1.94	11730	776	336	520	500	500	N.A.
2500	590	255	400	10x10x20SHP	16HXB	6	1.94	11920	790	342	530	500	500	N.A.
2500	600	260	400	10x10x20SHP	16HXB	6	1.94	12100	804	348	540	500	500	N.A.
2500	610	264	400	10x10x20SHP	16HXB	6	1.94	12300	822	356	550	500	500	N.A.
2500	620	268	400	10x10x20SHP	16HXB	6	1.94	12490	841	364	560	500	500	N.A.
2500	630	273	400	10x10x20SHP	16HXB	6	1.94	12680	864	374	576	600	600	N.A.
2500	640	277	400	10x10x20SHP	16HXB	6	1.94	12870	871	377	588	600	600	N.A.
2500	647	280	400	10x10x20SHP	16HXB	6	1.94	13003	878	380	600	600	600	N.A.
2500	240	104	175	12x12x20S	16HXB	3	1.94	4665	336	145	210.0	200	200	200
2500	250	108	175	12x12x20S	16HXB	3	1.94	4855	350	152	220.0	200	200	200
2500	260	113	175	12x12x20S	16HXB	3	1.94	5045	361	156	230.0	200	200	200
2500	270	117	175	12x12x20S	16HXB	3	1.94	5235	372	161	240.0	250	250	250
2500	280	121	175	12x12x20S	16HXB	3	1.94	5425	380	165	250.0	250	250	250
2500	290	126	175	12x12x20S	16HXB	3	1.94	5615	389	168	260.0	250	250	250
2500	300	130	175	12x12x20S	16HXB	3	1.94	5805	403	174	270.0	250	250	250
2500	310	134	175	12x12x20S	16HXB	3	1.94	5995	421	182	280.0	250	250	250
2500	320	139	175	12x12x20S	16HXB	3	1.94	6185	431	187	288.0	250	250	250
2500	330	143	175	12x12x20S	16HXB	3	1.94	6375	440	190	300.0	300	300	300
2500	310	134	380	12x12x20SHP	16HXB	3	1.94	5995	421	182	280.0	250	250	250
2500	320	139	380	12x12x20SHP	16HXB	3	1.94	6185	431	187	288.0	250	250	250
2500	330	143	380	12x12x20SHP	16HXB	3	1.94	6375	440	190	300.0	300	300	300
2500	340	147	380	12x12x20SHP	16HXB	3	1.94	6565	454	197	310.0	300	300	300
2500	350	152	380	12x12x20SHP	16HXB	4	1.94	6904	480	208	305.0	300	300	300
2500	360	156	380	12x12x20SHP	16HXB	4	1.94	6980	490	212	310.0	300	300	300
2500	370	160	380	12x12x20SHP	16HXB	4	1.94	7170	495	214	319.0	300	300	300
2500	380	165	380	12x12x20SHP	16HXB	4	1.94	7360	505	219	332.0	300	300	300
2500	390	169	380	12x12x20SHP	16HXB	4	1.94	7550	517	224	346.0	350	350	350
2500	400	173	380	12x12x20SHP	16HXB	4	1.94	7740	536	232	360.0	350	350	350
2500	410	177	380	12x12x20SHP	16HXB	4	1.94	7930	560	242	372.0	350	350	350
2500	420	182	380	12x12x20SHP	16HXB	4	1.94	8120	573	248	386.0	350	350	350
2500	430	186	380	12x12x20SHP	16HXB	4	1.94	8310	585	253	400.0	350	350	350
2500	440	190	380	12x12x20SHP	16HXB	4	1.94	8500	604	261	412.0	400	400	400
2500	450	195	380	12x12x20SHP	16HXB	5	1.94	8752	600	260	381.0	350	350	350
2500	460	199	380	12x12x20SHP	16HXB	5	1.94	8915	618	268	398.0	350	350	350
2500	473	205	380	12x12x20SHP	16HXB	5	1.94	9105	631	273	415.0	400	400	400
2500	480	208	380	12x12x20SHP	16HXB	5	1.94	9795	640	277	424.0	400	N.A.	N.A.
2500	490	212	380	12x12x20SHP	16HXB	5	1.94	9985	647	280	432.0	400	N.A.	N.A.
2500	500	216	380	12x12x20SHP	16HXB	5	1.94	10175	670	290	450.0	400	N.A.	N.A.
2500	510	221	380	12x12x20SHP	16HXB	5	1.94	10365	698	302	465.0	450	450	450
2500	520	225	380	12x12x20SHP	16HXB	5	1.94	10555	716	310	482.0	450	450	450
2500	530	229	380	12x12x20SHP	16HXB	5	1.94	10745	723	313	491.0	450	450	450
2500	540	234	380	12x12x20SHP	16HXB	5	1.94	10935	730	316	500.0	450	450	450
2500	550	238	380	12x12x20SHP	16HXB	5	1.94	11125	755	327	515.0	450	450	450
2500	560	242	380	12x12x20SHP	16HXB	6	1.94	11350	758	328	500.0	450	450	450
2500	570	247	380	12x12x20SHP	16HXB	6	1.94	11540	767	332	510.0	450	450	450



**VERTICAL TURBINE FIRE PUMPS  
60 HZ ELECTRIC MOTOR DRIVEN DRIVEN  
1760 RPM PUMP**

**60 Hertz Motor Drive**

US GPM	BOWL HEAD FEET (MEASURED AT TOP BOWL OUTLET NOT DISCHARGE FLG)	BOWL HEAD PSI (MEASURED AT TOP BOWL OUTLET NOT DISCHARGE FLG)	DISCHARGE HEAD MAXIMUM WORKING PRESSURE	DISCHARGE HEAD SIZE	PUMP MODEL	NO OF PUMP STGS	COLUMN SHAFT SIZE	PUMP DOWN THRUST LB.	SHUT OFF HEAD FEET	SHUT OFF HEAD PSI	PUMP MAX BHP	WPI MOTOR HP UL LISTED PUMP	WPI MOTOR HP ULC LISTED PUMP	WPI MOTOR HP FM APPROVED PUMP
2500	580	251	380	12x12x20SHP	16HXBFB	6	1.94	11730	776	336	520.0	500	N.A.	N.A.
2500	590	255	380	12x12x20SHP	16HXBFB	6	1.94	11920	790	342	530.0	500	N.A.	N.A.
2500	600	260	380	12x12x20SHP	16HXBFB	6	1.94	12100	804	348	540.0	500	N.A.	N.A.
2500	610	264	380	12x12x20SHP	16HXBFB	6	1.94	12300	822	356	550.0	500	N.A.	N.A.
2500	620	268	380	12x12x20SHP	16HXBFB	6	1.94	12490	841	364	560.0	500	N.A.	N.A.
2500	630	273	380	12x12x20SHP	16HXBFB	6	1.94	12680	864	374	576.0	600	N.A.	N.A.
2500	640	277	380	12x12x20SHP	16HXBFB	6	1.94	12870	871	377	588.0	600	N.A.	N.A.
2500	647	280	380	12x12x20SHP	16HXBFB	6	1.94	13003	878	380	600.0	600	N.A.	N.A.
3000	259	112	175	12x12x20S	18HXBFB	2	1.94	6348	319	138	334.0	300	300	300
3000	266	115	175	12x12x20S	18HXBFB	2	1.94	6516	325	141	344.0	300	300	300
3000	277	120	175	12x12x20S	18HXBFB	2	1.94	6780	335	145	361.0	350	350	350
3000	289	125	175	12x12x20S	18HXBFB	3	1.94	7139	397	172	348.0	350	350	350
3000	300	130	175	12x12x20S	18HXBFB	3	1.94	7402	401	174	364.0	350	350	350
3000	312	135	175	12x12x20S	18HXBFB	3	1.94	7690	413	179	381.0	350	350	350
3000	323	140	175	12x12x20S	18HXBFB	3	1.94	7953	424	184	396.0	350	350	350
3000	335	145	175	12x12x20S	18HXBFB	3	1.94	8240	436	189	414.0	400	400	400
3000	347	150	175	12x12x20S	18HXBFB	3	1.94	8528	446	193	432.0	400	400	400
3000	358	155	175	12x12x20S	18HXBFB	3	1.94	8792	455	197	449.0	400	400	400
3000	360	156	380	12x12x20SHP	16HXBFB	4	1.94	7400	510	221	370.0	350	N.A.	N.A.
3000	370	160	380	12x12x20SHP	16HXBFB	4	1.94	7600	520	225	387.0	350	N.A.	N.A.
3000	370	160	175	12x12x20S	18HXBFB	3	1.94	9079	464	201	460.0	400	400	400
3000	380	165	380	12x12x20SHP	16HXBFB	4	1.94	8200	530	229	390.0	350	N.A.	N.A.
3000	381	165	175	12x12x20S	18HXBFB	3	1.94	9343	475	206	483.0	450	450	450
3000	393	170	175	12x12x20S	18HXBFB	3	1.94	9630	484	210	503.0	450	450	450
3000	404	175	175	12x12x20S	18HXBFB	3	1.94	9894	493	213	517.0	450	450	450
3000	416	180	400	12x12x20SHP	18HXBFB	3	1.94	10181	503	218	538.0	500	500	500
3000	427	185	400	12x12x20SHP	18HXBFB	4	1.94	10516	565	245	522.0	500	500	500
3000	439	190	400	12x12x20SHP	18HXBFB	4	1.94	10804	576	249	540.0	500	500	500
3000	450	195	400	12x12x20SHP	18HXBFB	4	1.94	11067	581	252	555.0	500	NA	NA
3000	462	200	400	12x12x20SHP	18HXBFB	4	1.94	11355	593	257	572.0	500	NA	NA
3000	474	205	400	12x12x20SHP	18HXBFB	4	1.94	11642	604	261	590.0	600	NA	NA
3000	485	210	400	12x12x20SHP	18HXBFB	4	1.94	11906	614	266	607.0	600	NA	NA
3000	497	215	400	12x12x20SHP	18HXBFB	4	1.94	12193	624	270	626.0	600	NA	NA
3000	508	220	400	12x12x20SHP	18HXBFB	4	1.94	12457	631	273	641.0	600	NA	NA
3000	520	225	400	12x12x20SHP	18HXBFB	4	1.94	12744	643	278	659.0	600	NA	NA
3000	531	230	400	12x12x20SHP	18HXBFB	4	1.94	13008	652	282	678.0	600	NA	NA
3000	543	235	400	12x12x20SHP	18HXBFB	4	1.94	13295	662	287	690.0	600	NA	NA
3000	554	240	400	12x12x20SHP	18HXBFB	4	1.94	13559	671	290	715.0	700	NA	NA
3000	270	117	150	14x14x24.5S	20HXBFB	2	2.19	9690	339	147	421.0	400	400	400
3000	280	121	150	14x14x24.5S	20HXBFB	2	2.19	10040	351	152	436.0	400	400	400
3000	290	126	150	14x14x24.5S	20HXBFB	2	2.19	10390	363	157	451.0	400	400	400
3000	300	130	150	14x14x24.5S	20HXBFB	2	2.19	10740	375	162	466.0	450	450	450
3000	310	134	150	14x14x24.5S	20HXBFB	2	2.19	11090	387	168	481.0	450	450	450
3000	320	139	150	14x14x24.5S	20HXBFB	2	2.19	11440	399	173	495.0	450	450	450
3000	290	126	210	14x14x24.5SHP	20HXBFB	2	2.19	10390	363	157	451.0	400	400	400
3000	300	130	210	14x14x24.5SHP	20HXBFB	2	2.19	10740	375	162	466.0	450	450	450
3000	310	134	210	14x14x24.5SHP	20HXBFB	2	2.19	11090	387	168	481.0	450	450	450
3000	320	139	210	14x14x24.5SHP	20HXBFB	2	2.19	11440	399	173	495.0	450	450	450
3000	330	143	210	14x14x24.5SHP	20HXBFB	2	2.19	11790	411	178	511.0	450	450	450
3000	340	147	210	14x14x24.5SHP	20HXBFB	2	2.19	12140	423	183	526.0	500	500	500
3000	350	152	210	14x14x24.5SHP	20HXBFB	2	2.19	12490	435	188	541.0	500	500	500
3500	250	108	175	12x12x20S	18HXBFB	2	1.94	6178	326	141	324.0	300	300	300
3500	260	113	175	12x12x20S	18HXBFB	2	1.94	6398	333	144	340.0	300	300	300
3500	270	117	175	12x12x20S	18HXBFB	2	1.94	6618	340	147	355.0	350	350	350
3500	280	121	175	12x12x20S	18HXBFB	2	1.94	6838	353	153	373.0	350	350	350
3500	290	126	175	12x12x20S	18HXBFB	3	1.94	7121	390	169	365.0	350	350	350
3500	300	130	175	12x12x20S	18HXBFB	3	1.94	7341	407	176	391.0	350	350	350
3500	310	134	175	12x12x20S	18HXBFB	3	1.94	7561	413	179	402.0	350	350	350
3500	320	139	175	12x12x20S	18HXBFB	3	1.94	7781	417	181	410.0	400	400	400
3500	330	143	175	12x12x20S	18HXBFB	3	1.94	8001	427	185	417.0	400	400	400
3500	340	147	175	12x12x20S	18HXBFB	3	1.94	8221	443	192	427.0	400	400	400
3500	320	139	380	12x12x20SHP	18HXBFB	3	1.94	7781	417	181	410.0	400	400	400
3500	330	143	380	12x12x20SHP	18HXBFB	3	1.94	8001	427	185	417.0	400	400	400
3500	340	147	380	12x12x20SHP	18HXBFB	3	1.94	8221	443	192	427.0	400	400	400
3500	350	152	380	12x12x20SHP	18HXBFB	3	1.94	8441	474	205	448.0	400	400	400



**VERTICAL TURBINE FIRE PUMPS  
60 HZ ELECTRIC MOTOR DRIVEN  
1760 RPM PUMP**

*60 Hertz Motor Drive*

US GPM	BOWL HEAD FEET (MEASURED AT TOP BOWL OUTLET NOT DISCHARGE FLG)	BOWL HEAD PSI (MEASURED AT TOP BOWL OUTLET NOT DISCHARGE FLG)	DISCHARGE HEAD MAXIMUM WORKING PRESSURE	DISCHARGE HEAD SIZE	PUMP MODEL	NO OF PUMP STGS	COLUMN SHAFT SIZE	PUMP DOWN THRUST LB.	SHUT OFF HEAD FEET	SHUT OFF HEAD PSI	PUMP MAX BHP	WPI MOTOR HP UL LISTED PUMP	WPI MOTOR HP ULC LISTED PUMP	WPI MOTOR HP FM APPROVED PUMP
3500	360	156	380	12x12x20SHP	18HXB	3	1.94	8661	479	207	459.0	400	400	400
3500	370	160	380	12x12x20SHP	18HXB	3	1.94	8881	483	209	479.0	450	450	450
3500	380	165	380	12x12x20SHP	18HXB	3	1.94	9101	490	212	495.0	450	450	450
3500	390	169	380	12x12x20SHP	18HXB	3	1.94	9321	500	216	510.0	450	450	450
3500	400	173	380	12x12x20SHP	18HXB	3	1.94	9541	505	219	534.0	500	500	500
3500	410	177	380	12x12x20SHP	18HXB	3	1.94	9761	515	223	548.0	500	500	500
3500	420	182	380	12x12x20SHP	18HXB	3	1.94	9981	525	227	566.0	500	500	500
3500	420	182	380	12x12x20SHP	18HXB	3	1.94	9981	525	227	566.0	600	600	600
3500	427	185	380	12x12x20SHP	18HXB	4	1.94	9565	578	250	551.0	500*	NA	NA
3500	439	190	380	12x12x20SHP	18HXB	4	1.94	9825	590	255	568.0	500*	NA	NA
3500	450	195	380	12x12x20SHP	18HXB	4	1.94	10064	601	260	585.0	600	NA	NA
3500	462	200	380	12x12x20SHP	18HXB	4	1.94	10325	612	265	612.0	600	NA	NA
3500	474	205	380	12x12x20SHP	18HXB	4	1.94	10586	623	270	623.0	600	NA	NA
3500	485	210	380	12x12x20SHP	18HXB	4	1.94	10825	630	273	639.0	600	NA	NA
3500	497	215	380	12x12x20SHP	18HXB	4	1.94	11086	642	278	658.0	600	NA	NA
3500	511	221	380	12x12x20SHP	18HXB	4	1.94	11325	652	282	677.0	600	NA	NA
3500	260	113	150	14x14x24.5S	20HXB	2	2.19	9690	339	147	421.0	400	400	400
3500	270	117	150	14x14x24.5S	20HXB	2	2.19	10040	351	152	436.0	400	400	400
3500	280	121	150	14x14x24.5S	20HXB	2	2.19	10390	363	157	451.0	400	400	400
3500	290	126	150	14x14x24.5S	20HXB	2	2.19	10740	375	162	466.0	450	450	450
3500	300	130	150	14x14x24.5S	20HXB	2	2.19	11090	387	168	481.0	450	450	450
3500	310	134	150	14x14x24.5S	20HXB	2	2.19	11440	399	173	495.0	450	450	450
3500	290	126	210	14x14x24.5SHP	20HXB	2	2.19	10740	375	162	466.0	450	450	450
3500	300	130	210	14x14x24.5SHP	20HXB	2	2.19	11090	387	168	481.0	450	450	450
3500	310	134	210	14x14x24.5SHP	20HXB	2	2.19	11440	399	173	495.0	450	450	450
3500	320	139	210	14x14x24.5SHP	20HXB	2	2.19	10390	363	157	451.0	400	400	400
3500	320	139	210	14x14x24.5SHP	20HXB	2	2.19	11790	411	178	511.0	450	450	450
3500	330	143	210	14x14x24.5SHP	20HXB	2	2.19	12140	423	183	526.0	500	500	500
3500	340	147	210	14x14x24.5SHP	20HXB	2	2.19	12490	435	188	541.0	500	500	500
4000	250	108	150	14x14x24.5S	20HXB	2	2.19	9690	339	147	421.0	400	400	400
4000	260	113	150	14x14x24.5S	20HXB	2	2.19	10040	351	152	436.0	400	400	400
4000	270	117	150	14x14x24.5S	20HXB	2	2.19	10390	363	157	451.0	400	400	400
4000	280	121	150	14x14x24.5S	20HXB	2	2.19	10740	375	162	466.0	450	450	450
4000	290	126	150	14x14x24.5S	20HXB	2	2.19	11090	387	168	481.0	450	450	450
4000	300	130	150	14x14x24.5S	20HXB	2	2.19	11440	399	173	495.0	450	450	450
4000	270	117	210	14x14x24.5SHP	20HXB	2	2.19	10390	363	157	451.0	400	400	400
4000	280	121	210	14x14x24.5SHP	20HXB	2	2.19	10740	375	162	466.0	450	450	450
4000	290	126	210	14x14x24.5SHP	20HXB	2	2.19	11090	387	168	481.0	450	450	450
4000	300	130	210	14x14x24.5SHP	20HXB	2	2.19	11440	399	173	495.0	450	450	450
4000	310	134	210	14x14x24.5SHP	20HXB	2	2.19	11790	411	178	511.0	450	450	450
4000	320	139	210	14x14x24.5SHP	20HXB	2	2.19	12140	423	183	526.0	500	500	500
4000	330	143	210	14x14x24.5SHP	20HXB	2	2.19	12490	435	188	541.0	500	500	500
4000	340	147	210	14x14x24.5SHP	20HXB	2	2.19	11460	444	192	575.0	500	500	500
4000	350	152	210	14x14x24.5SHP	20HXB	2	2.19	11790	457	198	601.0	600	600	600
4000	360	156	210	14x14x24.5SHP	20HXB	2	2.19	12120	476	206	628.0	600	600	600
4000	374	162	210	14x14x24.5SHP	20HXB	2	2.19	12582	485	210	635.0	600	600	600
4000	381	165	280	14x14x24.5SHP	20HXB	3	2.19	13483	534	231	644	600	N.A.	N.A.
4000	393	170	280	14x14x24.5SHP	20HXB	3	2.19	13881	550	238	668	600	N.A.	N.A.
4000	404	175	280	14x14x24.5SHP	20HXB	3	2.19	14279	566	245	695	700	N.A.	N.A.
4000	416	180	280	14x14x24.5SHP	20HXB	3	2.19	14677	582	252	711	700	N.A.	N.A.
4000	427	185	280	14x14x24.5SHP	20HXB	3	2.19	15074	598	259	731	700	N.A.	N.A.
4000	439	190	280	14x14x24.5SHP	20HXB	3	2.19	15472	614	266	752	700	N.A.	N.A.
4000	450	195	280	14x14x24.5SHP	20HXB	3	2.19	15870	631	273	773	700	N.A.	N.A.
4000	462	200	280	14x14x24.5SHP	20HXB	3	2.19	16267	647	280	810	800	N.A.	N.A.
4000	474	205	280	14x14x24.5SHP	20HXB	3	2.19	16665	663	287	820	800	N.A.	N.A.
4000	485	210	280	14x14x24.5SHP	20HXB	3	2.19	17063	679	294	848	800	N.A.	N.A.
4000	490	212	280	14x14x24.5SHP	20HXB	3	2.19	17222	684	296	860	800	N.A.	N.A.
4500	240	104	150	14x14x24.5S	20HXB	2	2.19	9690	339	147	421.0	400	400	400
4500	250	108	150	14x14x24.5S	20HXB	2	2.19	10040	357	155	436.0	400	400	400
4500	260	113	150	14x14x24.5S	20HXB	2	2.19	10390	363	157	451.0	400	400	400
4500	270	117	150	14x14x24.5S	20HXB	2	2.19	10740	375	162	466.0	450	450	450
4500	280	121	150	14x14x24.5S	20HXB	2	2.19	11090	387	168	481.0	450	450	450
4500	290	126	150	14x14x24.5S	20HXB	2	2.19	11440	399	173	495.0	450	450	450
4500	260	113	210	14x14x24.5SHP	20HXB	2	2.19	10390	363	157	451.0	400	400	400
4500	270	117	210	14x14x24.5SHP	20HXB	2	2.19	10740	375	162	466.0	450	450	450



**VERTICAL TURBINE FIRE PUMPS  
60 HZ ELECTRIC MOTOR DRIVEN  
1760 RPM PUMP**

**60 Hertz Motor Drive**

US GPM	BOWL HEAD FEET (MEASURED AT TOP BOWL OUTLET NOT DISCHARGE FLG)	BOWL HEAD PSI (MEASURED AT TOP BOWL OUTLET NOT DISCHARGE FLG)	DISCHARGE HEAD MAXIMUM WORKING PRESSURE	DISCHARGE HEAD SIZE	PUMP MODEL	NO OF PUMP STGS	COLUMN SHAFT SIZE	PUMP DOWN THRUST LB.	SHUT OFF HEAD FEET	SHUT OFF HEAD PSI	PUMP MAX BHP	WPI MOTOR HP UL LISTED PUMP	WPI MOTOR HP ULC LISTED PUMP	WPI MOTOR HP FM APPROVED PUMP
4500	280	121	210	14x14x24.5SHP	20HXBFB	2	2.19	11090	387	168	481.0	450	450	450
4500	290	126	210	14x14x24.5SHP	20HXBFB	2	2.19	11440	399	173	495.0	450	450	450
4500	300	130	210	14x14x24.5SHP	20HXBFB	2	2.19	11790	411	178	511.0	450	450	450
4500	310	134	210	14x14x24.5SHP	20HXBFB	2	2.19	12140	423	183	526.0	500	500	500
4500	320	139	210	14x14x24.5SHP	20HXBFB	2	2.19	12490	435	188	541.0	500	500	500
4500	330	143	210	14x14x24.5SHP	20HXBFB	2	2.19	10635	444	192	575.0	500	500	500
4500	340	147	210	14x14x24.5SHP	20HXBFB	2	2.19	10950	457	198	601.0	600	600	600
4500	350	152	210	14x14x24.5SHP	20HXBFB	2	2.19	11265	476	206	628.0	600	600	600
4500	360	156	210	14x14x24.5SHP	20HXBFB	2	2.19	11580	485	210	635.0	600	600	600
4500	370	160	280	14x14x24.5SHP	20HXBFB	3	2.19	12485	517	224	648	600	NA	NA
4500	381	165	280	14x14x24.5SHP	20HXBFB	3	2.19	12864	534	231	673	600	NA	NA
4500	393	170	280	14x14x24.5SHP	20HXBFB	3	2.19	13243	550	238	695	700	NA	NA
4500	404	175	280	14x14x24.5SHP	20HXBFB	3	2.19	13622	566	245	717	700	NA	NA
4500	416	180	280	14x14x24.5SHP	20HXBFB	3	2.19	14001	582	252	737	700	NA	NA
4500	427	185	280	14x14x24.5SHP	20HXBFB	3	2.19	14380	598	259	758	700	NA	NA
4500	439	190	280	14x14x24.5SHP	20HXBFB	3	2.19	14759	614	266	779	700	NA	NA
4500	450	195	280	14x14x24.5SHP	20HXBFB	3	2.19	15137	631	273	808	800	NA	NA
4500	462	200	280	14x14x24.5SHP	20HXBFB	3	2.19	15517	647	280	826	800	NA	NA
4500	469	203	280	14x14x24.5SHP	20HXBFB	3	2.19	15744	656	284	842	800	NA	NA
5000	310	134	150	14x14x24.5S	20HXBFB	2	2.19	12490	430	186	541.0	600	NA	NA
5000	310	134	210	14x14x24.5SHP	20HXBFB	2	2.19	12490	430	186	541.0	600	NA	NA
5000	320	139	210	14x14x24.5SHP	20HXBFB	2	2.19	9680	444	192	575.0	600	600	600
5000	330	143	210	14x14x24.5SHP	20HXBFB	2	2.19	9975	457	198	601.0	600	600	600
5000	340	147	210	14x14x24.5SHP	20HXBFB	2	2.19	10270	476	206	628.0	600	600	600
5000	351	152	210	14x14x24.5SHP	20HXBFB	2	2.19	10595	485	210	635.0	600	600	600
5000	370	160	280	14x14x24.5SHP	20HXBFB	3	2.19	11700	517	224	669	600	NA	NA
5000	381	165	280	14x14x24.5SHP	20HXBFB	3	2.19	12100	534	231	695	700	NA	NA
5000	393	170	280	14x14x24.5SHP	20HXBFB	3	2.19	12700	550	238	713	700	NA	NA
5000	404	175	280	14x14x24.5SHP	20HXBFB	3	2.19	13900	566	245	734	700	NA	NA
5000	416	180	280	14x14x24.5SHP	20HXBFB	3	2.19	13500	582	252	755	700	NA	NA
5000	427	185	280	14x14x24.5SHP	20HXBFB	3	2.19	13700	598	259	777	700	NA	NA
5000	439	190	280	14x14x24.5SHP	20HXBFB	3	2.19	14000	614	266	799	700	NA	NA
5000	450	195	280	14x14x24.5SHP	20HXBFB	3	2.19	14250	631	273	824	800	NA	NA
5000	460	199	280	14x14x24.5SHP	20HXBFB	3	2.19	14300	644	279	848	800	NA	NA



**VERTICAL TURBINE FIRE PUMPS**  
**50 HZ ELECTRIC MOTOR DRIVEN**  
**1460 RPM PUMP**

**50 Hertz Motor**

US GPM	DISCHARGE HEAD MAXIMUM WORKING PRESSURE	BOWL HEAD FEET (MEASURED AT TOP BOWL OUTLET NOT DISCHARGE FLG)	DISCHARGE HEAD SIZE	BOWL HEAD PSI (MEASURED AT TOP BOWL OUTLET NOT DISCHARGE FLG)	COLUMN SHAFT SIZE	PUMP MODEL	NO OF PUMP STGS.	PUMP DOWN THRUST LB.	SHUT OFF HEAD FEET	SHUT OFF HEAD PSI	PUMP MAX BHP	WPI MTR HP UL LISTED	WPI MTR HP ULC LISTED	WPI MTR HP FM APPROVED
500	175	97	6x8x16.5S	42	1.19	12MBF	3	1175	109	47	20.00	20	NA	NA
500	175	99	6x8x16.5S	43	1.19	12MBF	3	1225	111	48	21.00	20	NA	20
500	175	104	6x8x16.5S	45	1.19	12MBF	3	1276	116	50	22.40	20	NA	20
500	175	116	6x8x16.5S	50	1.19	12MBF	3	1405	130.5	56	26.00	25	NA	25
500	175	127	6x8x16.5S	55	1.19	12MBF	3	1545	142	61	29.70	30	NA	30
500	175	139	6x8x16.5S	60	1.19	12MBF	4	1706	159.5	69	29.70	30	NA	30
500	175	150	6x8x16.5S	65	1.19	12MBF	4	1834	170.5	74	33.25	30	NA	30
500	175	162	6x8x16.5S	70	1.19	12MBF	4	1974	182.5	79	37.00	40	NA	40
500	175	173	6x8x16.5S	75	1.19	12MBF	4	2103	193	84	41.00	40	NA	40
500	175	185	6x8x16.5S	80	1.19	12MBF	5	2264	211	91	41.00	40	NA	40
500	175	196	6x8x16.5S	85	1.19	12MBF	5	2392	222	96	44.20	40	NA	40
500	175	208	6x8x16.5S	90	1.19	12MBF	5	2532	233.4	101	48.00	50	NA	50
500	175	219	6x8x16.5S	95	1.19	12MBF	6	2681	250	108	48.00	50	NA	50
500	175	231	6x8x16.5S	100	1.19	12MBF	6	2821	262	113	52.00	50	NA	50
500	175	243	6x8x16.5S	105	1.19	12MBF	6	2961	273	118	55.50	50	NA	50
500	175	254	6x8x16.5S	110	1.19	12MBF	6	3090	284	123	59.20	60	NA	60
500	175	266	6x8x16.5S	115	1.19	12MBF	7	3251	302	131	59.00	60	NA	60
500	175	277	6x8x16.5S	120	1.19	12MBF	7	3379	313	135	62.80	60	NA	60
500	175	289	6x8x16.5S	125	1.19	12MBF	7	3519	325	141	66.00	60	NA	60
500	175	300	6x8x16.5S	130	1.19	12MBF	7	3647	335.19	145	70.20	75	NA	75
500	175	312	6x8x16.5S	135	1.19	12MBF	8	3808	353	153	70.00	75	NA	75
500	175	323	6x8x16.5S	140	1.19	12MBF	8	3937	364	158	73.76	75	NA	75
500	175	335	6x8x16.5S	145	1.19	12MBF	8	4077	376	163	78.00	75	NA	75
500	175	347	6x8x16.5S	150	1.19	12MBF	8	4217	387	168	81.53	75	NA	75
500	175	358	6x8x16.5S	155	1.19	12MBF	9	4366	404	175	81.53	75	NA	75
500	175	370	6x8x16.5S	160	1.19	12MBF	9	4506	416	180	85.00	75	NA	75
500	175	381	6x8x16.5S	165	1.19	12MBF	9	4635	427	185	89.00	100	NA	100
500	175	393	6x8x16.5S	170	1.19	12MBF	10	4796	445	193	89.00	100	NA	100
500	175	404	6x8x16.5S	175	1.19	12MBF	10	4924	455.7	197	92.50	100	NA	100
500	230	416	6x8x16.5SHP	180	1.19	12MBF	10	5064	467	202	96.00	100	NA	100
500	230	427	6x8x16.5SHP	185	1.19	12MBF	10	5192	478	207	100.00	100	NA	100
500	230	439	6x8x16.5SHP	190	1.19	12MBF	11	5353	495.7	215	99.70	100	NA	100
500	230	450	6x8x16.5SHP	195	1.19	12MBF	11	5482	507	219	103.46	100	NA	100
500	230	462	6x8x16.5SHP	200	1.19	12MBF	11	5622	519	225	107.40	100	NA	100
500	230	474	6x8x16.5SHP	205	1.19	12MBF	11	5762	522	226	111.13	100	NA	100
500	230	485	6x8x16.5SHP	210	1.19	12MBF	11	6051	525	227	118.00	125	NA	125
500	230	497	6x8x16.5SHP	215	1.19	12MBF	11	6051	525	227	118.00	125	NA	125
750	175	92	6x8x16.5SHP	40	1.50	12MBF	3	892	118	51	24.90	25	NA	25
750	175	97	6x8x16.5SHP	42	1.50	12MBF	3	900	121	52	26.00	25	NA	25
750	175	104	6x8x16.5SHP	45	1.50	12MBF	3	1000	131	57	29.00	25	NA	25
750	175	116	6x8x16.5SHP	50	1.50	12MBF	3	1099	143	62	33.00	30	NA	30
750	175	127	6x8x16.5SHP	55	1.50	12MBF	3	1207	156	68	38.00	40	NA	40
750	175	139	6x8x16.5SHP	60	1.50	12MBF	4	1336	175	76	39.00	40	NA	40
750	175	150	6x8x16.5SHP	65	1.50	12MBF	4	1436	188	81	43.00	40	NA	40
750	175	162	6x8x16.5SHP	70	1.50	12MBF	4	1544	200	87	46.00	40	NA	40
750	175	173	6x8x16.5SHP	75	1.50	12MBF	4	1643	212	92	52.00	50	NA	50
750	175	185	6x8x16.5SHP	80	1.50	12MBF	5	1772	231	100	53.00	50	NA	50
750	175	196	6x8x16.5SHP	85	1.50	12MBF	5	1871	244	106	57.00	50	NA	50
750	175	208	6x8x16.5SHP	90	1.50	12MBF	5	1979	256	111	62.00	60	NA	60
750	175	219	6x8x16.5SHP	95	1.50	12MBF	5	2078	269	116	66.40	60	NA	60
750	175	231	6x8x16.5SHP	100	1.50	12MBF	6	2207	288	125	66.00	60	NA	60
750	175	243	6x8x16.5SHP	105	1.50	12MBF	6	2315	301	130	72.00	75	NA	75
750	175	254	6x8x16.5SHP	110	1.50	12MBF	6	2415	314	136	77.00	75	NA	75
750	175	266	6x8x16.5SHP	115	1.50	12MBF	6	2523	326	141	81.00	75	NA	75
750	175	277	6x8x16.5SHP	120	1.50	12MBF	7	2643	344	149	81.00	75	NA	75
750	175	289	6x8x16.5SHP	125	1.50	12MBF	7	2751	357	155	86.00	75	NA	75
750	175	300	6x8x16.5SHP	130	1.50	12MBF	7	2850	370	160	91.00	100	NA	100
750	175	312	6x8x16.5SHP	135	1.50	12MBF	7	2958	383	166	95.00	100	NA	100
750	175	323	6x8x16.5SHP	140	1.50	12MBF	8	3078	400	173	95.00	100	NA	100
750	175	335	6x8x16.5SHP	145	1.50	12MBF	8	3187	414	179	100.00	100	NA	100
750	175	347	6x8x16.5SHP	150	1.50	12MBF	8	3295	427	185	105.00	100	NA	100
750	175	358	6x8x16.5SHP	155	1.50	12MBF	8	3394	439	190	110.00	100	NA	100
750	175	370	6x8x16.5SHP	160	1.50	12MBF	9	3523	458	198	109.54	100	NA	100
750	175	381	6x8x16.5SHP	165	1.50	12MBF	9	3622	470	203	114.00	100	NA	100



**VERTICAL TURBINE FIRE PUMPS  
50 HZ ELECTRIC MOTOR DRIVEN  
1460 RPM PUMP**

**50 Hertz Motor**

US GPM	DISCHARGE HEAD MAXIMUM WORKING PRESSURE	BOWL HEAD FEET (MEASURED AT TOP BOWL OUTLET NOT DISCHARGE FLG)	DISCHARGE HEAD SIZE	BOWL HEAD PSI (MEASURED AT TOP BOWL OUTLET NOT DISCHARGE FLG)	COLUMN SHAFT SIZE	PUMP MODEL	NO OF PUMP STGS.	PUMP DOWN THRUST LB.	SHUT OFF HEAD FEET	SHUT OFF HEAD PSI	PUMP MAX BHP	WPI MTR HP UL LISTED	WPI MTR HP ULC LISTED	WPI MTR HP FM APPROVED
750	175	393	6x8x16.5SHP	170	1.50	12MBF	9	3730	483	209	119.00	125	NA	125
750	175	404	6x8x16.5SHP	175	1.50	12MBF	9	3829	496	215	124.00	125	NA	125
750	230	416	6x8x16.5SHP	180	1.50	12MBF	10	3958	514	223	124.00	125	NA	125
750	230	427	6x8x16.5SHP	185	1.50	12MBF	10	4058	526	228	128.00	125	NA	125
750	230	439	6x8x16.5SHP	190	1.50	12MBF	10	4166	540	234	133.00	125	NA	125
750	230	450	6x8x16.5SHP	195	1.50	12MBF	10	4265	551	239	138.00	125	NA	125
750	230	462	6x8x16.5SHP	200	1.50	12MBF	11	4394	570	247	138.00	125	NA	125
750	230	474	6x8x16.5SHP	205	1.50	12MBF	11	4502	584	253	143.00	125	NA	125
750	230	485	6x8x16.5SHP	210	1.50	12MBF	11	4601	596	258	148.00	150	NA	150
750	230	497	6x8x16.5SHP	215	1.50	12MBF	12	4730	615	266	148.00	150	NA	150
750	230	508	6x8x16.5SHP	220	1.50	12MBF	12	4829	627	271	152.59	150	NA	150
750	230	520	6x8x16.5SHP	225	1.50	12MBF	12	4937	640	277	157.00	150	NA	150
750	230	531	6x8x16.5SHP	230	1.50	12MBF	12	5037	652	282	162.00	150	NA	150
750	324	543	8x8x16.5SHP	235	1.50	12MBF	13	5166	671	290	162.00	150	NA	150
750	324	554	8x8x16.5SHP	240	1.50	12MBF	13	5265	684	296	167.00	150	NA	150
750	324	566	8x8x16.5SHP	245	1.50	12MBF	13	5373	696	301	171.00	150	NA	150
750	324	578	8x8x16.5SHP	250	1.50	12MBF	13	5481	709	307	176.00	200	NA	200
750	324	589	8x8x16.5SHP	255	1.50	12MBF	14	5601	727	315	176.00	200	NA	200
750	324	601	8x8x16.5SHP	260	1.50	12MBF	14	5709	741	321	181.00	200	NA	200
750	324	612	8x8x16.5SHP	265	1.50	12MBF	14	5809	752	326	185.00	200	NA	200
750	324	624	8x8x16.5SHP	270	1.50	12MBF	14	5917	766	332	190.00	200	NA	200
750	324	635	8x8x16.5SHP	275	1.50	12MBF	14	6036	774	332	190.00	200	NA	200
750	324	647	8x8x16.5SHP	280	1.50	12MBF	14	6145	786	337	192.00	200	NA	200
750	324	658	8x8x16.5SHP	285	1.50	12MBF	14	6370	768	332	192.00	200	NA	200
750	324	672	8x8x16.5SHP	291	1.50	12MBF	14	6370	768	332	192.00	200	NA	200
1000	175	92	10x10x16.5/20	40	1.94	14MCF	2	935	118	51	34.00	30	NA	30
1000	175	104	10x10x16.5/20	45	1.94	14MCF	2	1048	129	56	40.00	40	NA	40
1000	175	116	10x10x16.5/20	50	1.94	14MCF	2	1152	140	60	46.00	40	NA	40
1000	175	127	10x10x16.5/20	55	1.94	14MCF	3	1298	167	72	46.00	40	NA	40
1000	175	139	10x10x16.5/20	60	1.94	14MCF	3	1411	179	77	51.53	50	NA	50
1000	175	150	10x10x16.5/20	65	1.94	14MCF	3	1515	188	82	57.20	50	NA	50
1000	175	162	10x10x16.5/20	70	1.94	14MCF	3	1629	199	86	63.50	60	NA	60
1000	175	173	10x10x16.5/20	75	1.94	14MCF	3	1732	210	91	69.00	60	NA	60
1000	175	185	10x10x16.5/20	80	1.94	14MCF	4	1879	238	103	68.52	60	NA	60
1000	175	196	10x10x16.5/20	85	1.94	14MCF	4	1983	248	107	74.20	75	NA	75
1000	175	208	10x10x16.5/20	90	1.94	14MCF	4	2096	258	112	80.00	75	NA	75
1000	175	219	10x10x16.5/20	95	1.94	14MCF	4	2209	270	117	86.00	75	NA	75
1000	175	231	10x10x16.5/20	100	1.94	14MCF	4	2313	280	121	92.00	100	NA	100
1000	175	243	10x10x16.5/20	105	1.94	14MCF	5	2459	308	133	91.59	100	NA	100
1000	175	254	10x10x16.5/20	110	1.94	14MCF	5	2563	318	138	97.00	100	NA	100
1000	175	266	10x10x16.5/20	115	1.94	14MCF	5	2677	328	142	103.50	100	NA	100
1000	175	277	10x10x16.5/20	120	1.94	14MCF	5	2781	340	147	109.00	100	NA	100
1000	175	289	10x10x16.5/20	125	1.94	14MCF	5	2894	350	152	115.00	100	NA	100
1000	175	300	10x10x16.5/20	130	1.94	14MCF	6	3031	377	163	114.00	100	NA	100
1000	175	312	10x10x16.5/20	135	1.94	14MCF	6	3135	387	168	120.00	125	NA	125
1000	175	323	10x10x16.5/20	140	1.94	14MCF	6	3257	398	172	127.00	125	NA	125
1000	175	335	10x10x16.5/20	145	1.94	14MCF	6	3371	410	177	133.00	125	NA	125
1000	175	347	10x10x16.5/20	150	1.94	14MCF	6	3474	420	182	139.00	125	NA	125
1000	175	358	10x10x16.5/20	155	1.94	14MCF	6	3578	430	186	144.00	125	NA	125
1000	175	370	10x10x16.5/20	160	1.94	14MCF	7	3725	458	198	144.00	125	NA	125
1000	175	381	10x10x16.5/20	165	1.94	14MCF	7	3838	470	203	150.00	150	NA	150
1000	175	393	10x10x16.5/20	170	1.94	14MCF	7	3942	479	207	155.00	150	NA	150
1000	175	404	10x10x16.5/20	175	1.94	14MCF	7	4046	489	212	161.56	150	NA	150
1000	400	416	10x10x16.5/20SHP	180	1.94	14MCF	7	4159	500	216	168.00	150	NA	150
1000	400	427	10x10x16.5/20SHP	185	1.94	14MCF	8	4296	527	228	166.00	150	NA	150
1000	400	439	10x10x16.5/20SHP	190	1.94	14MCF	8	4409	539	233	172.00	150	NA	150
1000	400	450	10x10x16.5/20SHP	195	1.94	14MCF	8	4513	548	237	178.00	200	NA	200
1000	400	462	10x10x16.5/20SHP	200	1.94	14MCF	8	4626	559	242	185.00	200	NA	200
1000	400	474	10x10x16.5/20SHP	205	1.94	14MCF	8	4740	570	247	191.00	200	NA	200
1000	400	485	10x10x16.5/20SHP	210	1.94	14MCF	9	4877	597	258	190.00	200	NA	200
1000	400	497	10x10x16.5/20SHP	215	1.94	14MCF	9	4990	609	264	195.00	200	NA	200
1000	400	508	10x10x16.5/20SHP	220	1.94	14MCF	9	5094	618	268	202.00	200	NA	200
1000	400	520	10x10x16.5/20SHP	225	1.94	14MCF	9	5207	628	272	208.00	200	NA	200
1000	400	531	10x10x16.5/20SHP	230	1.94	14MCF	9	5311	640	277	214.00	200	NA	200



**VERTICAL TURBINE FIRE PUMPS**  
**50 HZ ELECTRIC MOTOR DRIVEN**  
**1460 RPM PUMP**

**50 Hertz Motor**

US GPM	DISCHARGE HEAD MAXIMUM WORKING PRESSURE	BOWL HEAD FEET (MEASURED AT TOP BOWL OUTLET NOT DISCHARGE FLG)	DISCHARGE HEAD SIZE	BOWL HEAD PSI (MEASURED AT TOP BOWL OUTLET NOT DISCHARGE FLG)	COLUMN SHAFT SIZE	PUMP MODEL	NO OF PUMP STGS.	PUMP DOWN THRUST LB.	SHUT OFF HEAD FEET	SHUT OFF HEAD PSI	PUMP MAX BHP	WPI MTR HP UL LISTED	WPI MTR HP ULC LISTED	WPI MTR HP FM APPROVED
1000	400	543	10x10x16.5/20SHP	235	1.94	14MCF	10	5457	668	289	212.00	200	NA	200
1000	400	554	10x10x16.5/20SHP	240	1.94	14MCF	10	5561	678	294	218.00	200	NA	200
1000	400	566	10x10x16.5/20SHP	245	1.94	14MCF	10	5674	688	298	225.00	200	NA	200
1000	400	578	10x10x16.5/20SHP	250	1.94	14MCF	10	5788	700	303	230.00	200	NA	200
1000	400	589	10x10x16.5/20SHP	255	1.94	14MCF	10	5892	710	307	237.00	250	NA	250
1000	400	601	10x10x16.5/20SHP	260	1.94	14MCF	10	6038	721	312	246.00	250	NA	250
1000	400	612	10x10x16.5/20SHP	265	1.94	14MCF	10	6142	740	320	248.00	250	NA	250
1000	400	624	10x10x16.5/20SHP	270	1.94	14MCF	10	6255	751	325	250.00	250	NA	250
1000	400	635	10x10x16.5/20SHP	275	1.94	14MCF	10	6472	756	327	252.00	250	NA	250
1000	400	647	10x10x16.5/20SHP	280	1.94	14MCF	10	6472	756	327	252.00	250	NA	250
1250	111	48	10x10x16.5S	175	1.5	14MDF	2	2843	143	62	69.00	60	60	NA
1250	113	49	10x10x16.5S	175	1.5	14MDF	2	2900	146	63	69.00	60	60	60
1250	116	50	10x10x16.5S	175	1.5	14MDF	2	2907	147	64	69.00	60	60	60
1250	127	55	10x10x16.5S	175	1.5	14MDF	2	3142	159	69	74.00	75	75	75
1250	139	60	10x10x16.5S	175	1.5	14MDF	2	3399	173	75	85.60	75	75	75
1250	150	65	10x10x16.5S	175	1.5	14MDF	3	3565	201	87	95.50	100	100	100
1250	162	70	10x10x16.5S	175	1.5	14MDF	3	3864	209	90	101.00	100	100	100
1250	173	75	10x10x16.5S	175	1.5	14MDF	3	4189	219	95	104.00	100	100	100
1250	185	80	10x10x16.5S	175	1.5	14MDF	3	4445	233	101	109.00	100	100	100
1250	196	85	10x10x16.5S	175	1.5	14MDF	3	4681	245	106	115.00	100	100	100
1250	208	90	10x10x16.5S	175	1.5	14MDF	3	4958	260	113	120.00	125	125	125
1250	219	95	10x10x16.5S	175	1.5	14MDF	3	5194	272	118	123.00	125	125	125
1250	231	100	10x10x16.5S	175	1.5	14MDF	4	5492	292	126	139.00	125	125	125
1250	243	105	10x10x16.5S	175	1.5	14MDF	4	5749	306	132	143.75	125	125	125
1250	254	110	10x10x16.5S	175	1.5	14MDF	4	6085	320	139	149.00	150	150	150
1250	266	115	10x10x16.5S	175	1.5	14MDF	4	6341	333	144	155.00	150	150	150
1250	277	120	10x10x16.5S	175	1.5	14MDF	4	6576	346	150	160.00	150	150	150
1250	289	125	10x10x16.5S	175	1.5	14MDF	4	6833	359	155	163.30	150	150	150
1250	300	130	10x10x16.5S	175	1.94	14MDF	5	7131	379	164	179.00	200	200	200
1250	312	135	10x10x16.5S	175	1.94	14MDF	5	7388	393	170	184.00	200	200	200
1250	323	140	10x10x16.5S	175	1.94	14MDF	5	7623	406	176	190.00	200	200	200
1250	335	145	10x10x16.5S	175	1.94	14MDF	5	7880	419	181	195.00	200	200	200
1250	335	145	10x10x16.5SHP	400	1.94	14MDF	5	7880	419	181	195.00	200	200	200
1250	347	150	10x10x16.5SHP	400	1.94	14MDF	5	8136	433	187	200.00	200	200	200
1250	358	155	10x10x16.5SHP	400	1.94	14MDF	5	8393	446	193	206.00	200	200	200
1250	370	160	10x10x16.5SHP	400	1.94	14MDF	6	8691	466	202	220.00	200	200	200
1250	381	165	10x10x16.5SHP	400	1.94	14MDF	6	8926	479	207	223.00	200	200	200
1250	393	170	10x10x16.5SHP	400	1.94	14MDF	6	9304	493	213	230.00	200	200	200
1250	404	175	10x10x20SHP	400	1.94	14MDF	6	9560	506	219	235.00	250	250	250
1250	416	180	10x10x20SHP	400	1.94	14MDF	6	9817	520	225	240.00	250	250	250
1250	427	185	10x10x20SHP	400	1.94	14MDF	6	9931	532	230	244.00	250	250	250
1250	439	190	10x10x20SHP	400	1.94	14MDF	6	10188	545	236	246.00	250	250	250
1250	450	195	10x10x20SHP	400	1.94	14MDF	7	10607	566	245	265.00	250	250	250
1250	462	200	10x10x20SHP	400	1.94	14MDF	7	10864	580	251	270.00	250	250	250
1250	474	205	10x10x20SHP	400	1.94	14MDF	7	11099	592	256	275.00	250	250	250
1250	485	210	10x10x20SHP	400	1.94	14MDF	7	11355	605	262	280.00	250	250	250
1250	497	215	10x10x20SHP	400	1.94	14MDF	7	11612	619	268	285.00	250	250	250
1250	508	220	10x10x20SHP	400	1.94	14MDF	7	11868	632	274	287.50	250	250	250
1250	520	225	10x10x20SHP	400	1.94	14MDF	8	12167	653	283	304.00	300	300	300
1250	531	230	10x10x20SHP	400	1.94	14MDF	8	12402	666	288	309.00	300	300	300
1250	543	235	10x10x20SHP	400	1.94	14MDF	8	12659	679	294	315.00	300	300	300
1250	554	240	10x10x20SHP	400	1.94	14MDF	8	12915	692	300	320.00	300	300	300
1250	566	245	10x10x20SHP	400	1.94	14MDF	8	13172	706	306	323.00	300	300	300
1250	578	250	10x10x20SHP	400	1.94	14MDF	8	13428	719	311	326.00	300	300	300
1250	589	255	10x10x20SHP	400	1.94	14MDF	8	13713	733	317	330.00	300	300	300
1250	603	261	10x10x20SHP	400	1.94	14MDF	8	13713	733	317	330.00	300	300	300
1500	175	106	10x10x16.5/20SHP	46	1.94	14MDF	2	2703	141	61	68.10	60	N.A.	60
1500	175	116	10x10x16.5/20SHP	50	1.94	14MDF	2	2917	154	67	72.30	75	N.A.	75
1500	175	127	10x10x16.5/20SHP	55	1.94	14MDF	2	3153	167	72	80.00	75	N.A.	75
1500	175	139	10x10x16.5/20SHP	60	1.94	14MDF	2	3411	181	78	82.00	75	N.A.	75
1500	175	150	10x10x16.5/20SHP	65	1.94	14MDF	3	3520	211	91	102.00	100	N.A.	100
1500	175	162	10x10x16.5/20SHP	70	1.94	14MDF	3	3968	216	94	103.50	100	N.A.	100
1500	175	173	10x10x16.5/20SHP	75	1.94	14MDF	3	4204	229	99	108.10	100	N.A.	100
1500	175	185	10x10x16.5/20SHP	80	1.94	14MDF	3	4462	244	106	118.00	125	N.A.	125



**VERTICAL TURBINE FIRE PUMPS**  
**50 HZ ELECTRIC MOTOR DRIVEN**  
**1460 RPM PUMP**

**50 Hertz Motor**

US GPM	DISCHARGE HEAD MAXIMUM WORKING PRESSURE	BOWL HEAD FEET (MEASURED AT TOP BOWL OUTLET NOT DISCHARGE FLG)	DISCHARGE HEAD SIZE	BOWL HEAD PSI (MEASURED AT TOP BOWL OUTLET NOT DISCHARGE FLG)	COLUMN SHAFT SIZE	PUMP MODEL	NO OF PUMP STGS.	PUMP DOWN THRUST LB.	SHUT OFF HEAD FEET	SHUT OFF HEAD PSI	PUMP MAX BHP	WPI MTR HP UL LISTED	WPI MTR HP ULC LISTED	WPI MTR HP FM APPROVED
1500	175	196	10x10x16.5/20SHP	85	1.94	14MDF	3	4698	257	111	120.00	125	N.A.	125
1500	175	208	10x10x16.5/20SHP	90	1.94	14MDF	3	4977	272	118	123.00	125	N.A.	125
1500	175	219	10x10x16.5/20SHP	95	1.94	14MDF	4	5255	291	126	139.20	125	N.A.	125
1500	175	231	10x10x16.5/20SHP	100	1.94	14MDF	4	5513	306	132	143.00	125	N.A.	125
1500	175	243	10x10x16.5/20SHP	105	1.94	14MDF	4	5770	320	139	149.20	150	N.A.	150
1500	175	254	10x10x16.5/20SHP	110	1.94	14MDF	4	6107	335	145	160.00	150	N.A.	150
1500	175	266	10x10x16.5/20SHP	115	1.94	14MDF	4	6365	349	151	162.00	150	N.A.	150
1500	175	277	10x10x16.5/20SHP	120	1.94	14MDF	4	6601	362	157	163.90	150	N.A.	150
1500	175	289	10x10x16.5/20SHP	125	1.94	14MDF	5	6901	383	166	180.40	200	N.A.	200
1500	175	300	10x10x16.5/20SHP	130	1.94	14MDF	5	7158	397	172	185.40	200	N.A.	200
1500	175	312	10x10x16.5/20SHP	135	1.94	14MDF	5	7416	411	178	198.00	200	N.A.	200
1500	175	323	10x10x16.5/20SHP	140	1.94	14MDF	5	7652	425	184	200.00	200	N.A.	200
1500	400	335	10x10x16.5/20SHP	145	1.94	14MDF	5	7909	439	190	203.00	200	N.A.	200
1500	400	347	10x10x16.5/20SHP	150	1.94	14MDF	5	8167	453	196	205.00	200	N.A.	200
1500	400	358	10x10x16.5/20SHP	155	1.94	14MDF	6	8466	474	205	220.00	200	N.A.	200
1500	400	370	10x10x16.5/20SHP	160	1.94	14MDF	6	8845	488	211	237.00	250	N.A.	250
1500	400	381	10x10x16.5/20SHP	165	1.94	14MDF	6	9081	501	217	240.00	250	N.A.	250
1500	400	393	10x10x16.5/20SHP	170	1.94	14MDF	6	9339	516	223	242.00	250	N.A.	250
1500	400	404	10x10x16.5/20SHP	175	1.94	14MDF	6	9596	530	229	244.00	250	N.A.	250
1500	400	416	10x10x16.5/20SHP	180	1.94	14MDF	6	9733	544	235	246.00	250	N.A.	250
1500	400	427	10x10x16.5/20SHP	185	1.94	14MDF	7	10132	564	244	275.00	250	N.A.	250
1500	400	439	10x10x16.5/20SHP	190	1.94	14MDF	7	10390	578	250	278.00	250	N.A.	250
1500	400	450	10x10x16.5/20SHP	195	1.94	14MDF	7	10647	592	256	280.00	250	N.A.	250
1500	400	462	10x10x16.5/20SHP	200	1.94	14MDF	7	10905	607	263	283.00	250	N.A.	250
1500	400	474	10x10x16.5/20SHP	205	1.94	14MDF	7	11162	621	269	285.00	250	N.A.	250
1500	400	485	10x10x16.5/20SHP	210	1.94	14MDF	7	11398	634	274	287.00	250	N.A.	250
1500	400	497	10x10x16.5/20SHP	215	1.94	14MDF	8	11698	655	284	317.00	300	N.A.	300
1500	400	508	10x10x16.5/20SHP	220	1.94	14MDF	8	11956	669	290	320.00	300	N.A.	300
1500	400	520	10x10x16.5/20SHP	225	1.94	14MDF	8	12213	684	296	322.00	300	N.A.	300
1500	400	531	10x10x16.5/20SHP	230	1.94	14MDF	8	12449	697	302	327.00	300	N.A.	300
1500	400	543	10x10x16.5/20SHP	235	1.94	14MDF	8	12707	711	308	329.00	300	N.A.	300
1500	400	554	10x10x16.5/20SHP	240	1.94	14MDF	8	13119	733	317	330.00	300	N.A.	300
1500	400	564	10x10x16.5/20SHP	244	1.94	14MDF	8	13119	733	317	330.00	300	N.A.	300
2000	175	150	12x12x20S	65	1.94	18HXB	2	4445	199	86	160.00	150	N.A.	N.A.
2000	175	162	12x12x20S	70	1.94	18HXB	2	4456	200	87	161.00	150	N.A.	150
2000	175	173	12x12x20S	75	1.94	18HXB	2	4693	208	90	172.00	150	N.A.	150
2000	175	185	12x12x20S	80	1.94	18HXB	2	5008	218	94	187.00	200	N.A.	200
2000	175	196	10x10x16.5/20S	85	1.94	16MCF	3	2172	262	113	138.50	125	125	125
2000	175	196	12x12x20S	85	1.94	18HXB	2	5298	227	98	202.00	200	N.A.	200
2000	175	208	10x10x16.5/20S	90	1.94	16MCF	3	2296	274	119	148.00	150	150	150
2000	175	208	12x12x20S	90	1.94	18HXB	3	5685	269	116	193.00	200	N.A.	200
2000	175	219	10x10x16.5/20S	95	1.94	16MCF	3	2409	285	123	158.00	150	150	150
2000	175	219	12x12x20S	95	1.94	18HXB	3	5974	279	121	206.00	200	N.A.	200
2000	175	231	10x10x16.5/20S	100	1.94	16MCF	3	2533	291	126	170.50	150	150	150
2000	175	231	12x12x20S	100	1.94	18HXB	3	6290	287	124	221.00	200	N.A.	200
2000	175	243	10x10x16.5/20S	105	1.94	16MCF	4	2707	330	143	170.00	150	150	150
2000	175	243	12x12x20S	105	1.94	18HXB	3	6605	299	129	235.00	250	N.A.	250
2000	175	254	10x10x16.5/20S	110	1.94	16MCF	4	2820	339	147	180.00	200	200	200
2000	175	254	12x12x20S	110	1.94	18HXB	3	6895	308	133	249.00	250	N.A.	250
2000	175	266	10x10x16.5/20S	115	1.94	16MCF	4	2944	351	152	189.00	200	200	200
2000	175	266	12x12x20S	115	1.94	18HXB	3	7210	318	138	264.00	250	N.A.	250
2000	175	277	10x10x16.5/20S	120	1.94	16MCF	4	3058	359	155	199.00	200	200	200
2000	175	277	12x12x20S	120	1.94	18HXB	4	7499	328	142	278.00	250	N.A.	250
2000	175	289	10x10x16.5/20S	125	1.94	16MCF	4	3182	371	161	210.00	200	200	200
2000	175	289	12x12x20S	125	1.94	18HXB	3	7815	337	146	294.00	300	N.A.	300
2000	175	300	10x10x16.5/20S	130	1.94	16MCF	4	3295	379	164	220.00	200	200	200
2000	175	300	12x12x20S	130	1.94	18HXB	3	8104	347	150	308.00	300	N.A.	300
2000	175	312	10x10x16.5/20S	135	1.94	16MCF	4	3419	390	169	230.00	200	200	200
2000	175	312	12x12x20S	135	1.94	18HXB	4	8492	389	168	298.00	300	N.A.	300
2000	175	323	10x10x16.5/20S	140	1.94	16MCF	5	2582	429	186	228.00	200	200	200
2000	175	323	12x12x20S	140	1.94	18HXB	4	8781	395	171	311.00	300	N.A.	300
2000	175	335	10x10x16.5/20S	145	1.94	16MCF	5	3706	439	190	239.00	250	250	250
2000	175	335	12x12x20S	145	1.94	18HXB	4	9096	407	176	326.00	300	N.A.	300
2000	175	347	10x10x16.5/20S	150	1.94	16MCF	5	3830	451	195	249.00	250	250	250



**VERTICAL TURBINE FIRE PUMPS**  
**50 HZ ELECTRIC MOTOR DRIVEN**  
**1460 RPM PUMP**

**50 Hertz Motor**

US GPM	DISCHARGE HEAD MAXIMUM WORKING PRESSURE	BOWL HEAD FEET (MEASURED AT TOP BOWL OUTLET NOT DISCHARGE FLG)	DISCHARGE HEAD SIZE	BOWL HEAD PSI (MEASURED AT TOP BOWL OUTLET NOT DISCHARGE FLG)	COLUMN SHAFT SIZE	PUMP MODEL	NO OF PUMP STGS.	PUMP DOWN THRUST LB.	SHUT OFF HEAD FEET	SHUT OFF HEAD PSI	PUMP MAX BHP	WPI MTR HP UL LISTED	WPI MTR HP ULC LISTED	WPI MTR HP FM APPROVED
2000	175	347	12x12x20S	150	1.94	18HXBFB	4	9412	419	181	341.00	300	N.A.	300
2000	175	358	10x10x16.5/20S	155	1.94	16MCF	5	3943	459	199	259.00	250	250	250
2000	175	358	12x12x20S	155	1.94	18HXBFB	4	9701	428	185	355.00	350	N.A.	350
2000	175	370	10x10x16.5/20S	160	1.94	16MCF	5	4067	471	204	269.00	250	250	250
2000	175	370	12x12x20S	160	1.94	18HXBFB	4	10017	437	189	370.00	350	N.A.	350
2000	175	381	10x10x16.5/20S	165	1.94	16MCF	5	4181	479	207	281.00	250	250	250
2000	175	381	12x12x20S	165	1.94	18HXBFB	4	10306	447	194	384.00	350	N.A.	350
2000	175	393	10x10x16.5/20S	170	1.94	16MCF	5	4305	490	212	287.00	250	250	250
2000	175	393	12x12x20S	170	1.94	18HXBFB	4	10621	457	198	401.00	350	N.A.	350
2000	175	404	10x10x16.5/20S	175	1.94	16MCF	6	4468	530	229	287.00	250	250	250
2000	175	404	12x12x20S	175	1.94	18HXBFB	4	10911	466	202	415.00	400*	N.A.	400*
2000	400	416	10x10x16.5/20S	180	1.94	16MCF	6	4592	539	233	299.00	300	300	300
2000	380	416	12x12x20SHP	180	1.94	18HXBFB	5	11298	509	220	403.00	400*	N.A.	400*
2000	400	427	10x10x16.5/20S	185	1.94	16MCF	6	4705	550	238	308.00	400*	300	400*
2000	380	427	12x12x20SHP	185	1.94	18HXBFB	5	11587	515	223	417.00	400*	N.A.	400*
2000	400	439	10x10x16.5/20S	190	1.94	16MCF	6	4829	559	242	319.00	400*	300	400*
2000	380	439	12x12x20SHP	190	1.94	18HXBFB	5	11903	527	228	431.00	400*	N.A.	400*
2000	400	450	10x10x16.5/20S	195	1.94	16MCF	6	4943	570	247	239.00	400*	300	400*
2000	380	450	12x12x20SHP	195	1.94	18HXBFB	5	12192	538	233	446.00	400*	N.A.	400*
2000	400	462	10x10x16.5/20S	200	1.94	16MCF	6	5066	579	251	341.00	400*	300	400*
2000	380	462	12x12x20SHP	200	1.94	18HXBFB	5	12508	547	237	460.00	400*	N.A.	400*
2000	400	474	10x10x16.5/20S	205	1.94	16MCF	6	5190	589	255	345.00	400*	300	400*
2000	380	474	12x12x20SHP	205	1.94	18HXBFB	5	12797	556	241	474.00	400*	N.A.	400*
2000	400	485	10x10x16.5/20S	210	1.94	16MCF	6	5221	616	267	357.00	400*	350	400*
2000	380	485	12x12x20SHP	210	1.94	18HXBFB	5	13113	567	245	491.00	400*	N.A.	400*
2000	400	490	10x10x16.5/20S	212	1.94	16MCF	6	5221	616	267	357.00	400*	350	400*
2000	380	497	12x12x20SHP	215	1.94	18HXBFB	5	13428	576	249	504.00	400*	N.A.	400*
2000	380	508	12x12x20SHP	220	1.94	18HXBFB	5	13717	593	257	505.00	400*	N.A.	400*
2000	380	520	12x12x20SHP	225	1.94	18HXBFB	5	13717	593	257	505.00	400*	N.A.	400*
2000	380	531	12x12x20SHP	230	1.94	18HXBFB	5	13717	593	257	505.00	400*	N.A.	400*
2000	380	552	12x12x20SHP	239	1.94	18HXBFB	5	13717	600	260	510.00	400*	N.A.	400*
2500	175	141	12x12x20S	61	1.94	18HXBFB	2	3720	195	84	155.00	400*	N.A.	400*
2500	175	150	12x12x20S	65	1.94	18HXBFB	2	3728	197	85	155.00	400*	N.A.	400*
2500	175	162	12x12x20S	70	1.94	18HXBFB	2	4015	206	89	169.00	400*	N.A.	400*
2500	175	173	12x12x20S	75	1.94	18HXBFB	2	4278	216	94	183.00	400*	N.A.	400*
2500	175	185	12x12x20S	80	1.94	18HXBFB	2	4565	225	97	199.00	400*	N.A.	400*
2500	175	196	12x12x20S	85	1.94	18HXBFB	3	4900	271	117	195.00	400*	N.A.	400*
2500	175	208	12x12x20S	90	1.94	18HXBFB	3	5187	278	120	210.00	400*	N.A.	400*
2500	175	219	12x12x20S	95	1.94	18HXBFB	3	5449	289	125	222.00	400*	N.A.	400*
2500	175	231	12x12x20S	100	1.94	18HXBFB	3	5736	301	130	237.00	400*	N.A.	400*
2500	175	243	12x12x20S	105	1.94	18HXBFB	3	6023	311	135	253.00	400*	N.A.	400*
2500	175	254	12x12x20S	110	1.94	18HXBFB	3	6286	319	138	265.00	400*	N.A.	400*
2500	175	266	12x12x20S	115	1.94	18HXBFB	3	6573	330	143	281.00	400*	N.A.	400*
2500	175	277	12x12x20S	120	1.94	18HXBFB	3	6836	338	146	296.00	400*	N.A.	400*
2500	175	289	12x12x20S	125	1.94	18HXBFB	3	7122	349	151	311.00	400*	N.A.	400*
2500	175	300	12x12x20S	130	1.94	18HXBFB	4	7457	395	171	306.00	400*	N.A.	400*
2500	175	312	12x12x20S	135	1.94	18HXBFB	4	7744	402	174	320.00	400*	N.A.	400*
2500	175	323	12x12x20S	140	1.94	18HXBFB	4	8007	413	179	333.00	400*	N.A.	400*
2500	175	335	12x12x20S	145	1.94	18HXBFB	4	8294	424	184	345.00	400*	N.A.	400*
2500	175	347	12x12x20S	150	1.94	18HXBFB	4	8580	432	187	363.00	400*	N.A.	400*
2500	175	358	12x12x20S	155	1.94	18HXBFB	4	8843	443	192	377.00	400*	N.A.	400*
2500	175	370	12x12x20S	160	1.94	18HXBFB	4	9130	453	196	394.00	400*	N.A.	400*
2500	175	381	12x12x20S	165	1.94	18HXBFB	4	9393	462	200	402.00	400*	N.A.	400*
2500	175	393	12x12x20S	170	1.94	18HXBFB	5	9752	508	220	402.00	400*	N.A.	400*
2500	175	404	12x12x20S	175	1.94	18HXBFB	5	10015	514	223	416.00	400*	N.A.	400*
2500	380	416	12x12x20SHP	180	1.94	18HXBFB	5	10301	526	228	430.00	400*	N.A.	400*
2500	380	427	12x12x20SHP	185	1.94	18HXBFB	5	10564	537	232	445.00	400*	N.A.	400*
2500	380	439	12x12x20SHP	190	1.94	18HXBFB	5	10851	547	237	460.00	400*	N.A.	400*
2500	380	450	12x12x20SHP	195	1.94	18HXBFB	5	11114	555	240	474.00	400*	N.A.	400*
2500	380	462	12x12x20SHP	200	1.94	18HXBFB	5	11401	566	245	489.00	400*	N.A.	400*
2500	380	474	12x12x20SHP	205	1.94	18HXBFB	5	11663	575	249	503.00	400*	N.A.	400*
2500	380	485	12x12x20SHP	210	1.94	18HXBFB	5	11950	585	253	504.00	400*	N.A.	400*
2500	380	497	12x12x20SHP	215	1.94	18HXBFB	5	12000	593	257	505.00	400*	N.A.	400*
2500	380	508	12x12x20SHP	220	1.94	18HXBFB	5	12000	593	257	505.00	400*	N.A.	400*



**VERTICAL TURBINE FIRE PUMPS  
50 HZ ELECTRIC MOTOR DRIVEN  
1460 RPM PUMP**

**50 Hertz Motor**

US GPM	DISCHARGE HEAD MAXIMUM WORKING PRESSURE	BOWL HEAD FEET (MEASURED AT TOP BOWL OUTLET NOT DISCHARGE FLG)	DISCHARGE HEAD SIZE	BOWL HEAD PSI (MEASURED AT TOP BOWL OUTLET NOT DISCHARGE FLG)	COLUMN SHAFT SIZE	PUMP MODEL	NO OF PUMP STGS.	PUMP DOWN THRUST LB.	SHUT OFF HEAD FEET	SHUT OFF HEAD PSI	PUMP MAX BHP	WPI MTR HP UL LISTED	WPI MTR HP ULC LISTED	WPI MTR HP FM APPROVED
2500	380	511	12x12x20SHP	221	1.94	18HXBFB	5	12000	593	257	505.00	400*	N.A.	400*
2500	380	517	12x12x20SHP	224	1.94	18HXBFB	5	12000	593	257	505.00	400*	N.A.	400*
3000	175	141	12x12x20S	61	1.94	18HXBFB	2	2977	189	82	143.75	400*	N.A.	400*
3000	175	150	12x12x20S	65	1.94	18HXBFB	2	3316	202	87	164.00	400*	N.A.	400*
3000	175	162	12x12x20S	70	1.94	18HXBFB	2	3569	213	92	180.00	400*	N.A.	400*
3000	175	173	12x12x20S	75	1.94	18HXBFB	2	3802	223	97	196.00	400*	N.A.	400*
3000	175	185	12x12x20S	80	1.94	18HXBFB	2	4056	236	102	211.00	400*	N.A.	400*
3000	175	196	12x12x20S	85	1.94	18HXBFB	3	4360	285	123	207.00	400*	N.A.	400*
3000	175	208	12x12x20S	90	1.94	18HXBFB	3	4614	294	127	223.00	400*	N.A.	400*
3000	175	219	12x12x20S	95	1.94	18HXBFB	3	4846	301	130	237.00	400*	N.A.	400*
3000	175	231	12x12x20S	100	1.94	18HXBFB	3	5100	312	135	254.00	400*	N.A.	400*
3000	175	243	12x12x20S	105	1.94	18HXBFB	3	5354	321	139	268.00	400*	N.A.	400*
3000	175	254	12x12x20S	110	1.94	18HXBFB	3	5586	331	143	284.00	400*	N.A.	400*
3000	175	266	12x12x20S	115	1.94	18HXBFB	3	5840	341	148	300.00	400*	N.A.	400*
3000	175	277	12x12x20S	120	1.94	18HXBFB	4	6145	387	168	296.00	400*	N.A.	400*
3000	175	289	12x12x20S	125	1.94	18HXBFB	4	6398	396	171	312.00	400*	N.A.	400*
3000	175	300	12x12x20S	130	1.94	18HXBFB	4	6631	407	176	326.00	400*	N.A.	400*
3000	175	312	12x12x20S	135	1.94	18HXBFB	4	6885	419	181	341.00	400*	N.A.	400*
3000	175	323	12x12x20S	140	1.94	18HXBFB	4	7117	429	186	357.00	400*	N.A.	400*
3000	175	335	12x12x20S	145	1.94	18HXBFB	4	7371	438	190	371.00	400*	N.A.	400*
3000	175	347	12x12x20S	150	1.94	18HXBFB	4	7625	449	194	388.00	400*	N.A.	400*
3000	175	358	12x12x20S	155	1.94	18HXBFB	4	7857	459	199	402.00	400*	N.A.	400*
3000	175	370	12x12x20S	160	1.94	18HXBFB	5	8183	506	219	399.00	400*	N.A.	400*
3000	175	381	12x12x20S	165	1.94	18HXBFB	5	8416	513	222	415.00	400*	N.A.	400*
3000	175	393	12x12x20S	170	1.94	18HXBFB	5	8670	525	227	429.00	400*	N.A.	400*
3000	175	404	12x12x20S	175	1.94	18HXBFB	5	8902	536	232	443.00	400*	N.A.	400*
3000	380	416	12x12x20SHP	180	1.94	18HXBFB	5	9156	547	237	460.00	400*	N.A.	400*
3000	380	427	12x12x20SHP	185	1.94	18HXBFB	5	9388	555	240	474.00	450*	N.A.	450*
3000	380	439	12x12x20SHP	190	1.94	18HXBFB	5	9642	567	245	491.00	450*	N.A.	450*
3000	380	450	12x12x20SHP	195	1.94	18HXBFB	5	9875	576	249	508.00	450*	N.A.	450*
3000	380	462	12x12x20SHP	200	1.94	18HXBFB	5	10128	587	254	517.00	450*	N.A.	450*
3000	380	474	12x12x20SHP	205	1.94	18HXBFB	5	10128	587	254	517.00	450*	N.A.	450*

\* Motors 400 Hp and above are NOT UL Listed

### **Pump and Engine Selection Table Information**

The diesel engine driven fire pump selection tables are on following pages these have the bare pump pricing.

The *Pump-Gear Bhp* shown is equal to the input Bhp and is 4% greater than the right angle gear rated output Bhp. The right angle gears have a 96% efficiency rating and the Pump-Gear Bhp is shown for proper selection of engine. Select the pump required noting the Pump Gear Bhp required and the Pump Down Thrust lbs. and bare pump list price. Go to the Diesel engine drive component price pages that follow pump selection table pages and select the drive component (Engine, right angle gear and flexible drive shaft) that has right angle gear down thrust value equal to or greater than Pump Down Thrust and a Input Bhp rating value equal to or greater than Pump-Gear Bhp. The jobsite's elevation and ambient temperature should be equal to or less than drive component table Input Bhp captions values. If greater than those values see important note below.

#### **IMPORTANT NOTE**

***The jobsite's altitude and temperature of air entering the engine's air cleaner must be known before using the selection tables. All engine selections are based on the Bhp rating at 300, 1000, 2000 feet elevation above sea level at an ambient temperature of 77° degrees F. If the jobsite's elevation and temperature are greater than these values, then refer to pages 48.10 and 48.11 for instructions on de-rating engine.***



**VERTICAL TURBINE FIRE PUMPS  
DIESEL ENGINE DRIVEN  
1760 PUMP RPM**

**Diesel Engine Drive**

US GPM	BOWL HEAD FEET (MEASURED AT TOP BOWL OUTLET NOT DISCHARGE FLG)	BOWL HEAD PSI (MEASURED AT TOP BOWL OUTLET NOT DISCHARGE FLG)	DISCHARGE HEAD MAXIMUM WORKING PRESSURE	DISCHARGE HEAD SIZE	PUMP MODEL	NO. OF PUMP STGS.	COLUMN SHAFT SIZE	PUMP DOWN THRUST LB.	SHUT OFF HEAD FEET	SHUT OFF HEAD PSI	MAX PUMP GEAR BHP	UL LISTED FOR ENGINE DRIVE	ULC LISTED FOR ENGINE DRIVE	FM APPROVED FOR ENGINE DRIVE
500	116	50	175	6x8x16.5S	10MAF	3	1.19	885	146	63	24	YES	YES	YES
500	127	55	175	6x8x16.5S	10MAF	3	1.19	1015	162	70	27	YES	YES	YES
500	139	60	175	6x8x16.5S	10MAF	4	1.19	1030	172	74	28	YES	YES	YES
500	150	65	175	6x8x16.5S	10MAF	4	1.19	1086	183	79	30	YES	YES	YES
500	162	70	175	6x8x16.5S	10MAF	4	1.19	1156	201	87	32	YES	YES	YES
500	173	75	175	6x8x16.5S	10MAF	4	1.19	1249	213	92	34	YES	YES	YES
500	185	80	175	6x8x16.5S	10MAF	5	1.19	1308	225	97	35	YES	YES	YES
500	196	85	175	6x8x16.5S	10MAF	5	1.19	1375	242	105	38	YES	YES	YES
500	208	90	175	6x8x16.5S	10MAF	5	1.19	1445	260	113	42	YES	YES	YES
500	219	95	175	6x8x16.5S	10MAF	6	1.19	1519	264	114	42	YES	YES	YES
500	231	100	175	6x8x16.5S	10MAF	6	1.19	1593	283	123	45	YES	YES	YES
500	243	105	175	6x8x16.5S	10MAF	6	1.19	1664	301	130	48	YES	YES	YES
500	254	110	175	6x8x16.5S	10MAF	6	1.19	1740	321	139	51	YES	YES	YES
500	266	115	175	6x8x16.5S	10MAF	7	1.19	1812	324	140	51	YES	YES	YES
500	277	120	175	6x8x16.5S	10MAF	7	1.19	1877	340	147	54	YES	YES	YES
500	289	125	175	6x8x16.5S	10MAF	7	1.19	1954	360	156	58	YES	YES	YES
500	300	130	175	6x8x16.5S	10MAF	7	1.19	2018	377	163	60	YES	YES	YES
500	312	135	175	6x8x16.5S	10MAF	8	1.19	2096	381	165	60	YES	YES	YES
500	323	140	175	6x8x16.5S	10MAF	8	1.19	2167	399	173	64	YES	YES	YES
500	335	145	175	6x8x16.5S	10MAF	8	1.19	2243	420	182	67	YES	YES	YES
500	347	150	175	6x8x16.5S	10MAF	9	1.19	2364	420	182	66	YES	YES	YES
500	347	150	320	6x8x16.5SHP	10MAF	9	1.19	2364	420	182	66	YES	YES	YES
500	358	155	175	6x8x16.5S	10MAF	9	1.19	2440	440	190	71	YES	YES	YES
500	358	155	320	6x8x16.5SHP	10MAF	9	1.19	2440	440	190	71	YES	YES	YES
500	370	160	320	6x8x16.5SHP	10MAF	9	1.19	2511	459	199	73	YES	YES	YES
500	381	165	320	6x8x16.5SHP	10MAF	10	1.19	2589	463	200	73	YES	YES	YES
500	393	170	320	6x8x16.5SHP	10MAF	10	1.19	2659	481	208	86	YES	YES	YES
500	404	175	320	6x8x16.5SHP	10MAF	10	1.19	2729	500	216	79	YES	YES	YES
500	416	180	320	6x8x16.5SHP	10MAF	10	1.19	2812	521	226	83	YES	YES	YES
500	427	185	320	6x8x16.5SHP	10MAF	10	1.19	2876	538	233	86	YES	YES	YES
500	439	190	320	6x8x16.5SHP	10MAF	11	1.19	2954	542	235	86	YES	YES	YES
500	439	190	350	6x8x16.5SHP	10MAF	11	1.19	2954	542	235	86	YES	YES	N.A.
500	439	190	320	6x8x16.5SHP	10MAF	11	1.19	2954	542	235	86	YES	YES	YES
500	450	195	320	6x8x16.5SHP	10MAF	11	1.19	3019	559	242	89	YES	YES	YES
500	450	195	320	6x8x16.5SHP	10MAF	11	1.19	3019	559	242	89	YES	YES	YES
500	450	195	350	6x8x16.5SHP	10MAF	11	1.19	3019	559	242	89	YES	YES	N.A.
500	462	200	320	6x8x16.5SHP	10MAF	11	1.19	3090	577	250	92	YES	YES	YES
500	462	200	350	6x8x16.5SHP	10MAF	11	1.19	3090	577	250	92	YES	YES	N.A.
500	462	200	320	6x8x16.5SHP	10MAF	11	1.19	3090	577	250	92	YES	YES	YES
500	474	205	350	6x8x16.5SHP	10MAF	12	1.19	3173	583	252	92	YES	YES	N.A.
500	474	205	320	6x8x16.5SHP	10MAF	12	1.19	3173	583	252	92	YES	YES	YES
500	474	205	320	6x8x16.5SHP	10MAF	12	1.19	3173	583	252	92	YES	YES	YES
500	474	205	320	6x8x16.5SHP	10MAF	12	1.19	3173	583	252	92	YES	YES	YES
500	485	210	350	6x8x16.5SHP	10MAF	12	1.19	3244	601	260	96	YES	YES	N.A.
500	485	210	320	6x8x16.5SHP	10MAF	12	1.19	3244	601	260	96	YES	YES	YES
500	497	215	320	6x8x16.5SHP	10MAF	12	1.19	3320	621	269	98	YES	YES	YES
500	497	215	350	6x8x16.5SHP	10MAF	12	1.19	3320	621	269	98	YES	YES	N.A.
500	508	220	320	6x8x16.5SHP	10MAF	12	1.19	3384	638	276	102	YES	YES	YES
500	508	220	350	6x8x16.5SHP	10MAF	12	1.19	3384	638	276	102	YES	YES	N.A.
500	520	225	320	6x8x16.5SHP	10MAF	13	1.50	3465	660	286	105	YES	YES	YES
500	520	225	350	6x8x16.5SHP	10MAF	13	1.50	3465	660	286	105	YES	YES	N.A.
500	531	230	320	6x8x16.5SHP	10MAF	13	1.50	3573	642	278	101	YES	YES	YES
500	531	230	350	6x8x16.5SHP	10MAF	13	1.50	3573	642	278	101	YES	YES	N.A.
500	543	235	320	6x8x16.5SHP	10MAF	13	1.50	3721	680	294	109	YES	YES	YES
500	543	235	350	6x8x16.5SHP	10MAF	13	1.50	3721	680	294	109	YES	YES	N.A.
500	554	240	320	6x8x16.5SHP	10MAF	13	1.50	3786	697	302	111	YES	YES	YES
500	554	240	350	6x8x16.5SHP	10MAF	13	1.50	3786	697	302	111	YES	YES	N.A.
500	566	245	320	6x8x16.5SHP	10MAF	14	1.50	3864	701	303	111	YES	YES	YES



**VERTICAL TURBINE FIRE PUMPS  
DIESEL ENGINE DRIVEN  
1760 PUMP RPM**

**Diesel Engine Drive**

US GPM	BOWL HEAD FEET (MEASURED AT TOP BOWL OUTLET NOT DISCHARGE FLG)	BOWL HEAD PSI (MEASURED AT TOP BOWL OUTLET NOT DISCHARGE FLG)	DISCHARGE HEAD MAXIMUM WORKING PRESSURE	DISCHARGE HEAD SIZE	PUMP MODEL	NO. OF PUMP STGS.	COLUMN SHAFT SIZE	PUMP DOWN THRUST LB.	SHUT OFF HEAD FEET	SHUT OFF HEAD PSI	MAX PUMP GEAR BHP	UL LISTED FOR ENGINE DRIVE	ULC LISTED FOR ENGINE DRIVE	FM APPROVED FOR ENGINE DRIVE
500	566	245	350	6x8x16.5SHP	10MAF	14	1.50	3864	701	303	111	YES	YES	N.A.
500	578	250	350	6x8x16.5SHP	10MAF	14	1.50	3934	719	311	114	YES	YES	N.A.
500	578	250	320	6x8x16.5SHP	10MAF	14	1.50	3934	719	311	114	YES	YES	YES
500	589	255	350	6x8x16.5SHP	10MAF	14	1.50	3993	734	318	117	YES	YES	N.A.
500	589	255	320	6x8x16.5SHP	10MAF	14	1.50	3993	734	318	117	YES	YES	YES
500	601	260	320	6x8x16.5SHP	10MAF	14	1.50	4069	755	327	121	YES	YES	YES
500	601	260	350	6x8x16.5SHP	10MAF	14	1.50	4069	755	327	121	YES	YES	N.A.
500	612	265	350	6x8x16.5SHP	10MAF	15	1.50	4141	757	328	120	YES	YES	N.A.
500	612	265	320	6x8x16.5SHP	10MAF	15	1.50	4141	757	328	120	YES	YES	YES
500	624	270	350	6x8x16.5SHP	10MAF	15	1.50	4283	777	336	124	YES	YES	N.A.
500	624	270	350	6x8x16.5SHP	10MAF	15	1.50	4283	777	336	124	YES	YES	N.A.
500	635	275	350	6x8x16.5SHP	10MAF	15	1.50	4283	793	343	127	YES	YES	N.A.
500	635	275	350	6x8x16.5SHP	10MAF	15	1.50	4283	793	343	127	YES	YES	N.A.
500	647	280	350	6x8x16.5SHP	10MAF	15	1.50	4344	810	351	129	YES	YES	N.A.
500	647	280	350	6x8x16.5SHP	10MAF	15	1.50	4344	810	351	129	YES	YES	N.A.
500	658	285	350	6x8x16.5SHP	10MAF	15	1.50	4392	802	347	130	YES	YES	N.A.
500	658	285	350	6x8x16.5SHP	10MAF	15	1.50	4392	802	347	130	YES	YES	N.A.
500	670	290	350	6x8x16.5SHP	10MAF	15	1.50	4423	810	351	132	YES	YES	N.A.
500	670	290	350	6x8x16.5SHP	10MAF	15	1.50	4423	810	351	132	YES	YES	N.A.
500	681	295	350	6x8x16.5SHP	10MAF	16	1.50	4860	830	359	137	YES	YES	N.A.
500	693	300	350	6x8x16.5SHP	10MAF	16	1.50	4589	857	371	137	YES	N.A.	N.A.
500	704	305	350	6x8x16.5SHP	10MAF	16	1.50	4654	853	369	146	YES	N.A.	N.A.
500	711	308	350	6x8x16.5SHP	10MAF	16	1.50	4671	857	371	139	YES	N.A.	N.A.
750	92	40	175	6x8x16.5S	12MBF	2	1.50	1378	120	52	27	YES	YES	YES
750	104	45	175	6x8x16.5S	12MBF	2	1.50	1503	132	57	31	YES	YES	YES
750	116	50	175	6x8x16.5S	12MBF	2	1.50	1629	144	62	36	YES	YES	YES
750	127	55	175	6x8x16.5S	12MBF	3	1.50	1765	167	72	37	YES	YES	YES
750	139	60	175	6x8x16.5S	12MBF	3	1.50	1890	179	77	41	YES	YES	YES
750	150	65	175	6x8x16.5S	12MBF	3	1.50	2014	190	82	45	YES	YES	YES
750	162	70	175	6x8x16.5S	12MBF	3	1.50	2141	202	87	50	YES	YES	YES
750	173	75	175	6x8x16.5S	12MBF	3	1.50	2256	212	92	53	YES	YES	YES
750	185	80	175	6x8x16.5S	12MBF	3	1.50	2382	220	95	58	YES	YES	YES
750	196	85	175	6x8x16.5S	12MBF	4	1.50	2528	249	108	58	YES	YES	YES
750	208	90	175	6x8x16.5S	12MBF	4	1.50	2654	260	113	62	YES	YES	YES
750	219	95	175	6x8x16.5S	12MBF	4	1.50	2769	271	117	67	YES	YES	YES
750	231	100	175	6x8x16.5S	12MBF	4	1.50	2915	284	123	70	YES	YES	YES
750	240	104	175	6x8x16.5S	12MBF	4	1.50	2604	277	120	70	YES	YES	YES
750	250	108	175	6x8x16.5S	12MBF	4	1.50	2709	287	124	74	YES	YES	YES
750	260	113	175	6x8x16.5S	12MBF	5	1.50	2835	313	135	72	YES	YES	YES
750	270	117	175	6x8x16.5S	12MBF	5	1.50	2940	318	138	74	YES	YES	YES
750	280	121	175	6x8x16.5S	12MBF	5	1.50	3045	329	142	80	YES	YES	YES
750	290	126	175	6x8x16.5S	12MBF	5	1.50	3150	335	145	82	YES	YES	YES
750	300	130	175	6x8x16.5S	12MBF	5	1.50	3255	347	150	87	YES	YES	YES
750	310	134	175	6x8x16.5S	12MBF	5	1.50	3360	359	155	94	YES	YES	YES
750	320	139	175	6x8x16.5S	12MBF	5	1.50	3460	370	160	98	YES	YES	YES
750	330	143	175	6x8x16.5S	12MBF	6	1.50	3591	392	170	96	YES	YES	YES
750	340	147	175	6x8x16.5S	12MBF	6	1.50	3696	399	173	98	YES	YES	YES
750	350	152	175	6x8x16.5S	12MBF	6	1.50	3801	410	177	102	YES	YES	YES
750	360	156	175	6x8x16.5S	12MBF	6	1.50	3906	421	182	107	YES	YES	YES
750	370	160	175	6x8x16.5S	12MBF	6	1.50	4011	430	186	111	YES	YES	YES
750	380	165	175	6x8x16.5S	12MBF	6	1.50	4116	439	190	115	YES	YES	YES
750	360	156	320	6x8x16.5SHP	12MBF	6	1.50	3906	421	182	107	YES	YES	YES
750	370	160	320	6x8x16.5SHP	12MBF	6	1.50	4011	430	186	111	YES	YES	YES
750	380	165	320	6x8x16.5SHP	12MBF	6	1.50	4116	439	190	115	YES	YES	YES
750	390	169	320	6x8x16.5SHP	12MBF	7	1.50	4242	463	200	113	YES	YES	YES
750	400	173	320	6x8x16.5SHP	12MBF	7	1.50	4347	470	203	116	YES	YES	YES
750	410	177	320	6x8x16.5SHP	12MBF	7	1.50	4452	480	208	120	YES	YES	YES



**VERTICAL TURBINE FIRE PUMPS  
DIESEL ENGINE DRIVEN  
1760 PUMP RPM**

**Diesel Engine Drive**

US GPM	BOWL HEAD FEET (MEASURED AT TOP BOWL OUTLET NOT DISCHARGE FLG)	BOWL HEAD PSI (MEASURED AT TOP BOWL OUTLET NOT DISCHARGE FLG)	DISCHARGE HEAD MAXIMUM WORKING PRESSURE	DISCHARGE HEAD SIZE	PUMP MODEL	NO. OF PUMP STGS.	COLUMN SHAFT SIZE	PUMP DOWN THRUST LB.	SHUT OFF HEAD FEET	SHUT OFF HEAD PSI	MAX PUMP GEAR BHP	UL LISTED FOR ENGINE DRIVE	ULC LISTED FOR ENGINE DRIVE	FM APPROVED FOR ENGINE DRIVE
750	420	182	320	6x8x16.5SHP	12MBF	7	1.50	4557	490	212	123	YES	YES	YES
750	430	186	320	6x8x16.5SHP	12MBF	7	1.50	4662	500	216	129	YES	YES	YES
750	440	190	320	6x8x16.5SHP	12MBF	7	1.50	4767	510	221	134	YES	YES	YES
750	450	195	320	6x8x16.5SHP	12MBF	7	1.50	4872	520	225	138	YES	YES	YES
750	460	199	320	6x8x16.5SHP	12MBF	8	1.50	4998	541	234	134	YES	YES	YES
750	470	203	320	6x8x16.5SHP	12MBF	8	1.50	5103	551	239	139	YES	YES	YES
750	480	208	320	6x8x16.5SHP	12MBF	8	1.50	5208	561	243	142	YES	YES	YES
750	490	212	320	6x8x16.5SHP	12MBF	8	1.50	5313	569	246	148	YES	YES	YES
750	500	216	320	6x8x16.5SHP	12MBF	8	1.50	5418	583	252	153	YES	YES	YES
750	500	216	350	6x8x16.5SHP	12MBF	8	1.50	5418	583	252	153	YES	YES	N.A.
750	510	221	320	6x8x16.5SHP	12MBF	9	1.50	5544	602	261	149	YES	YES	YES
750	510	221	350	6x8x16.5SHP	12MBF	9	1.50	5544	602	261	149	YES	YES	N.A.
750	520	225	320	6x8x16.5SHP	12MBF	9	1.50	5649	611	265	152	YES	YES	YES
750	520	225	350	6x8x16.5SHP	12MBF	9	1.50	5649	611	265	152	YES	YES	N.A.
750	530	229	320	6x8x16.5SHP	12MBF	9	1.50	5754	621	269	157	YES	YES	YES
750	530	229	350	6x8x16.5SHP	12MBF	9	1.50	5754	621	269	157	YES	YES	N.A.
750	540	234	350	6x8x16.5SHP	12MBF	9	1.50	5859	632	274	162	YES	YES	N.A.
750	540	234	320	6x8x16.5SHP	12MBF	9	1.50	5859	632	274	162	YES	YES	YES
750	550	238	320	6x8x16.5SHP	12MBF	9	1.50	5964	641	277	165	YES	YES	YES
750	550	238	350	6x8x16.5SHP	12MBF	9	1.50	5964	641	277	165	YES	YES	N.A.
750	560	242	350	6x8x16.5SHP	12MBF	9	1.50	6069	650	281	168	YES	YES	N.A.
750	560	242	320	6x8x16.5SHP	12MBF	9	1.50	6069	650	281	168	YES	YES	YES
750	570	247	350	6x8x16.5SHP	12MBF	9	1.50	6174	661	286	173	YES	YES	N.A.
750	570	247	320	6x8x16.5SHP	12MBF	9	1.50	6174	661	286	173	YES	YES	YES
750	580	251	320	6x8x16.5SHP	12MBF	9	1.50	6279	670	290	178	YES	YES	YES
750	580	251	350	6x8x16.5SHP	12MBF	9	1.50	6279	670	290	178	YES	YES	N.A.
750	590	255	350	6x8x16.5SHP	12MBF	10	1.50	6405	689	298	173	YES	YES	N.A.
750	590	255	320	6x8x16.5SHP	12MBF	10	1.50	6405	689	298	173	YES	YES	YES
750	600	260	350	6x8x16.5SHP	12MBF	10	1.50	6510	702	304	180	YES	YES	N.A.
750	600	260	320	6x8x16.5SHP	12MBF	10	1.50	6510	702	304	180	YES	YES	YES
750	610	264	320	6x8x16.5SHP	12MBF	10	1.50	6615	709	307	181	YES	YES	YES
750	610	264	350	6x8x16.5SHP	12MBF	10	1.50	6615	709	307	181	YES	YES	N.A.
750	620	268	350	6x8x16.5SHP	12MBF	10	1.50	6720	719	311	185	YES	YES	N.A.
750	620	268	320	6x8x16.5SHP	12MBF	10	1.50	6720	719	311	185	YES	YES	YES
750	630	273	320	6x8x16.5SHP	12MBF	10	1.50	6825	730	316	190	YES	YES	YES
750	630	273	350	6x8x16.5SHP	12MBF	10	1.50	6825	730	316	190	YES	YES	N.A.
750	640	277	350	6x8x16.5SHP	12MBF	10	1.50	6930	740	320	195	YES	YES	N.A.
750	640	277	320	6x8x16.5SHP	12MBF	10	1.50	6930	740	320	195	YES	YES	YES
750	647	280	320	6x8x16.5SHP	12MBF	10	1.50	7004	748	324	197	YES	YES	YES
750	647	280	350	6x8x16.5SHP	12MBF	10	1.50	7004	748	324	197	YES	YES	N.A.
750	660	286	350	6x8x16.5SHP	12LDF	8	1.50	5608	752	326	194	YES	YES	N.A.
750	670	290	350	6x8x16.5SHP	12LDF	8	1.50	5686	764	331	199	YES	YES	N.A.
750	680	294	350	6x8x16.5SHP	12LDF	8	1.50	5764	775	335	205	YES	YES	N.A.
750	690	299	350	6x8x16.5SHP	12LDF	8	1.50	5842	786	340	211	YES	YES	N.A.
750	700	303	350	6x8x16.5SHP	12LDF	9	1.50	5940	798	345	208	YES	YES	N.A.
750	710	307	350	6x8x16.5SHP	12LDF	9	1.50	6018	809	350	211	YES	YES	N.A.
750	720	312	350	6x8x16.5SHP	12LDF	9	1.50	6096	820	355	212	YES	YES	N.A.
750	730	316	350	6x8x16.5SHP	12LDF	9	1.50	6174	832	360	215	YES	YES	N.A.
750	740	320	350	6x8x16.5SHP	12LDF	9	1.50	6252	844	365	218	YES	YES	N.A.
750	750	325	350	6x8x16.5SHP	12LDF	9	1.50	6330	855	370	223	YES	YES	N.A.
750	760	329	350	6x8x16.5SHP	12LDF	9	1.50	6408	866	375	228	YES	YES	N.A.
750	770	333	350	6x8x16.5SHP	12LDF	9	1.50	6486	878	380	232	YES	YES	N.A.
750	780	338	350	6x8x16.5SHP	12LDF	9	1.50	6564	889	385	237	YES	YES	N.A.
750	790	342	350	6x8x16.5SHP	12LDF	10	1.50	6662	900	390	234	YES	YES	N.A.
750	800	346	350	6x8x16.5SHP	12LDF	10	1.50	6740	912	395	237	YES	YES	N.A.
750	660	286	510	8x8x16.5FA	12LDF	8	1.50	5608	752	326	194	YES	YES	YES
750	670	290	510	8x8x16.5FA	12LDF	8	1.50	5686	764	331	199	YES	YES	YES



**VERTICAL TURBINE FIRE PUMPS  
DIESEL ENGINE DRIVEN  
1760 PUMP RPM**

**Diesel Engine Drive**

US GPM	BOWL HEAD FEET (MEASURED AT TOP BOWL OUTLET NOT DISCHARGE FLG)	BOWL HEAD PSI (MEASURED AT TOP BOWL OUTLET NOT DISCHARGE FLG)	DISCHARGE HEAD MAXIMUM WORKING PRESSURE	DISCHARGE HEAD SIZE	PUMP MODEL	NO. OF PUMP STGS.	COLUMN SHAFT SIZE	PUMP DOWN THRUST LB.	SHUT OFF HEAD FEET	SHUT OFF HEAD PSI	MAX PUMP GEAR BHP	UL LISTED FOR ENGINE DRIVE	ULC LISTED FOR ENGINE DRIVE	FM APPROVED FOR ENGINE DRIVE
750	680	294	510	8x8x16.5FA	12LDF	8	1.50	5764	775	335	205	YES	YES	YES
750	690	299	510	8x8x16.5FA	12LDF	8	1.50	5842	786	340	211	YES	YES	YES
750	700	303	510	8x8x16.5FA	12LDF	9	1.50	5940	798	345	208	YES	YES	YES
750	710	307	510	8x8x16.5FA	12LDF	9	1.50	6018	809	350	211	YES	YES	YES
750	720	312	510	8x8x16.5FA	12LDF	9	1.50	6096	820	355	212	YES	YES	YES
750	730	316	510	8x8x16.5FA	12LDF	9	1.50	6174	832	360	215	YES	YES	YES
750	740	320	510	8x8x16.5FA	12LDF	9	1.50	6252	844	365	218	YES	YES	YES
750	750	325	510	8x8x16.5FA	12LDF	9	1.50	6330	855	370	223	YES	YES	YES
750	760	329	510	8x8x16.5FA	12LDF	9	1.50	6408	866	375	228	YES	YES	YES
750	770	333	510	8x8x16.5FA	12LDF	9	1.50	6486	878	380	232	YES	YES	YES
750	780	338	510	8x8x16.5FA	12LDF	9	1.50	6564	889	385	237	YES	YES	YES
750	790	342	510	8x8x16.5FA	12LDF	10	1.50	6662	900	390	234	YES	YES	YES
750	800	346	510	8x8x16.5FA	12LDF	10	1.50	6740	912	395	237	YES	YES	YES
750	810	351	510	8x8x16.5FA	12LDF	10	1.50	6818	923	400	240	YES	YES	YES
750	820	355	510	8x8x16.5FA	12LDF	10	1.50	6896	935	405	243	YES	YES	YES
750	830	359	510	8x8x16.5FA	12LDF	10	1.50	6974	946	410	247	YES	YES	YES
750	840	364	510	8x8x16.5FA	12LDF	10	1.50	7052	957	414	251	YES	YES	YES
750	850	368	510	8x8x16.5FA	12LDF	10	1.50	7130	969	419	256	YES	YES	YES
750	860	372	510	8x8x16.5FA	12LDF	10	1.50	7208	980	424	261	YES	YES	YES
750	870	377	510	8x8x16.5FA	12LDF	10	1.50	7286	992	429	265	YES	YES	YES
750	880	381	510	8x8x16.5FA	12LDF	11	1.69	7464	1003	434	262	YES	YES	YES
750	890	385	510	8x8x16.5FA	12LDF	11	1.69	7542	1015	439	265	YES	YES	YES
750	900	390	510	8x8x16.5FA	12LDF	11	1.69	7620	1026	444	267	YES	YES	YES
750	910	394	510	8x8x16.5FA	12LDF	11	1.69	7698	1037	449	269	YES	YES	YES
750	920	398	510	8x8x16.5FA	12LDF	11	1.69	7776	1049	454	274	YES	YES	YES
750	930	403	510	8x8x16.5FA	12LDF	11	1.69	7854	1060	459	279	YES	YES	YES
750	940	407	510	8x8x16.5FA	12LDF	11	1.69	7932	1072	464	284	YES	YES	YES
750	950	411	510	8x8x16.5FA	12LDF	11	1.69	8010	1083	469	288	YES	YES	YES
750	960	416	510	8x8x16.5FA	12LDF	11	1.69	8088	1094	474	292	YES	YES	YES
750	970	420	510	8x8x16.5FA	12LDF	12	1.69	8186	1106	479	289	YES	YES	YES
750	980	424	510	8x8x16.5FA	12LDF	12	1.69	8264	1117	484	291	YES	YES	YES
750	990	429	510	8x8x16.5FA	12LDF	12	1.69	8342	1126	487	295	YES	YES	YES
750	1000	433	510	8x8x16.5FA	12LDF	12	1.69	8420	1134	491	298	YES	YES	YES
750	1010	437	510	8x8x16.5FA	12LDF	12	1.69	8498	1151	498	302	YES	YES	YES
750	1020	442	510	8x8x16.5FA	12LDF	12	1.69	8576	1163	503	307	YES	YES	YES
750	1030	446	510	8x8x16.5FA	12LDF	12	1.69	8654	1172	507	311	YES	YES	YES
750	1040	450	510	8x8x16.5FA	12LDF	12	1.69	8732	1186	513	316	YES	YES	YES
750	1050	455	600	8x8x16.5FA	12LDF	13	1.69	8830	1197	518	314	YES	YES	N.A.
750	1060	459	600	8x8x16.5FA	12LDF	13	1.69	8908	1208	523	317	YES	YES	N.A.
750	1070	463	600	8x8x16.5FA	12LDF	13	1.69	8986	1220	528	319	YES	YES	N.A.
750	1080	468	600	8x8x16.5FA	12LDF	13	1.69	9064	1231	533	322	YES	YES	N.A.
750	1090	472	600	8x8x16.5FA	12LDF	13	1.69	9142	1243	538	325	YES	YES	N.A.
750	1100	476	600	8x8x16.5FA	12LDF	13	1.69	9220	1254	543	330	YES	YES	N.A.
750	1110	481	600	8x8x16.5FA	12LDF	13	1.69	9298	1265	548	335	YES	YES	N.A.
750	1120	485	600	8x8x16.5FA	12LDF	13	1.69	9376	1277	553	340	YES	YES	N.A.
750	1130	489	600	8x8x16.5FA	12LDF	13	1.69	9454	1288	558	344	YES	YES	N.A.
750	1140	494	600	8x8x16.5FA	12LDF	13	1.69	9552	1300	563	341	YES	YES	N.A.
750	1150	498	600	8x8x16.5FA	12LDF	14	1.69	9630	1311	568	344	YES	YES	N.A.
750	1160	502	600	8x8x16.5FA	12LDF	14	1.69	9703	1322	572	346	YES	YES	N.A.
750	1170	506	600	8x8x16.5FA	12LDF	14	1.69	9786	1334	577	349	YES	YES	N.A.
750	1176	509	600	8x8x16.5FA	12LDF	14	1.69	9864	1340	580	352	YES	YES	N.A.
1000	118	51	175	6x8x16.5S	12MBF	2	1.50	1278	150	65	47	YES	YES	YES
1000	127	55	175	6x8x16.5S	12MBF	2	1.50	1348	157	68	51	YES	YES	YES
1000	139	60	175	6x8x16.5S	12MBF	3	1.50	1451	194	84	55	YES	YES	YES
1000	150	65	175	6x8x16.5S	12MBF	3	1.50	1537	201	87	57	YES	YES	YES
1000	162	70	175	6x8x16.5S	12MBF	3	1.50	1631	215	93	62	YES	YES	YES
1000	173	75	175	6x8x16.5S	12MBF	3	1.50	1716	219	95	64	YES	YES	YES



**VERTICAL TURBINE FIRE PUMPS  
DIESEL ENGINE DRIVEN  
1760 PUMP RPM**

**Diesel Engine Drive**

US GPM	BOWL HEAD FEET (MEASURED AT TOP BOWL OUTLET NOT DISCHARGE FLG)	BOWL HEAD PSI (MEASURED AT TOP BOWL OUTLET NOT DISCHARGE FLG)	DISCHARGE HEAD MAXIMUM WORKING PRESSURE	DISCHARGE HEAD SIZE	PUMP MODEL	NO. OF PUMP STGS.	COLUMN SHAFT SIZE	PUMP DOWN THRUST LB.	SHUT OFF HEAD FEET	SHUT OFF HEAD PSI	MAX PUMP GEAR BHP	UL LISTED FOR ENGINE DRIVE	ULC LISTED FOR ENGINE DRIVE	FM APPROVED FOR ENGINE DRIVE
1000	185	80	175	6x8x16.5S	12MBF	3	1.50	1810	231	100	70	YES	YES	YES
1000	196	85	175	6x8x16.5S	12MBF	4	1.50	1906	259	112	71	YES	YES	YES
1000	208	90	175	6x8x16.5S	12MBF	4	1.50	1998	270	117	74	YES	YES	YES
1000	219	95	175	6x8x16.5S	12MBF	4	1.50	2084	284	123	80	YES	YES	YES
1000	231	100	175	6x8x16.5S	12MBF	4	1.50	2178	291	126	84	YES	YES	YES
1000	240	104	175	6x8x16.5S	12MBF	4	1.50	2100	298	129	86	YES	YES	YES
1000	250	108	175	6x8x16.5S	12MBF	4	1.50	2184	314	136	92	YES	YES	YES
1000	260	113	175	6x8x16.5S	12MBF	4	1.50	2268	316	137	99	YES	YES	YES
1000	270	117	175	6x8x16.5S	12MBF	4	1.50	2352	318	138	105	YES	YES	YES
1000	280	121	175	6x8x16.5S	12MBF	5	1.50	2457	355	154	99	YES	YES	YES
1000	290	126	175	6x8x16.5S	12MBF	5	1.50	2541	364	158	103	YES	YES	YES
1000	300	130	175	6x8x16.5S	12MBF	5	1.50	2625	373	161	108	YES	YES	YES
1000	310	134	175	6x8x16.5S	12MBF	5	1.50	2709	383	166	112	YES	YES	YES
1000	320	139	175	6x8x16.5S	12MBF	5	1.50	2793	392	170	116	YES	YES	YES
1000	330	143	175	6x8x16.5S	12MBF	5	1.50	2877	394	171	123	YES	YES	YES
1000	340	147	175	6x8x16.5S	12MBF	5	1.50	2961	397	172	131	YES	YES	YES
1000	350	152	175	6x8x16.5S	12MBF	6	1.50	3066	436	189	134	YES	YES	YES
1000	360	156	175	6x8x16.5S	12MBF	6	1.50	3150	442	191	136	YES	YES	YES
1000	350	152	320	6x8x16.5SHP	12MBF	6	1.50	3066	436	189	134	YES	YES	YES
1000	360	156	320	6x8x16.5SHP	12MBF	6	1.50	3150	442	191	136	YES	YES	YES
1000	370	160	320	6x8x16.5SHP	12MBF	6	1.50	3234	453	196	140	YES	YES	YES
1000	380	165	320	6x8x16.5SHP	12MBF	6	1.50	3318	463	200	145	YES	YES	YES
1000	390	169	320	6x8x16.5SHP	12MBF	6	1.50	3402	469	203	152	YES	YES	YES
1000	400	173	320	6x8x16.5SHP	12MBF	7	1.50	3507	498	216	151	YES	YES	YES
1000	410	177	320	6x8x16.5SHP	12MBF	7	1.50	3591	507	219	155	YES	YES	YES
1000	420	182	320	6x8x16.5SHP	12MBF	7	1.50	3675	516	223	160	YES	YES	YES
1000	430	186	320	6x8x16.5SHP	12MBF	7	1.50	3759	527	228	166	YES	YES	YES
1000	440	190	320	6x8x16.5SHP	12MBF	7	1.50	3843	538	233	170	YES	YES	YES
1000	450	195	320	6x8x16.5SHP	12MBF	7	1.50	3927	543	235	173	YES	YES	YES
1000	460	199	320	6x8x16.5SHP	12MBF	7	1.50	4011	553	239	183	YES	YES	YES
1000	470	203	320	6x8x16.5SHP	12MBF	8	1.50	4095	582	252	178	YES	YES	YES
1000	480	208	320	6x8x16.5SHP	12MBF	8	1.50	4200	596	258	185	YES	YES	YES
1000	490	212	320	6x8x16.5SHP	12MBF	8	1.50	4284	604	261	188	YES	YES	YES
1000	500	216	320	6x8x16.5SHP	12MBF	8	1.50	4368	611	265	191	YES	YES	YES
1000	510	221	320	6x8x16.5SHP	12MBF	8	1.50	4452	618	268	197	YES	YES	YES
1000	520	225	320	6x8x16.5SHP	12MBF	8	1.50	4536	629	272	204	YES	YES	YES
1000	530	229	320	6x8x16.5SHP	12MBF	8	1.50	4620	636	275	212	YES	YES	YES
1000	540	234	320	6x8x16.5SHP	12MBF	8	1.50	4704	639	277	219	YES	YES	YES
1000	550	238	320	6x8x16.5SHP	12MBF	9	1.50	4809	676	293	212	YES	YES	YES
1000	560	242	320	6x8x16.5SHP	12MBF	9	1.50	4893	684	296	214	YES	YES	YES
1000	570	247	320	6x8x16.5SHP	12MBF	9	1.50	4977	691	299	217	YES	YES	YES
1000	580	251	320	6x8x16.5SHP	12MBF	9	1.50	5061	698	302	226	YES	YES	YES
1000	590	255	320	6x8x16.5SHP	12MBF	9	1.50	5145	709	307	236	YES	YES	YES
1000	600	260	320	6x8x16.5SHP	12MBF	9	1.50	5229	714	309	243	YES	YES	YES
1000	610	264	320	6x8x16.5SHP	12MBF	9	1.50	5313	719	311	250	YES	YES	YES
1000	612	265	320	6x8x16.5SHP	12MBF	10	1.50	5444	751	325	268	YES	N.A.	YES
1000	612	265	324	8x8x16.5SHP	12MBF	10	1.50	5444	751	325	268	YES	N.A.	YES
1000	624	270	320	6x8x16.5SHP	12MBF	10	1.50	5416	761	329	240	YES	N.A.	YES
1000	624	270	324	8x8x16.5SHP	12MBF	10	1.50	5416	761	329	240	YES	N.A.	YES
1000	624	270	510	8x8x16.5FA	12MBF	10	1.50	5416	761	329	240	YES	N.A.	YES
1000	635	275	320	6x8x16.5SHP	12MBF	10	1.50	5623	769	333	244	YES	N.A.	YES
1000	635	275	324	8x8x16.5SHP	12MBF	10	1.50	5623	769	333	244	YES	N.A.	YES
1000	635	275	510	8x8x16.5FA	12MBF	10	1.50	5623	769	333	244	YES	N.A.	YES
1000	635	275	324	8x8x16.5SHP	12MBF	10	1.50	5623	769	333	244	YES	N.A.	YES
1000	647	280	324	8x8x16.5SHP	12MBF	10	1.50	5595	780	338	252	YES	N.A.	YES
1000	647	280	510	8x8x16.5FA	12MBF	10	1.50	5595	780	338	252	YES	N.A.	YES
1000	658	285	324	8x8x16.5SHP	12MBF	10	1.50	5679	778	337	256	YES	N.A.	YES



**VERTICAL TURBINE FIRE PUMPS  
DIESEL ENGINE DRIVEN  
1760 PUMP RPM**

***Diesel Engine Drive***

US GPM	BOWL HEAD FEET (MEASURED AT TOP BOWL OUTLET NOT DISCHARGE FLG)	BOWL HEAD PSI (MEASURED AT TOP BOWL OUTLET NOT DISCHARGE FLG)	DISCHARGE HEAD MAXIMUM WORKING PRESSURE	DISCHARGE HEAD SIZE	PUMP MODEL	NO. OF PUMP STGS.	COLUMN SHAFT SIZE	PUMP DOWN THRUST LB.	SHUT OFF HEAD FEET	SHUT OFF HEAD PSI	MAX PUMP GEAR BHP	UL LISTED FOR ENGINE DRIVE	ULC LISTED FOR ENGINE DRIVE	FM APPROVED FOR ENGINE DRIVE
1000	658	285	510	8x8x16.5FA	12MBF	10	1.50	5679	778	337	256	YES	N.A.	YES
1000	670	290	510	8x8x16.5FA	12MBF	10	1.50	5893	789	342	263	YES	N.A.	YES
1000	797	345	510	6x8x16.5FA	12MBF	12	1.69	6909	938	406	310	YES	N.A.	YES
1000	808	350	510	6x8x16.5FA	12MBF	12	1.69	6994	947	410	317	YES	N.A.	YES
1000	820	355	510	6x8x16.5FA	12MBF	13	1.69	7101	994	430	356	YES	N.A.	YES
1000	832	360	510	6x8x16.5FA	12MBF	13	1.69	7192	990	429	363	YES	N.A.	YES
1000	843	365	510	6x8x16.5FA	12MBF	13	1.69	7285	1001	433	325	YES	N.A.	YES
1000	850	368	510	6x8x16.5FA	12MBF	13	1.69	7343	1021	442	334	YES	N.A.	YES
1250	255	110	175	10x10x16.5/20S	14MCF	3	1.50	2231	296	128	138	YES	NO	NO
1250	265	115	175	10x10x16.5/20S	14MCF	3	1.50	2313	310	134	148	YES	NO	NO
1250	275	119	175	10x10x16.5/20S	14MCF	3	1.50	2395	315	136	154	YES	NO	NO
1250	285	123	175	10x10x16.5/20S	14MCF	3	1.50	2510	330	143	161	YES	NO	NO
1250	295	128	175	10x10x16.5/20S	14MCF	3	1.50	2592	336	145	166	YES	NO	NO
1250	295	128	175	10x10x16.5/20S	14MCF	4	1.50	2592	372	161	158	YES	NO	NO
1250	305	132	175	10x10x16.5/20S	14MCF	3	1.50	2674	342	148	171	YES	NO	NO
1250	305	132	175	10x10x16.5/20S	14MCF	4	1.50	2674	374	162	164	YES	NO	NO
1250	315	136	175	10x10x16.5/20S	14MCF	4	1.50	2756	386	167	170	YES	NO	NO
1250	325	141	175	10x10x16.5/20S	14MCF	4	1.50	2838	390	169	178	YES	NO	NO
1250	335	145	175	10x10x16.5/20S	14MCF	4	1.50	2920	402	174	184	YES	NO	NO
1250	345	149	175	10x10x16.5/20S	14MCF	4	1.50	3002	413	179	190	YES	NO	NO
1250	355	154	175	10x10x16.5/20S	14MCF	4	1.50	3084	418	181	196	YES	NO	NO
1250	365	158	175	10x10x16.5/20S	14MCF	4	1.50	3166	425	184	202	YES	NO	NO
1250	375	162	400	10x10x16.5/20SHP	14MCF	4	1.50	3248	439	190	208	YES	NO	NO
1250	385	167	400	10x10x16.5/20SHP	14MCF	4	1.50	3363	446	193	214	YES	NO	NO
1250	395	171	400	10x10x16.5/20SHP	14MCF	4	1.50	3445	453	196	220	YES	NO	NO
1250	395	171	400	10x10x16.5/20SHP	14MCF	5	1.94	3363	485	210	220	YES	NO	NO
1250	405	175	400	10x10x16.5/20SHP	14MCF	4	1.50	3500	457	198	229	YES	NO	NO
1250	405	175	400	10x10x16.5/20SHP	14MCF	5	1.94	3363	490	212	229	YES	NO	NO
1250	415	180	400	10x10x16.5/20SHP	14MCF	5	1.94	3609	492	213	234	YES	NO	NO
1250	425	184	400	10x10x16.5/20SHP	14MCF	5	1.94	3691	513	222	239	YES	NO	NO
1250	435	188	400	10x10x16.5/20SHP	14MCF	5	1.94	3773	520	225	244	YES	NO	NO
1250	445	193	400	10x10x16.5/20SHP	14MCF	5	1.94	3855	524	227	250	YES	NO	NO
1250	455	197	400	10x10x16.5/20SHP	14MCF	5	1.94	3955	531	230	255	YES	NO	NO
1250	465	201	400	10x10x16.5/20SHP	14MCF	5	1.94	3955	550	238	260	YES	NO	NO
1250	477	206	400	10x10x16.5/20SHP	14MCF	5	1.94	3955	557	241	266	YES	NO	NO
1250	485	210	400	10x10x16.5/20SHP	14MCF	6	1.94	4052	572	248	272	YES	NO	NO
1250	495	214	400	10x10x16.5/20SHP	14MCF	6	1.94	4134	587	254	279	YES	NO	NO
1250	505	219	400	10x10x16.5/20SHP	14MCF	6	1.94	4216	602	261	285	YES	NO	NO
1250	515	223	400	10x10x16.5/20SHP	14MCF	6	1.94	4298	617	267	291	YES	NO	NO
1250	525	227	400	10x10x16.5/20SHP	14MCF	6	1.94	4380	632	274	297	YES	NO	NO
1250	535	232	400	10x10x16.5/20SHP	14MCF	6	1.94	4462	647	280	304	YES	NO	NO
1250	545	236	400	10x10x16.5/20SHP	14MCF	6	1.94	4544	662	287	310	YES	NO	NO
1250	555	240	400	10x10x16.5/20SHP	14MCF	6	1.94	4626	677	293	316	YES	NO	NO
1250	565	245	400	10x10x16.5/20SHP	14MCF	7	1.94	4823	693	300	322	YES	NO	NO
1250	575	249	400	10x10x16.5/20SHP	14MCF	7	1.94	4905	707	306	329	YES	NO	NO
1250	585	253	400	10x10x16.5/20SHP	14MCF	7	1.94	4987	723	313	335	YES	NO	NO
1250	595	258	400	10x10x16.5/20SHP	14MCF	7	1.94	5069	737	319	341	YES	NO	NO
1250	605	262	400	10x10x16.5/20SHP	14MCF	7	1.94	5151	753	326	347	YES	NO	NO
1250	615	266	400	10x10x16.5/20SHP	14MCF	7	1.94	5233	767	332	354	YES	NO	NO
1250	625	271	400	10x10x16.5/20SHP	14MCF	7	1.94	5300	783	339	359	YES	NO	NO
1250	647	280	400	10x10x16.5/20SHP	14MCF	7	1.94	5400	797	345	366	YES	NO	NO
1500	240	104	175	10x10x16.5/20S	14MCF	3	1.50	1760	296	128	141	YES	YES	YES
1500	250	108	175	10x10x16.5/20S	14MCF	3	1.50	2149	310	134	150	YES	YES	YES
1500	260	113	175	10x10x16.5/20S	14MCF	3	1.50	2231	315	136	157	YES	YES	YES
1500	270	117	175	10x10x16.5/20S	14MCF	3	1.50	2313	330	143	164	YES	YES	YES
1500	280	121	175	10x10x16.5/20S	14MCF	3	1.50	2385	336	145	169	YES	YES	YES
1500	290	126	175	10x10x16.5/20S	14MCF	4	1.50	2510	375	162	167	YES	YES	YES



VERTICAL TURBINE FIRE PUMPS  
DIESEL ENGINE DRIVEN  
1760 PUMP RPM

**Diesel Engine Drive**

US GPM	BOWL HEAD FEET (MEASURED AT TOP BOWL OUTLET NOT DISCHARGE FLG)	BOWL HEAD PSI (MEASURED AT TOP BOWL OUTLET NOT DISCHARGE FLG)	DISCHARGE HEAD MAXIMUM WORKING PRESSURE	DISCHARGE HEAD SIZE	PUMP MODEL	NO. OF PUMP STGS.	COLUMN SHAFT SIZE	PUMP DOWN THRUST LB.	SHUT OFF HEAD FEET	SHUT OFF HEAD PSI	MAX PUMP GEAR BHP	UL LISTED FOR ENGINE DRIVE	ULC LISTED FOR ENGINE DRIVE	FM APPROVED FOR ENGINE DRIVE
1500	300	130	175	10x10x16.5/20S	14MCF	4	1.50	2592	385	167	173	YES	YES	YES
1500	310	134	175	10x10x16.5/20S	14MCF	4	1.50	2674	390	169	182	YES	YES	YES
1500	320	139	175	10x10x16.5/20S	14MCF	4	1.50	2756	403	174	188	YES	YES	YES
1500	330	143	175	10x10x16.5/20S	14MCF	4	1.50	2838	413	179	194	YES	YES	YES
1500	340	147	175	10x10x16.5/20S	14MCF	4	1.50	2920	418	181	199	YES	YES	YES
1500	340	147	175	10x10x16.5/20S	14MCF	4	1.50	2920	418	181	199	YES	YES	YES
1500	350	152	175	10x10x16.5/20S	14MCF	4	1.50	3002	425	184	205	YES	YES	YES
1500	350	152	175	10x10x16.5/20S	14MCF	4	1.50	3002	425	184	205	YES	YES	YES
1500	360	156	175	10x10x16.5/20S	14MCF	4	1.50	3064	440	190	212	YES	YES	YES
1500	360	156	175	10x10x16.5/20S	14MCF	4	1.50	3064	440	190	212	YES	YES	YES
1500	370	160	175	10x10x16.5/20S	14MCF	4	1.50	3166	445	193	218	YES	YES	YES
1500	370	160	175	10x10x16.5/20S	14MCF	4	1.50	3166	445	193	218	YES	YES	YES
1500	380	165	175	10x10x16.5/20S	14MCF	4	1.50	3248	453	196	224	YES	YES	YES
1500	390	169	175	10x10x16.5/20S	14MCF	5	1.94	3363	490	212	233	YES	YES	YES
1500	400	173	175	10x10x16.5/20S	14MCF	5	1.94	3445	493	213	239	YES	YES	YES
1500	410	177	400	10x10x16.5/20SHP	14MCF	5	1.94	3527	513	222	244	YES	YES	YES
1500	420	182	400	10x10x16.5/20SHP	14MCF	5	1.94	3609	519	225	249	YES	YES	YES
1500	430	186	400	10x10x16.5/20SHP	14MCF	5	1.94	3691	525	227	255	YES	YES	YES
1500	439	190	400	10x10x16.5/20SHP	14MCF	5	1.94	3773	532	230	260	YES	YES	YES
1500	440	190	400	10x10x16.5/20SHP	14MCF	5	1.94	3773	532	230	260	YES	YES	N.A.
1500	450	195	400	10x10x16.5/20SHP	14MCF	5	1.94	3855	550	238	265	YES	YES	N.A.
1500	462	200	400	10x10x16.5/20SHP	14MCF	5	1.94	3955	557	241	271	YES	YES	N.A.
1500	471	204	400	10x10x16.5/20SHP	14MCF	6	1.94	4052	572	248	277	YES	YES	N.A.
1500	480	208	400	10x10x16.5/20SHP	14MCF	6	1.94	4134	587	254	284	YES	YES	N.A.
1500	490	212	400	10x10x16.5/20SHP	14MCF	6	1.94	4216	602	261	291	YES	YES	N.A.
1500	500	216	400	10x10x16.5/20SHP	14MCF	6	1.94	4298	617	267	297	YES	YES	N.A.
1500	510	221	400	10x10x16.5/20SHP	14MCF	6	1.94	4380	632	274	303	YES	YES	N.A.
1500	520	225	400	10x10x16.5/20SHP	14MCF	6	1.94	4462	647	280	310	YES	YES	N.A.
1500	530	229	400	10x10x16.5/20SHP	14MCF	6	1.94	4544	662	287	316	YES	YES	N.A.
1500	540	234	400	10x10x16.5/20SHP	14MCF	6	1.94	4626	676	293	322	YES	YES	N.A.
1500	550	238	400	10x10x16.5/20SHP	14MCF	7	1.94	4741	692	300	328	YES	YES	N.A.
1500	560	242	400	10x10x16.5/20SHP	14MCF	7	1.94	4823	707	306	335	YES	YES	N.A.
1500	570	247	400	10x10x16.5/20SHP	14MCF	7	1.94	4905	722	313	342	YES	YES	N.A.
1500	580	251	400	10x10x16.5/20SHP	14MCF	7	1.94	4967	737	319	348	YES	YES	N.A.
1500	590	255	400	10x10x16.5/20SHP	14MCF	7	1.94	5069	752	326	354	YES	YES	N.A.
1500	600	260	400	10x10x16.5/20SHP	14MCF	7	1.94	5151	767	332	357	YES	YES	N.A.
1500	610	264	400	10x10x16.5/20SHP	14MCF	7	1.94	5233	782	339	366	YES	YES	N.A.
1500	624	270	400	10x10x16.5/20SHP	14MCF	7	1.94	5347	797	345	372	YES	YES	N.A.
1500	180	78	175	10x10x16.5/20S	14MDF	2	1.50	3969	229	99	128	YES	YES	YES
1500	185	80	175	10x10x16.5/20S	14MDF	2	1.50	4077	235	102	131	YES	YES	YES
1500	196	85	175	10x10x16.5/20S	14MDF	2	1.50	4314	247	107	141	YES	YES	YES
1500	208	90	175	10x10x16.5/20S	14MDF	2	1.50	4573	263	114	153	YES	YES	YES
1500	219	95	175	10x10x16.5/20S	14MDF	2	1.50	4811	275	119	158	YES	YES	YES
1500	231	100	175	10x10x16.5/20S	14MDF	3	1.50	5111	297	129	154	YES	YES	YES
1500	243	105	175	10x10x16.5/20S	14MDF	3	1.50	5371	311	135	163	YES	YES	YES
1500	254	110	175	10x10x16.5/20S	14MDF	3	1.50	5608	324	140	172	YES	YES	YES
1500	266	115	175	10x10x16.5/20S	14MDF	3	1.50	5867	338	146	185	YES	YES	YES
1500	277	120	175	10x10x16.5/20S	14MDF	3	1.50	6104	350	152	193	YES	YES	YES
1500	289	125	175	10x10x16.5/20S	14MDF	3	1.50	6363	366	158	208	YES	YES	YES
1500	300	130	175	10x10x16.5/20S	14MDF	3	1.50	6601	379	164	218	YES	YES	YES
1500	312	135	175	10x10x16.5/20S	14MDF	4	1.50	6901	401	174	208	YES	YES	YES
1500	323	140	175	10x10x16.5/20S	14MDF	4	1.50	7139	414	179	216	YES	YES	YES
1500	335	145	175	10x10x16.5/20S	14MDF	4	1.94	7398	429	186	230	YES	YES	YES
1500	347	150	175	10x10x16.5/20S	14MDF	4	1.94	7657	442	191	238	YES	YES	YES
1500	358	155	175	10x10x16.5/20S	14MDF	4	1.94	7894	455	197	248	YES	YES	YES
1500	370	160	175	10x10x16.5/20S	14MDF	4	1.94	8154	470	203	261	YES	YES	YES
1500	381	165	175	10x10x16.5/20S	14MDF	4	1.94	8391	482	209	269	YES	YES	YES



VERTICAL TURBINE FIRE PUMPS  
DIESEL ENGINE DRIVEN  
1760 PUMP RPM

**Diesel Engine Drive**

US GPM	BOWL HEAD FEET (MEASURED AT TOP BOWL OUTLET NOT DISCHARGE FLG)	BOWL HEAD PSI (MEASURED AT TOP BOWL OUTLET NOT DISCHARGE FLG)	DISCHARGE HEAD MAXIMUM WORKING PRESSURE	DISCHARGE HEAD SIZE	PUMP MODEL	NO. OF PUMP STGS.	COLUMN SHAFT SIZE	PUMP DOWN THRUST LB.	SHUT OFF HEAD FEET	SHUT OFF HEAD PSI	MAX PUMP GEAR BHP	UL LISTED FOR ENGINE DRIVE	ULC LISTED FOR ENGINE DRIVE	FM APPROVED FOR ENGINE DRIVE
1500	393	170	175	10x10x16.5/20S	14MDF	4	1.94	8650	498	216	284	YES	YES	YES
1500	404	175	175	10x10x16.5/20S	14MDF	4	1.94	8887	511	221	295	YES	YES	YES
1500	416	180	175	10x10x16.5/20S	14MDF	4	1.94	9188	533	231	283	YES	YES	YES
1500	427	185	175	10x10x16.5/20S	14MDF	4	1.94	9426	544	235	291	YES	YES	YES
1500	439	190	175	10x10x16.5/20S	14MDF	5	1.94	9685	560	242	305	YES	YES	YES
1500	450	195	175	10x10x16.5/20S	14MDF	5	1.94	9922	572	248	313	YES	YES	YES
1500	462	200	175	10x10x16.5/20S	14MDF	5	1.94	10181	585	253	323	YES	YES	YES
1500	474	205	175	10x10x16.5/20S	14MDF	5	1.94	10440	601	260	337	YES	YES	YES
1500	485	210	175	10x10x16.5/20S	14MDF	5	1.94	10678	613	265	345	YES	YES	YES
1500	497	215	175	10x10x16.5/20S	14MDF	5	1.94	10937	629	272	361	YES	YES	YES
1500	508	220	175	10x10x16.5/20S	14MDF	5	1.94	11174	642	278	371	YES	YES	YES
1500	520	225	175	10x10x16.5/20S	14MDF	6	1.94	11475	664	287	359	YES	YES	YES
1500	531	230	175	10x10x16.5/20S	14MDF	6	1.94	11712	676	293	367	YES	YES	YES
1500	543	235	175	10x10x16.5/20S	14MDF	6	1.94	11971	692	300	381	YES	YES	YES
1500	554	240	175	10x10x16.5/20S	14MDF	6	1.94	12209	704	305	390	YES	YES	YES
1500	566	245	175	10x10x16.5/20S	14MDF	6	2.19	12468	719	311	404	YES	YES	YES
1500	578	250	175	10x10x16.5/20S	14MDF	6	2.19	12727	733	317	414	YES	YES	YES
1500	589	255	175	10x10x16.5/20S	14MDF	6	2.19	12964	745	323	422	YES	YES	YES
1500	601	260	175	10x10x16.5/20S	14MDF	6	2.19	13223	760	329	437	YES	YES	YES
1500	612	265	175	10x10x16.5/20S	14MDF	6	2.19	13461	774	335	448	YES	YES	YES
1500	624	270	175	10x10x16.5/20S	14MDF	6	2.19	14033	743	322	468	YES	YES	YES
1500	635	275	175	10x10x16.5/20S	14MDF	6	2.19	14261	753	326	466	YES	YES	YES
1500	647	280	175	10x10x16.5/20S	14MDF	6	2.19	14510	765	331	464	YES	YES	YES
1500	658	285	175	10x10x16.5/20S	14MDF	6	2.19	14592	769	333	469	YES	YES	YES
1500	665	288	175	10x10x16.5/20S	14MDF	6	2.19	14592	769	333	469	YES	YES	YES
2000	162	70	175	10x10x16.5/20S	14MDF	2	1.50	3580	221	96	119	YES	YES	YES
2000	173	75	175	10x10x16.5/20S	14MDF	2	1.50	3580	235	102	132	YES	YES	YES
2000	185	80	175	10x10x16.5/20S	14MDF	2	1.50	3823	250	108	144	YES	YES	YES
2000	196	85	175	10x10x16.5/20S	14MDF	2	1.50	4045	264	114	154	YES	YES	YES
2000	208	90	175	10x10x16.5/20S	14MDF	2	1.50	4186	276	119	157	YES	YES	YES
2000	219	95	175	10x10x16.5/20S	14MDF	3	1.50	4552	303	131	158	YES	YES	YES
2000	231	100	175	10x10x16.5/20S	14MDF	3	1.50	4794	317	137	167	YES	YES	YES
2000	243	105	175	10x10x16.5/20S	14MDF	3	1.50	5037	332	144	181	YES	YES	YES
2000	254	110	175	10x10x16.5/20S	14MDF	3	1.50	5259	345	149	190	YES	YES	YES
2000	266	115	175	10x10x16.5/20S	14MDF	3	1.50	5502	361	156	204	YES	YES	YES
2000	277	120	175	10x10x16.5/20S	14MDF	3	1.50	5724	374	162	213	YES	YES	YES
2000	289	125	175	10x10x16.5/20S	14MDF	3	1.94	5966	389	168	228	YES	YES	YES
2000	300	130	175	10x10x16.5/20S	14MDF	4	1.94	6231	413	179	216	YES	YES	YES
2000	312	135	175	10x10x16.5/20S	14MDF	4	1.94	6473	429	186	229	YES	YES	YES
2000	323	140	175	10x10x16.5/20S	14MDF	4	1.94	6695	442	191	238	YES	YES	YES
2000	335	145	175	10x10x16.5/20S	14MDF	4	1.94	6938	456	197	249	YES	YES	YES
2000	347	150	175	10x10x16.5/20S	14MDF	4	1.94	7181	471	204	262	YES	YES	YES
2000	358	155	175	10x10x16.5/20S	14MDF	4	1.94	7403	485	210	271	YES	YES	YES
2000	370	160	175	10x10x16.5/20S	14MDF	4	1.94	7645	500	216	286	YES	YES	YES
2000	381	165	175	10x10x16.5/20S	14MDF	4	1.94	7868	514	223	298	YES	YES	YES
2000	393	170	175	10x10x16.5/20S	14MDF	5	1.94	8152	539	233	288	YES	YES	YES
2000	404	175	175	10x10x16.5/20S	14MDF	5	1.94	8374	552	239	296	YES	YES	YES
2000	416	180	400	10x10x16.5/20SHP	14MDF	5	1.94	8617	568	246	310	YES	YES	YES
2000	427	185	400	10x10x16.5/20SHP	14MDF	5	1.94	8839	581	252	319	YES	YES	YES
2000	439	190	400	10x10x16.5/20SHP	14MDF	5	1.94	9081	596	258	334	YES	YES	YES
2000	450	195	400	10x10x16.5/20SHP	14MDF	5	1.94	9304	609	264	343	YES	YES	YES
2000	462	200	400	10x10x16.5/20SHP	14MDF	5	1.94	9547	625	271	358	YES	YES	YES
2000	474	205	400	10x10x16.5/20SHP	14MDF	5	1.94	9789	639	277	369	YES	YES	YES
2000	485	210	400	10x10x16.5/20SHP	14MDF	6	1.94	10053	664	287	359	YES	YES	YES
2000	497	215	400	10x10x16.5/20SHP	14MDF	6	1.94	10296	678	294	368	YES	YES	YES
2000	508	220	400	10x10x16.5/20SHP	14MDF	6	1.94	10518	693	300	382	YES	YES	YES
2000	520	225	400	10x10x16.5/20SHP	14MDF	6	1.94	10761	707	306	391	YES	YES	YES



**VERTICAL TURBINE FIRE PUMPS**  
**DIESEL ENGINE DRIVEN**  
**1760 PUMP RPM**

**Diesel Engine Drive**

US GPM	BOWL HEAD FEET (MEASURED AT TOP BOWL OUTLET NOT DISCHARGE FLG)	BOWL HEAD PSI (MEASURED AT TOP BOWL OUTLET NOT DISCHARGE FLG)	DISCHARGE HEAD MAXIMUM WORKING PRESSURE	DISCHARGE HEAD SIZE	PUMP MODEL	NO. OF PUMP STGS.	COLUMN SHAFT SIZE	PUMP DOWN THRUST LB.	SHUT OFF HEAD FEET	SHUT OFF HEAD PSI	MAX PUMP GEAR BHP	UL LISTED FOR ENGINE DRIVE	ULC LISTED FOR ENGINE DRIVE	FM APPROVED FOR ENGINE DRIVE
2000	531	230	400	10x10x16.5/20SHP	14MDF	6	2.19	10983	721	312	406	YES	YES	YES
2000	543	235	400	10x10x16.5/20SHP	14MDF	6	2.19	11225	735	318	415	YES	YES	YES
2000	554	240	400	10x10x16.5/20SHP	14MDF	6	2.19	11448	749	324	424	YES	YES	YES
2000	566	245	400	10x10x16.5/20SHP	14MDF	6	2.19	11690	764	331	439	YES	YES	YES
2000	578	250	400	10x10x16.5/20SHP	14MDF	6	2.19	11933	779	337	454	YES	YES	YES
2000	589	255	400	10x10x16.5/20SHP	14MDF	6	2.19	13279	749	324	458	YES	YES	YES
2000	601	260	400	10x10x16.5/20SHP	14MDF	6	2.19	13548	761	329	458	YES	YES	YES
2000	612	265	400	10x10x16.5/20SHP	14MDF	6	2.19	13776	772	334	472	YES	YES	YES
2000	624	270	400	10x10x16.5/20SHP	14MDF	6	2.19	13781	769	333	469	YES	YES	YES
2000	240	104	175	10x10x16.5/20S	16MCF	2	1.94	3028	300	130	183	YES	YES	YES
2000	250	108	175	10x10x16.5/20S	16MCF	3	1.94	3200	350	152	186	YES	YES	YES
2000	260	113	175	10x10x16.5/20S	16MCF	3	1.94	3322	358	155	190	YES	YES	YES
2000	270	117	175	10x10x16.5/20S	16MCF	3	1.94	3444	362	157	196	YES	YES	YES
2000	280	121	175	10x10x16.5/20S	16MCF	3	1.94	3566	370	160	202	YES	YES	YES
2000	290	126	175	10x10x16.5/20S	16MCF	3	1.94	3688	378	164	208	YES	YES	YES
2000	300	130	175	10x10x16.5/20S	16MCF	3	1.94	3810	386	167	214	YES	YES	YES
2000	310	134	175	10x10x16.5/20S	16MCF	3	1.94	3932	394	171	219	YES	YES	YES
2000	320	139	175	10x10x16.5/20S	16MCF	3	1.94	4056	402	174	226	YES	YES	YES
2000	330	143	175	10x10x16.5/20S	16MCF	3	1.94	4176	407	176	234	YES	YES	YES
2000	340	147	175	10x10x16.5/20S	16MCF	3	1.94	4298	424	184	249	YES	YES	YES
2000	340	147	175	10x10x16.5/20S	16MCF	3	1.94	4298	424	184	249	YES	YES	YES
2000	350	152	175	10x10x16.5/20S	16MCF	3	1.94	4493	450	195	255	YES	YES	YES
2000	350	152	175	10x10x16.5/20S	16MCF	3	1.94	4493	450	195	255	YES	YES	YES
2000	360	156	175	10x10x16.5/20S	16MCF	4	1.94	4590	481	208	255	YES	YES	YES
2000	370	160	175	10x10x16.5/20S	16MCF	4	1.94	4712	489	212	265	YES	YES	YES
2000	380	165	175	10x10x16.5/20S	16MCF	4	1.94	4834	497	215	271	YES	YES	YES
2000	390	169	175	10x10x16.5/20S	16MCF	4	1.94	4956	505	219	277	YES	YES	YES
2000	400	173	175	10x10x16.5/20S	16MCF	4	1.94	5078	513	222	284	YES	YES	YES
2000	410	177	400	10x10x16.5/20SHP	16MCF	4	1.94	5200	520	225	294	YES	YES	YES
2000	420	182	400	10x10x16.5/20SHP	16MCF	4	1.94	5322	528	229	303	YES	YES	YES
2000	430	186	400	10x10x16.5/20SHP	16MCF	4	1.94	5444	536	232	313	YES	YES	YES
2000	440	190	400	10x10x16.5/20SHP	16MCF	4	1.94	5566	541	234	324	YES	YES	YES
2000	450	195	400	10x10x16.5/20SHP	16MCF	4	1.94	5688	556	241	335	YES	YES	YES
2000	460	199	400	10x10x16.5/20SHP	16MCF	4	1.94	5810	571	247	345	YES	YES	YES
2000	470	203	400	10x10x16.5/20SHP	16MCF	4	1.94	5932	586	254	356	YES	YES	YES
2000	480	208	400	10x10x16.5/20SHP	16MCF	4	1.94	6000	600	260	365	YES	YES	YES
2000	490	212	400	10x10x16.5/20SHP	16MCF	5	1.94	5890	630	273	347	YES	YES	YES
2000	500	216	400	10x10x16.5/20SHP	16MCF	5	1.94	6042	641	277	357	YES	YES	YES
2000	510	221	400	10x10x16.5/20SHP	16MCF	5	1.94	6195	656	284	367	YES	YES	YES
2000	520	225	400	10x10x16.5/20SHP	16MCF	5	1.94	6347	663	287	378	YES	YES	YES
2000	530	229	400	10x10x16.5/20SHP	16MCF	5	1.94	6500	674	292	389	YES	YES	YES
2000	540	234	400	10x10x16.5/20SHP	16MCF	5	1.94	6652	685	297	400	YES	YES	YES
2000	550	238	400	10x10x16.5/20SHP	16MCF	5	1.94	6805	696	301	421	YES	YES	YES
2000	560	242	400	10x10x16.5/20SHP	16MCF	5	1.94	6967	707	306	431	YES	YES	YES
2000	570	247	400	10x10x16.5/20SHP	16MCF	5	1.94	7110	718	311	443	YES	YES	YES
2000	580	251	400	10x10x16.5/20SHP	16MCF	5	1.94	7262	729	316	453	YES	YES	YES
2000	590	255	400	10x10x16.5/20SHP	16MCF	5	1.94	7415	740	320	463	YES	YES	YES
2000	600	260	400	10x10x16.5/20SHP	16MCF	5	1.94	7500	751	325	474	YES	YES	YES
2500	240	104	175	10x10x20S	16HXBFB	3	1.94	4665	336	145	222	YES	YES	YES
2500	250	108	175	10x10x20S	16HXBFB	3	1.94	4855	350	152	233	YES	YES	YES
2500	260	113	175	10x10x20S	16HXBFB	3	1.94	5045	361	156	244	YES	YES	YES
2500	270	117	175	10x10x20S	16HXBFB	3	1.94	5235	372	161	255	YES	YES	YES
2500	280	121	175	10x10x20S	16HXBFB	3	1.94	5425	380	165	265	YES	YES	YES
2500	290	126	175	10x10x20S	16HXBFB	3	1.94	5615	389	168	275	YES	YES	YES
2500	300	130	175	10x10x20S	16HXBFB	3	1.94	5805	403	174	287	YES	YES	YES
2500	310	134	175	10x10x20S	16HXBFB	3	1.94	5995	421	182	298	YES	YES	YES
2500	320	139	175	10x10x20S	16HXBFB	3	1.94	6185	431	187	306	YES	YES	YES



VERTICAL TURBINE FIRE PUMPS  
DIESEL ENGINE DRIVEN  
1760 PUMP RPM

**Diesel Engine Drive**

US GPM	BOWL HEAD FEET (MEASURED AT TOP BOWL OUTLET NOT DISCHARGE FLG)	BOWL HEAD PSI (MEASURED AT TOP BOWL OUTLET NOT DISCHARGE FLG)	DISCHARGE HEAD MAXIMUM WORKING PRESSURE	DISCHARGE HEAD SIZE	PUMP MODEL	NO. OF PUMP STGS.	COLUMN SHAFT SIZE	PUMP DOWN THRUST LB.	SHUT OFF HEAD FEET	SHUT OFF HEAD PSI	MAX PUMP GEAR BHP	UL LISTED FOR ENGINE DRIVE	ULC LISTED FOR ENGINE DRIVE	FM APPROVED FOR ENGINE DRIVE
2500	330	143	175	10x10x20S	16HXBF	3	1.94	6375	440	190	318	YES	YES	YES
2500	310	134	400	10x10x20SHP	16HXBF	3	1.94	5995	421	182	298	YES	YES	YES
2500	320	139	400	10x10x20SHP	16HXBF	3	1.94	6185	431	187	306	YES	YES	YES
2500	330	143	400	10x10x20SHP	16HXBF	3	1.94	6375	440	190	318	YES	YES	YES
2500	340	147	400	10x10x20SHP	16HXBF	3	1.94	6565	454	197	329	YES	YES	YES
2500	350	152	400	10x10x20SHP	16HXBF	4	1.94	6904	480	208	323	YES	YES	YES
2500	360	156	400	10x10x20SHP	16HXBF	4	1.94	6980	490	212	330	YES	YES	YES
2500	370	160	400	10x10x20SHP	16HXBF	4	1.94	7170	495	214	339	YES	YES	YES
2500	380	165	400	10x10x20SHP	16HXBF	4	1.94	7360	505	219	352	YES	YES	YES
2500	390	169	400	10x10x20SHP	16HXBF	4	1.94	7550	517	224	367	YES	YES	YES
2500	400	173	400	10x10x20SHP	16HXBF	4	1.94	7740	536	232	381	YES	YES	YES
2500	410	177	400	10x10x20SHP	16HXBF	4	1.94	7930	560	242	395	YES	YES	YES
2500	420	182	400	10x10x20SHP	16HXBF	4	1.94	8120	573	248	409	YES	YES	YES
2500	430	186	400	10x10x20SHP	16HXBF	4	1.94	8310	585	253	424	YES	YES	YES
2500	440	190	400	10x10x20SHP	16HXBF	4	1.94	8500	604	261	437	YES	YES	YES
2500	450	195	400	10x10x20SHP	16HXBF	5	1.94	8752	600	260	404	YES	YES	YES
2500	460	199	400	10x10x20SHP	16HXBF	5	1.94	8915	618	268	422	YES	YES	YES
2500	473	205	400	10x10x20SHP	16HXBF	5	1.94	9105	631	273	441	YES	YES	YES
2500	480	208	400	10x10x20SHP	16HXBF	5	1.94	9795	647	280	459	YES	NO	NO
2500	490	212	400	10x10x20SHP	16HXBF	5	1.94	9985	658	285	467	YES	NO	NO
2500	500	216	400	10x10x20SHP	16HXBF	5	1.94	10175	670	290	476	YES	NO	NO
2500	510	221	400	10x10x20SHP	16HXBF	5	1.94	10365	700	303	494	YES	NO	NO
2500	520	225	400	10x10x20SHP	16HXBF	5	1.94	10555	716	310	512	YES	NO	NO
2500	530	229	400	10x10x20SHP	16HXBF	5	1.94	10745	723	313	521	YES	NO	NO
2500	540	234	400	10x10x20SHP	16HXBF	5	1.94	10935	730	316	530	YES	NO	NO
2500	550	238	400	10x10x20SHP	16HXBF	5	1.94	11125	755	327	546	YES	NO	NO
2500	560	242	400	10x10x20SHP	16HXBF	6	1.94	11350	751	325	518	YES	NO	NO
2500	570	247	400	10x10x20SHP	16HXBF	6	1.94	11540	758	328	528	YES	NO	NO
2500	580	251	400	10x10x20SHP	16HXBF	6	1.94	11730	776	336	550	YES	NO	NO
2500	590	255	400	10x10x20SHP	16HXBF	6	1.94	11920	790	342	560	YES	NO	NO
2500	600	260	400	10x10x20SHP	16HXBF	6	1.94	12100	804	348	571	YES	NO	NO
2500	610	264	400	10x10x20SHP	16HXBF	6	1.94	12300	839	363	592	YES	NO	NO
2500	620	268	400	10x10x20SHP	16HXBF	6	1.94	12490	848	367	602	YES	NO	NO
2500	630	273	400	10x10x20SHP	16HXBF	6	1.94	12680	859	372	613	YES	NO	NO
2500	640	277	400	10x10x20SHP	16HXBF	6	1.94	12870	878	380	636	YES	NO	NO
2500	647	280	400	10x10x20SHP	16HXBF	6	1.94	13003	908	393	655	YES	NO	NO
2500	240	104	175	12x12x20S	16HXBF	3	1.94	4665	336	145	222	YES	YES	YES
2500	250	108	175	12x12x20S	16HXBF	3	1.94	4855	350	152	233	YES	YES	YES
2500	260	113	175	12x12x20S	16HXBF	3	1.94	5045	361	156	244	YES	YES	YES
2500	270	117	175	12x12x20S	16HXBF	3	1.94	5235	372	161	255	YES	YES	YES
2500	280	121	175	12x12x20S	16HXBF	3	1.94	5425	380	165	265	YES	YES	YES
2500	290	126	175	12x12x20S	16HXBF	3	1.94	5615	389	168	275	YES	YES	YES
2500	300	130	175	12x12x20S	16HXBF	3	1.94	5805	403	174	287	YES	YES	YES
2500	310	134	175	12x12x20S	16HXBF	3	1.94	5995	421	182	298	YES	YES	YES
2500	320	139	175	12x12x20S	16HXBF	3	1.94	6185	431	187	306	YES	YES	YES
2500	330	143	175	12x12x20S	16HXBF	3	1.94	6375	440	190	318	YES	YES	YES
2500	310	134	380	12x12x20SHP	16HXBF	3	1.94	5995	421	182	298	YES	YES	YES
2500	320	139	380	12x12x20SHP	16HXBF	3	1.94	6185	431	187	306	YES	YES	YES
2500	330	143	380	12x12x20SHP	16HXBF	3	1.94	6375	440	190	318	YES	YES	YES
2500	340	147	380	12x12x20SHP	16HXBF	3	1.94	6565	454	197	329	YES	YES	YES
2500	350	152	380	12x12x20SHP	16HXBF	4	1.94	6904	480	208	323	YES	YES	YES
2500	360	156	380	12x12x20SHP	16HXBF	4	1.94	6980	490	212	330	YES	YES	YES
2500	370	160	380	12x12x20SHP	16HXBF	4	1.94	7170	495	214	339	YES	YES	YES
2500	380	165	380	12x12x20SHP	16HXBF	4	1.94	7360	505	219	352	YES	YES	YES
2500	390	169	380	12x12x20SHP	16HXBF	4	1.94	7550	517	224	367	YES	YES	YES
2500	400	173	380	12x12x20SHP	16HXBF	4	1.94	7740	536	232	381	YES	YES	YES
2500	410	177	380	12x12x20SHP	16HXBF	4	1.94	7930	560	242	395	YES	YES	YES



VERTICAL TURBINE FIRE PUMPS  
DIESEL ENGINE DRIVEN  
1760 PUMP RPM

**Diesel Engine Drive**

US GPM	BOWL HEAD FEET (MEASURED AT TOP BOWL OUTLET NOT DISCHARGE FLG)	BOWL HEAD PSI (MEASURED AT TOP BOWL OUTLET NOT DISCHARGE FLG)	DISCHARGE HEAD MAXIMUM WORKING PRESSURE	DISCHARGE HEAD SIZE	PUMP MODEL	NO. OF PUMP STGS.	COLUMN SHAFT SIZE	PUMP DOWN THRUST LB.	SHUT OFF HEAD FEET	SHUT OFF HEAD PSI	MAX PUMP GEAR BHP	UL LISTED FOR ENGINE DRIVE	ULC LISTED FOR ENGINE DRIVE	FM APPROVED FOR ENGINE DRIVE
2500	420	182	380	12x12x20SHP	16HXBF	4	1.94	8120	573	248	409	YES	YES	YES
2500	430	186	380	12x12x20SHP	16HXBF	4	1.94	8310	585	253	424	YES	YES	YES
2500	440	190	380	12x12x20SHP	16HXBF	4	1.94	8500	604	261	437	YES	YES	YES
2500	450	195	380	12x12x20SHP	16HXBF	5	1.94	8752	600	260	404	YES	YES	YES
2500	460	199	380	12x12x20SHP	16HXBF	5	1.94	8915	618	268	422	YES	YES	YES
2500	473	205	380	12x12x20SHP	16HXBF	5	1.94	9105	631	273	441	YES	YES	YES
2500	480	208	400	12x12x20SHP	16HXBF	5	1.94	9795	647	280	459	YES	N.A.	N.A.
2500	490	212	400	12x12x20SHP	16HXBF	5	1.94	9985	658	285	467	YES	N.A.	N.A.
2500	500	216	400	12x12x20SHP	16HXBF	5	1.94	10175	670	290	476	YES	N.A.	N.A.
2500	510	221	400	12x12x20SHP	16HXBF	5	1.94	10365	700	303	494	YES	N.A.	N.A.
2500	520	225	400	12x12x20SHP	16HXBF	5	1.94	10555	716	310	512	YES	N.A.	N.A.
2500	530	229	400	12x12x20SHP	16HXBF	5	1.94	10745	723	313	521	YES	N.A.	N.A.
2500	540	234	400	12x12x20SHP	16HXBF	5	1.94	10935	730	316	530	YES	N.A.	N.A.
2500	550	238	400	12x12x20SHP	16HXBF	5	1.94	11125	755	327	546	YES	N.A.	N.A.
2500	560	242	400	12x12x20SHP	16HXBF	6	1.94	11350	751	325	518	YES	N.A.	N.A.
2500	570	247	400	12x12x20SHP	16HXBF	6	1.94	11540	758	328	528	YES	N.A.	N.A.
2500	580	251	400	12x12x20SHP	16HXBF	6	1.94	11730	776	336	550	YES	N.A.	N.A.
2500	590	255	400	12x12x20SHP	16HXBF	6	1.94	11920	790	342	560	YES	N.A.	N.A.
2500	600	260	400	12x12x20SHP	16HXBF	6	1.94	12100	804	348	571	YES	N.A.	N.A.
2500	610	264	400	12x12x20SHP	16HXBF	6	1.94	12300	839	363	592	YES	N.A.	N.A.
2500	620	268	400	12x12x20SHP	16HXBF	6	1.94	12490	848	367	602	YES	N.A.	N.A.
2500	630	273	400	12x12x20SHP	16HXBF	6	1.94	12680	859	372	613	YES	N.A.	N.A.
2500	640	277	400	12x12x20SHP	16HXBF	6	1.94	12870	878	380	636	YES	N.A.	N.A.
2500	647	280	400	12x12x20SHP	16HXBF	6	1.94	13003	908	393	655	YES	N.A.	N.A.
3000	360	156	400	12x12x20SHP	16HXBF	4	1.94	7400	501	217	385	YES	N.A.	N.A.
3000	370	160	400	12x12x20SHP	16HXBF	4	1.94	7600	514	223	403	YES	N.A.	N.A.
3000	380	165	400	12x12x20SHP	16HXBF	4	1.94	8200	530	229	406	YES	N.A.	N.A.
3000	259	112	175	12x12x20S	18HXBF	2	1.94	6348	319	138	347	YES	YES	YES
3000	266	115	175	12x12x20S	18HXBF	2	1.94	6516	325	141	358	YES	YES	YES
3000	277	120	175	12x12x20S	18HXBF	2	1.94	6780	335	145	375	YES	YES	YES
3000	289	125	175	12x12x20S	18HXBF	3	1.94	7139	397	172	362	YES	YES	YES
3000	300	130	175	12x12x20S	18HXBF	3	1.94	7402	401	174	379	YES	YES	YES
3000	312	135	175	12x12x20S	18HXBF	3	1.94	7690	413	179	396	YES	YES	YES
3000	323	140	175	12x12x20S	18HXBF	3	1.94	7953	424	184	412	YES	YES	YES
3000	335	145	175	12x12x20S	18HXBF	3	1.94	8240	436	189	431	YES	YES	YES
3000	347	150	175	12x12x20S	18HXBF	3	1.94	8528	446	193	449	YES	YES	YES
3000	358	155	175	12x12x20S	18HXBF	3	1.94	8792	455	197	467	YES	YES	YES
3000	370	160	175	12x12x20S	18HXBF	3	1.94	9079	464	201	478	YES	YES	YES
3000	381	165	175	12x12x20S	18HXBF	3	1.94	9343	475	206	502	YES	YES	YES
3000	393	170	175	12x12x20S	18HXBF	3	1.94	9630	484	210	523	YES	YES	YES
3000	404	175	175	12x12x20S	18HXBF	3	1.94	9894	493	213	538	YES	YES	YES
3000	416	180	175	12x12x20S	18HXBF	3	1.94	10181	503	218	560	YES	YES	YES
3000	416	180	380	12x12x20SHP	18HXBF	3	1.94	10181	503	218	560	YES	YES	YES
3000	427	185	380	12x12x20SHP	18HXBF	4	1.94	10516	565	245	543	YES	YES	YES
3000	439	190	380	12x12x20SHP	18HXBF	4	1.94	10804	576	249	562	YES	YES	YES
3000	446	193	400	12x12x20SHP	18HXBF	4	1.94	11025	580	251	576	YES	NO	NO
3000	450	195	400	12x12x20SHP	18HXBF	4	1.94	11067	581	252	577	YES	NO	NO
3000	462	200	400	12x12x20SHP	18HXBF	4	1.94	11355	593	257	595	YES	NO	NO
3000	474	205	400	12x12x20SHP	18HXBF	4	1.94	11642	604	261	614	YES	NO	NO
3000	485	210	400	12x12x20SHP	18HXBF	4	1.94	11906	614	266	631	YES	NO	NO
3000	497	215	400	12x12x20SHP	18HXBF	4	1.94	12193	624	270	651	YES	NO	NO
3000	508	220	400	12x12x20SHP	18HXBF	4	1.94	12457	631	273	667	YES	NO	NO
3000	520	225	400	12x12x20SHP	18HXBF	4	1.94	12744	643	278	685	YES	NO	NO
3000	531	230	400	12x12x20SHP	18HXBF	4	1.94	13008	652	282	705	YES	NO	NO
3000	543	235	400	12x12x20SHP	18HXBF	4	1.94	13295	662	287	718	YES	NO	NO
3000	554	240	400	12x12x20SHP	18HXBF	4	1.94	13559	671	290	744	YES	NO	NO
3000	270	117	150	14x14x24.5S	20HXBF	2	2.19	9690	339	147	447	YES	YES	YES



**VERTICAL TURBINE FIRE PUMPS  
DIESEL ENGINE DRIVEN  
1760 PUMP RPM**

**Diesel Engine Drive**

US GPM	BOWL HEAD FEET (MEASURED AT TOP BOWL OUTLET NOT DISCHARGE FLG)	BOWL HEAD PSI (MEASURED AT TOP BOWL OUTLET NOT DISCHARGE FLG)	DISCHARGE HEAD MAXIMUM WORKING PRESSURE	DISCHARGE HEAD SIZE	PUMP MODEL	NO. OF PUMP STGS.	COLUMN SHAFT SIZE	PUMP DOWN THRUST LB.	SHUT OFF HEAD FEET	SHUT OFF HEAD PSI	MAX PUMP GEAR BHP	UL LISTED FOR ENGINE DRIVE	ULC LISTED FOR ENGINE DRIVE	FM APPROVED FOR ENGINE DRIVE
3000	280	121	150	14x14x24.5S	20HXBF	2	2.19	10040	351	152	462	YES	YES	YES
3000	290	126	150	14x14x24.5S	20HXBF	2	2.19	10390	363	157	478	YES	YES	YES
3000	300	130	150	14x14x24.5S	20HXBF	2	2.19	10740	375	162	495	YES	YES	YES
3000	310	134	150	14x14x24.5S	20HXBF	2	2.19	11090	387	168	509	YES	YES	YES
3000	300	130	210	14x14x24.5SHP	20HXBF	2	2.19	10740	375	162	495	YES	YES	YES
3000	310	134	210	14x14x24.5SHP	20HXBF	2	2.19	11090	387	168	509	YES	YES	YES
3000	320	139	210	14x14x24.5SHP	20HXBF	2	2.19	11440	399	173	525	YES	YES	YES
3000	330	143	210	14x14x24.5SHP	20HXBF	2	2.19	11790	411	178	542	YES	YES	YES
3000	340	147	210	14x14x24.5SHP	20HXBF	2	2.19	12490	435	188	574	YES	YES	YES
3000	340	147	210	14x14x24.5SHP	20HXBF	2	2.19	12140	423	183	558	YES	YES	YES
3000	350	152	210	14x14x24.5SHP	20HXBF	2	2.19	12490	435	188	574	YES	YES	YES
3500	250	108	175	12x12x20S	18HXBF	2	1.94	6178	326	141	343	YES	YES	YES
3500	260	113	175	12x12x20S	18HXBF	2	1.94	6398	333	144	360	YES	YES	YES
3500	270	117	175	12x12x20S	18HXBF	2	1.94	6618	340	147	376	YES	YES	YES
3500	280	121	175	12x12x20S	18HXBF	2	1.94	6838	353	153	395	YES	YES	YES
3500	290	126	175	12x12x20S	18HXBF	3	1.94	7121	390	169	387	YES	YES	YES
3500	300	130	175	12x12x20S	18HXBF	3	1.94	7341	407	176	414	YES	YES	YES
3500	310	134	175	12x12x20S	18HXBF	3	1.94	7561	413	179	426	YES	YES	YES
3500	320	139	175	12x12x20S	18HXBF	3	1.94	7781	417	181	435	YES	YES	YES
3500	330	143	175	12x12x20S	18HXBF	3	1.94	8001	427	185	442	YES	YES	YES
3500	340	147	175	12x12x20S	18HXBF	3	1.94	8221	443	192	453	YES	YES	YES
3500	310	134	380	12x12x20SHP	18HXBF	3	1.94	7561	413	179	426	YES	YES	YES
3500	320	139	380	12x12x20SHP	18HXBF	3	1.94	7781	417	181	435	YES	YES	YES
3500	320	139	380	12x12x20SHP	18HXBF	3	1.94	7781	417	181	435	YES	YES	YES
3500	330	143	380	12x12x20SHP	18HXBF	3	1.94	8001	427	185	442	YES	YES	YES
3500	330	143	380	12x12x20SHP	18HXBF	3	1.94	8001	427	185	442	YES	YES	YES
3500	340	147	380	12x12x20SHP	18HXBF	3	1.94	8221	443	192	453	YES	YES	YES
3500	350	152	380	12x12x20SHP	18HXBF	3	1.94	8441	474	205	475	YES	YES	YES
3500	360	156	380	12x12x20SHP	18HXBF	3	1.94	8661	479	207	486	YES	YES	YES
3500	370	160	380	12x12x20SHP	18HXBF	3	1.94	8881	483	209	507	YES	YES	YES
3500	370	160	380	12x12x20SHP	18HXBF	3	1.94	8881	483	209	507	YES	YES	YES
3500	380	165	380	12x12x20SHP	18HXBF	3	1.94	9101	490	212	524	YES	YES	YES
3500	390	169	380	12x12x20SHP	18HXBF	3	1.94	9321	500	216	540	YES	YES	YES
3500	400	173	380	12x12x20SHP	18HXBF	3	1.94	9541	505	219	566	YES	YES	YES
3500	400	173	380	12x12x20SHP	18HXBF	3	1.94	9541	505	219	566	YES	YES	YES
3500	410	177	380	12x12x20SHP	18HXBF	3	1.94	9761	515	223	581	YES	YES	YES
3500	420	182	380	12x12x20SHP	18HXBF	3	1.94	9981	525	227	601	YES	YES	YES
3500	260	113	150	14x14x24.5S	20HXBF	2	2.19	9690	339	147	447	YES	YES	YES
3500	270	117	150	14x14x24.5S	20HXBF	2	2.19	10040	351	152	462	YES	YES	YES
3500	280	121	150	14x14x24.5S	20HXBF	2	2.19	10390	363	157	479	YES	YES	YES
3500	290	126	150	14x14x24.5S	20HXBF	2	2.19	10740	399	173	495	YES	YES	YES
3500	280	121	210	14x14x24.5SHP	20HXBF	2	2.19	11090	363	157	479	YES	YES	YES
3500	290	126	210	14x14x24.5SHP	20HXBF	2	2.19	10740	399	173	495	YES	YES	YES
3500	300	130	210	14x14x24.5SHP	20HXBF	2	2.19	11090	387	168	509	YES	YES	YES
3500	310	134	210	14x14x24.5SHP	20HXBF	2	2.19	11440	399	173	525	YES	YES	YES
3500	320	139	210	14x14x24.5SHP	20HXBF	2	2.19	11790	411	178	542	YES	YES	YES
3500	330	143	210	14x14x24.5SHP	20HXBF	2	2.19	12140	423	183	558	YES	YES	YES
4000	250	108	150	14x14x24.5S	20HXBF	2	2.19	9690	339	147	447	YES	YES	YES
4000	260	113	150	14x14x24.5S	20HXBF	2	2.19	10040	351	152	462	YES	YES	YES
4000	270	117	150	14x14x24.5S	20HXBF	2	2.19	10390	363	157	478	YES	YES	YES
4000	280	121	150	14x14x24.5S	20HXBF	2	2.19	10740	375	162	495	YES	YES	YES
4000	290	126	150	14x14x24.5S	20HXBF	2	2.19	11090	387	168	509	YES	YES	YES
4000	280	121	210	14x14x24.5SHP	20HXBF	2	2.19	10740	375	162	495	YES	YES	YES
4000	290	126	210	14x14x24.5SHP	20HXBF	2	2.19	11090	387	168	509	YES	YES	YES
4000	300	130	210	14x14x24.5SHP	20HXBF	2	2.19	11440	399	173	525	YES	YES	YES
4000	310	134	210	14x14x24.5SHP	20HXBF	2	2.19	11790	411	178	542	YES	YES	YES
4000	320	139	210	14x14x24.5SHP	20HXBF	2	2.19	12140	423	183	558	YES	YES	YES



**VERTICAL TURBINE FIRE PUMPS  
DIESEL ENGINE DRIVEN  
1760 PUMP RPM**

**Diesel Engine Drive**

US GPM	BOWL HEAD FEET (MEASURED AT TOP BOWL OUTLET NOT DISCHARGE FLG)	BOWL HEAD PSI (MEASURED AT TOP BOWL OUTLET NOT DISCHARGE FLG)	DISCHARGE HEAD MAXIMUM WORKING PRESSURE	DISCHARGE HEAD SIZE	PUMP MODEL	NO. OF PUMP STGS.	COLUMN SHAFT SIZE	PUMP DOWN THRUST LB.	SHUT OFF HEAD FEET	SHUT OFF HEAD PSI	MAX PUMP GEAR BHP	UL LISTED FOR ENGINE DRIVE	ULC LISTED FOR ENGINE DRIVE	FM APPROVED FOR ENGINE DRIVE
4000	330	143	210	14x14x24.5SHP	20HXBF	2	2.19	12490	435	188	574	YES	YES	YES
4000	340	147	210	14x14x24.5SHP	20HXBF	2	2.19	11460	444	192	598	YES	YES	YES
4000	350	152	210	14x14x24.5SHP	20HXBF	2	2.19	11790	457	198	625	YES	YES	YES
4000	360	156	210	14x14x24.5SHP	20HXBF	2	2.19	12120	476	206	653	YES	YES	YES
4000	374	162	210	14x14x24.5SHP	20HXBF	2	2.19	12582	485	210	660	YES	YES	YES
4000	381	165	280	14x14x24.5SHP	20HXBF	3	2.19	13483	534	231	670	YES	NO	NO
4000	393	170	280	14x14x24.5SHP	20HXBF	3	2.19	13881	550	238	694	YES	NO	NO
4000	404	175	280	14x14x24.5SHP	20HXBF	3	2.19	14279	566	245	723	YES	NO	NO
4000	416	180	280	14x14x24.5SHP	20HXBF	3	2.19	14677	582	252	739	YES	NO	NO
4000	427	185	280	14x14x24.5SHP	20HXBF	3	2.19	15074	598	259	760	YES	NO	NO
4000	439	190	280	14x14x24.5SHP	20HXBF	3	2.19	15472	614	266	782	YES	NO	NO
4000	450	195	280	14x14x24.5SHP	20HXBF	3	2.19	15870	631	273	804	YES	NO	NO
4000	462	200	280	14x14x24.5SHP	20HXBF	3	2.19	16267	647	280	842	YES	NO	NO
4000	474	205	280	14x14x24.5SHP	20HXBF	3	2.19	16665	663	287	853	YES	NO	NO
4000	485	210	280	14x14x24.5SHP	20HXBF	3	2.19	17063	679	294	881	YES	NO	NO
4000	490	212	280	14x14x24.5SHP	20HXBF	3	2.19	17222	684	296	894	YES	NO	NO
4500	240	104	150	14x14x24.5S	20HXBF	2	2.19	9690	339	147	447	YES	YES	YES
4500	250	108	150	14x14x24.5S	20HXBF	2	2.19	10040	351	152	462	YES	YES	YES
4500	260	113	150	14x14x24.5S	20HXBF	2	2.19	10390	363	157	478	YES	YES	YES
4500	270	117	150	14x14x24.5S	20HXBF	2	2.19	10740	375	162	495	YES	YES	YES
4500	280	121	150	14x14x24.5S	20HXBF	2	2.19	11090	387	168	509	YES	YES	YES
4500	270	117	210	14x14x24.5SHP	20HXBF	2	2.19	10740	375	162	495	YES	YES	YES
4500	280	121	210	14x14x24.5SHP	20HXBF	2	2.19	11090	387	168	509	YES	YES	YES
4500	290	126	210	14x14x24.5SHP	20HXBF	2	2.19	11440	399	173	525	YES	YES	YES
4500	300	130	210	14x14x24.5SHP	20HXBF	2	2.19	11790	411	178	542	YES	YES	YES
4500	310	134	210	14x14x24.5SHP	20HXBF	2	2.19	12140	423	183	558	YES	YES	YES
4500	320	139	210	14x14x24.5SHP	20HXBF	2	2.19	12490	435	188	574	YES	YES	YES
4500	330	143	210	14x14x24.5SHP	20HXBF	2	2.19	10635	444	192	598	YES	YES	YES
4500	340	147	210	14x14x24.5SHP	20HXBF	2	2.19	10950	457	198	625	YES	YES	YES
4500	350	152	210	14x14x24.5SHP	20HXBF	2	2.19	11265	476	206	653	YES	YES	YES
4500	360	156	210	14x14x24.5SHP	20HXBF	2	2.19	11580	485	210	660	YES	YES	YES
4500	370	160	280	14x14x24.5SHP	20HXBF	3	2.19	12485	517	224	674	YES	NO	NO
4500	381	165	280	14x14x24.5SHP	20HXBF	3	2.19	12864	534	231	700	YES	NO	NO
4500	393	170	280	14x14x24.5SHP	20HXBF	3	2.19	13243	550	238	723	YES	NO	NO
4500	404	175	280	14x14x24.5SHP	20HXBF	3	2.19	13622	566	245	745	YES	NO	NO
4500	416	180	280	14x14x24.5SHP	20HXBF	3	2.19	14001	582	252	766	YES	NO	NO
4500	427	185	280	14x14x24.5SHP	20HXBF	3	2.19	14380	598	259	788	YES	NO	NO
4500	439	190	280	14x14x24.5SHP	20HXBF	3	2.19	14759	614	266	810	YES	NO	NO
4500	450	195	280	14x14x24.5SHP	20HXBF	3	2.19	15137	631	273	840	YES	NO	NO
4500	462	200	280	14x14x24.5SHP	20HXBF	3	2.19	15517	647	280	859	YES	NO	NO
4500	469	203	280	14x14x24.5SHP	20HXBF	3	2.19	15744	656	284	876	YES	NO	NO
5000	310	134	210	14x14x24.5SHP	20HXBF	2	2.19	12490	434	188	574	YES	YES	YES
5000	320	139	210	14x14x24.5SHP	20HXBF	2	2.19	9680	444	192	598	YES	YES	YES
5000	330	143	210	14x14x24.5SHP	20HXBF	2	2.19	9975	457	198	625	YES	YES	YES
5000	340	147	210	14x14x24.5SHP	20HXBF	2	2.19	10270	476	206	653	YES	YES	YES
5000	351	152	210	14x14x24.5SHP	20HXBF	2	2.19	10595	485	210	660	YES	YES	YES
5000	370	160	280	14x14x24.5SHP	20HXBF	3	2.19	11700	517	224	696	YES	NO	NO
5000	381	165	280	14x14x24.5SHP	20HXBF	3	2.19	12100	534	231	723	YES	NO	NO
5000	393	170	280	14x14x24.5SHP	20HXBF	3	2.19	12700	550	238	742	YES	NO	NO
5000	404	175	280	14x14x24.5SHP	20HXBF	3	2.19	13900	566	245	763	YES	NO	NO
5000	416	180	280	14x14x24.5SHP	20HXBF	3	2.19	13500	582	252	785	YES	NO	NO
5000	427	185	280	14x14x24.5SHP	20HXBF	3	2.19	13700	598	259	808	YES	NO	NO
5000	439	190	280	14x14x24.5SHP	20HXBF	3	2.19	14000	614	266	831	YES	NO	NO
5000	450	195	280	14x14x24.5SHP	20HXBF	3	2.19	14250	631	273	857	YES	NO	NO
5000	460	199	280	14x14x24.5SHP	20HXBF	3	2.19	14300	644	279	882	YES	NO	NO



### **Fire Pump Diesel Engine Selection**

The compression ignition diesel engine is the only currently acceptable engine for fire pump service. The engine must be specifically labeled for fire pump service by a nationally recognized testing laboratory. Spark ignited engines fueled with gasoline, natural gas, LPG are not acceptable engines for fire pump service.

Fire pump diesel engines are rated in accordance with the current issue of NFPA Pamphlet No. 20 with the standard conditions of 300 feet (91.4m) altitude, an air temperature entering the engine air cleaner of 77° F. (25° C.) and at the atmospheric pressure of 29.61 inches (752mm) of Hg.. Table No. 1 (on page 48.11) tabulates the listed usable Bhp of the fire pump diesel engines available from Peerless Pump Company which meet these criteria.

The current issue of NFPA Pamphlet No.20 specifies the following engine Bhp derates if fire pump job site's altitude is greater than 300 feet and air temperature entering air cleaner is greater than 77° F.:

- A. Derate engine listed usable Bhp 3% for each 1000 feet altitude above 300 feet.**
- B. Derate engine listed usable Bhp 1% for each 10° F. above 77° F..**

Table No. 2 (on page 48.12) tabulates the engine derate multiplier factors to be applied to Table No. 1 engine listed Bhp's to calculate the usable engine Bhp when job site's altitude and temperature exceeds 300 feet and 77° F. respectively.

After the pump model is determined from the preceding selection tables and the required pump Bhp is noted, select the engine according to job site's altitude and temperature per one of the following methods:

1. If job site's altitude is 300 feet or less and temperature entering air cleaner is 77° F. or less, select engine from Table No. 1 that has a listed Bhp equal to or greater than required pump Bhp. (See Example No. 1)
2. If job site's altitude is greater than 300 feet and/or air temperature entering the air cleaner is greater than 77° F., refer to Table No. 2 and note the multiplier factor that is to be used for the job site's altitude and/or temperature. Refer to Table No. 1 and select an engine with a listed Bhp closest to but greater than required pump Bhp and multiply by the altitude/temperature factor. If the product is equal to or greater than required pump Bhp, the selected engine may be used. If not, then select the next engine model which has a greater Bhp than the preliminary selected engine and repeat the Bhp calculation procedure. (See Example No. 2)

**Example No. 1:**

From the selection tables a model 10MAF, 500 GPM, 427 Bowl Head Feet, 1760 Rpm, engine driven fire pump having 86 maximum Bhp, is required for a jobsite altitude of 300 feet with an air temperature of 70° F..

Per Method (1) above the engine can be selected directly from Table No. 1 which would be a Clarke Model PDFPL4YT engine having 92 listed Bhp at 2640 rpm since base altitude and temperature has not been exceeded for the listed Bhp of the engine.

**Example No. 2:**

From the selection tables a model 10MAF, 500 GPM, 485 Bowl Head Feet, 1760 rpm, engine driven fire pump having 96 maximum Bhp, is required for a jobsite altitude of 2000 feet with an air temperature of 95° F..

Method (1) cannot be used as base altitude and temperature is exceeded and Method (2) must be used in selecting engine. From Table No 1 a preliminary selection would be a Clarke Model PDFP04YT engine having a listed rating of 100 Bhp at 2640 rpm which has a listed Bhp closest to, but greater than the pump required Bhp. From Table No. 2, the derate factor for application would be .931, therefore, the maximum usable engine Bhp would be 93.1 (100 x .931 = 93.1 Bhp) for the PDFP04YT at 2000 feet altitude and 95° F. temperature. Since the pump requires a maximum of 96 Bhp, the PDFP04YT engine **cannot** be used.

Repeating the selection step, from Table 1, the next available engine with a Bhp greater than the PDFP04YT would be the Clarke Model PDFPL6YN engine having a listed rating of 110 Bhp at 2640 rpm. Using the same derate factor of .931 the maximum usable engine Bhp would be 102.41 (110 x .931 = 102.41 Bhp) for the model PDFPL6YN at 2000 feet altitude and 95° F. temperature which would be suitable for the application.

**NOTE:** Above examples may not reflect the most economical engine selections.

**Continued on page 48.11**

*Subject to change without notice*



Fire Pump Diesel Engine Selection- *continued*  
**TABLE NO. 1 ENGINE BHP AT 300 FEET ELEVATION AND 77° F.**

Engine		UL LISTED, FM APPROVED BHP BY RPM (Engine actual speed to maintain 1760 RPM gear output speed to pump) {Right angle gear ratio required}				
Manufacturer	Model Number	1760 (1760){1:1}	2100 (2112){6:5}	2350 (2347){4:3}	2600 (2640){3:2}	3000 (3080){7:4}
Clarke	JU4R-UF09	39	48	52		
	JU4H-UF10	41	51	55		
	JU4R-UF11			52	55.5	
	JU4H-UF12			55	59	
	JU4R-UF13					66.5
	JU4H-UF14			55	59	71
	JU4R-UF19	58.5	64.5	68		
	JU4H-UF20	60	67	72		
	JU4R-UF21			68	70.5	
	JU4H-UF22			72	75	
	JU4R-UF23					78
	JU4H-UF28	60				
	JU4H-UF24			72	75	83
	JU4H-UF30	64	79	85		
	JU4H-UF32			85	85	
	JU4H-UF34	-		85	85	115
	JU4H-UFH8	73				
	JU4H-UFH0	73	88	98		
	JU4H-UFH2			98	99	
	JU4R-UF40	94	105	106		
	JU4H-UF40	94	105	106		
	JU4H-UF42			106	106	
	JU4R-UF49	106	123	117		
	JU4H-UF50	110	130	127		
	JU4R-UF51			119	119	
	JU4H-UF52			127	127	
	JU4R-UF53					133
	JU4H-UF54			122	139	145
	JU4H-UF58		110			
	JU6H-UFD0		110	144	148	
	JU6H-UFD2			148	148	
	JU6H-UF30	140	160	160		
	JU6H-UFG8	149				
	JU6H-UFM8	175				
	JU6H-UFM0	175	207	200		
	JU6H-UFM2			200	200	
	JU6H-UF32			160	160	
	JU6H-UF34			160	160	175
	JU6H-UF50	183	210	210		
	JU6H-UF52		210	210		
	JU6H-UF58	183				
	JU6H-UF54			210	216	216
JU6H-UF60	200	240	240			
JU6H-UF60	200	240	240			
JU6H-UF62			240	240		
JU6H-UF84			243	247	275	
JW6H-UF30	265	275	275			
JW6H-UF38	252					
JW6H-UF40	290	300	300			
JW6H-UF48	290					
JW6H-UF50	300	340	350			
JW6H-UF58	300					
JW6H-UF60	360	375	360			
JX6H-UF30	420	430				
JX6H-UF40	460	485				
JX6H-UF50	485	510				
JX6H-UF60	510	525				
JX6H-UF70	575	575				

*Continued on the next page*

**VERTICAL TURBINE FIRE PUMPS  
Diesel Engine Driven Units**



Fire Pump Diesel Engine Selection- *continued*  
**TABLE NO. 1 ENGINE BHP AT 300 FEET ELEVATION AND 77° F.**

Engine		UL LISTED, FM APPROVED BHP BY RPM (Engine actual speed to maintain 1760 RPM gear output speed to pump) {Right angle gear ratio required}						
Manufacturer	Model Number	1750 (1760) {1:1}	1760 (1760) {1:1}	2100 (2112) {6:5}	2300 (2347) {4:3}	2350 (2347) {4:3}	2600 (2640) (3:2)	3000 (3080) {7:4}
Cummins Fire Power	CFP33-F10	-	37	37	-	38	40	-
	CFP33-F20	-	60	57	-	60	62	-
	CFP33-F25	-	-	-	-	-	62	-
	CFP33-F30	-	73	72	-	74	77	-
	CFP33-F35	-	-	-	-	-	77	-
	CFP39-F15	-	69	89	-	98	99	-
	CFP59-F10	-	115	-	-	-	-	-
	CFP59-F15	-	-	122	-	126	126	-
	CFP59-F20	-	149	-	-	-	-	-
	CFP59-F25	-	-	144	-	148	148	-
	CFP59-F40	-	171	-	-	-	-	-
	CFP59-F45	-	-	150	-	158	153	-
	CFP59-F50	-	188	-	-	-	-	-
	CFP59-F55	-	182	207	-	-	-	-
	CFP83-F10	-	202	-	-	-	-	-
	CFP6E-F15	-	175	200	-	200	200	-
	CFP6E-F25	-	191	215	-	225	215	-
	CFP83-F20	-	227	-	-	-	-	-
	CFP6E-F35	-	210	232	-	246	225	-
	CFP83-F30	-	252	-	-	-	-	-
CFP8E-F10	-	298	306	-	-	-	-	
CFP11E-F10	-	373	331	-	-	-	-	
CFP11E-F20	-	424	360	-	-	-	-	
Caterpillar	3126DITA	195	-	235	-	250	-	200
	3406BDIT PA0083	292	-	330	-	-	-	-
	3406BDIT PA2519	370	-	375	350	-	-	-
	3406BDITA PA0084	420	-	430	-	-	-	-
	3406BDITA PA2520	460	-	482	455	-	-	-
	3408BDITA PA3282	481	-	507	-	-	-	-
	3408BDITA PA2521	510	-	525	510	-	-	-
	3412DIT PA3280	538	-	572	-	-	-	-
	3412DIT PA2522	660	-	700	625	-	-	-
	3412DITA PA3281	638	-	739	-	-	-	-
3412DITA PA2523	800	-	870	870	-	-	-	

**TABLE NO. 2 ALTITUDE/ TEMPERATURE DERATE**

Altitude Ft.	TEMPERATURE °F.													
	77	80	85	90	95	100	105	110	115	120	125	130	135	140
300	1.000	.997	.992	.987	.982	.977	.972	.967	.962	.957	.952	.947	.942	.937
1000	.979	.976	.971	.966	.961	.956	.951	.946	.941	.936	.931	.926	.921	.916
1500	.964	.961	.956	.951	.946	.941	.936	.931	.926	.921	.916	.911	.906	.901
2000	.949	.946	.941	.936	.931	.926	.921	.916	.911	.906	.901	.896	.891	.886
2500	.934	.931	.926	.921	.916	.911	.906	.901	.896	.891	.886	.881	.876	.871
3000	.919	.916	.911	.906	.901	.896	.891	.886	.881	.876	.871	.866	.861	.856
3500	.904	.901	.896	.891	.886	.881	.876	.871	.866	.861	.856	.851	.846	.841
4000	.889	.886	.881	.876	.871	.866	.861	.856	.851	.846	.841	.836	.831	.826
4500	.874	.871	.866	.861	.856	.851	.846	.841	.836	.831	.826	.821	.816	.811



**FIRE PUMP FITTINGS ORDERING INFORMATION**

**(Read Carefully Before Ordering)**

**ALL REQUESTED INFORMATION MUST BE SUPPLIED ON APPLICABLE ITEMS**

**Item No.**

**4. Commercial Discharge Tee with 90° Relief Valve Elbow:** Select size depending on local authority having jurisdiction.

**5. Direct Acting Relief Valve:** A "main relief valve" is required for all units connected to an adjustable speed driver (engine or steam turbine). A "main relief valve" may also be required on a constant speed driver (electric motor) if the pump shut off pressure plus the static suction pressure exceeds the pressure for which the system is designed to operate. 3, 4 and 6 inch valves are Kunkle Model 218CS164.

**Select the "main relief valve" based on the following.**

- a. Pump rated GPM and pump MWP (Maximum Working Pressure) shown in this section.
- b. Valve size and type based on the requirement of local insuring authorities. Some local insuring authorities may require a "direct acting" valve.
- c. **Set range:** The "main relief valve" should be set to open at a pressure slightly higher than the normal operating pressure of the pump.
- d. A "direct acting relief valve" will start to open and drip at approximately 80% of the set pressure. A valve set at 170 psi will start to drip at approximately 136 psi.

**6. Pilot operated Relief Valve:** A "main relief valve" is required for all units connected to an adjustable speed driver (engine or steam turbine). A "main relief valve" may also be required on a constant speed driver (electric motor) if the pump shut off pressure plus the static suction pressure exceeds the pressure for which the system is designed to operate. Valve sizes manufacturers' that may be selected are Watts-Muesco Model 1116FM , OCV 108FCA , Cla-VIal 50B4KG-1 angle pattern valves.

Select the "main relief valve" based on the following.

- a. Pump rated GPM and pump MWP (Maximum Working Pressure) shown in this section.
- b. Valve size and type based on there requirement of local insuring authorities. Some local insuring authorities may require a "pilot operated" valve. Note the UL listing and FM approval status of pilot operated valves.
- c. **Set range:** The "main relief valve" should be set to open at a pressure slightly higher than the normal operating pressure of the pump.
- d. A "pilot operated relief valve" will start to open and drip at approximately 98% of the set pressure. A valve set at 170 psi will start to drip at approximately 166 psi.
- e. When piping two (2) or main relief valves into a common header, direct acting relief valves should be used. Pilot operated relief valves are not suitable because reverse flow can result through the valve which is not operating. If pilot operated valves are used, a check valve must be installed to prevent reverse flow.

**Continued on page 53**

*Subject to change without notice.*



FIRE PUMP FITTINGS  
ORDERING INFORMATION

—continued—

Item No.

7. **Overflow Cone:** Select size depending on relief valve size. One design is of the enclosed overflow type with sight glass. Maximum allowable back pressure is 100 psi.
9. **Hose Valve Head:** Select size depending on GPM and number of hose valves required. When the pipe between the hose valve head and connection to the pump discharge pipe is over 15 feet in length, the next larger pipe size must be used (NFPA Pamphlet #20 paragraph 2-14.3.4).
10. **Angle Type Hose Valves with Caps and Chains:**  
Select hose valve thread as required by local authority.  
The factory has threading details on the following standards:  
A. National Standard Threads  
**(The following require price adder for special threading)**  
B. Chicago Fire Department Standard Hose Threads  
C. Toledo Standard Thread  
D. New York Corporation Standard Thread  
E. Detroit Fire Department Thread  
F. Cleveland Standard Thread  
G. Akron Standard Thread  
H. Cincinnati Old Standard Thread  
I. Iron Pipe Standard

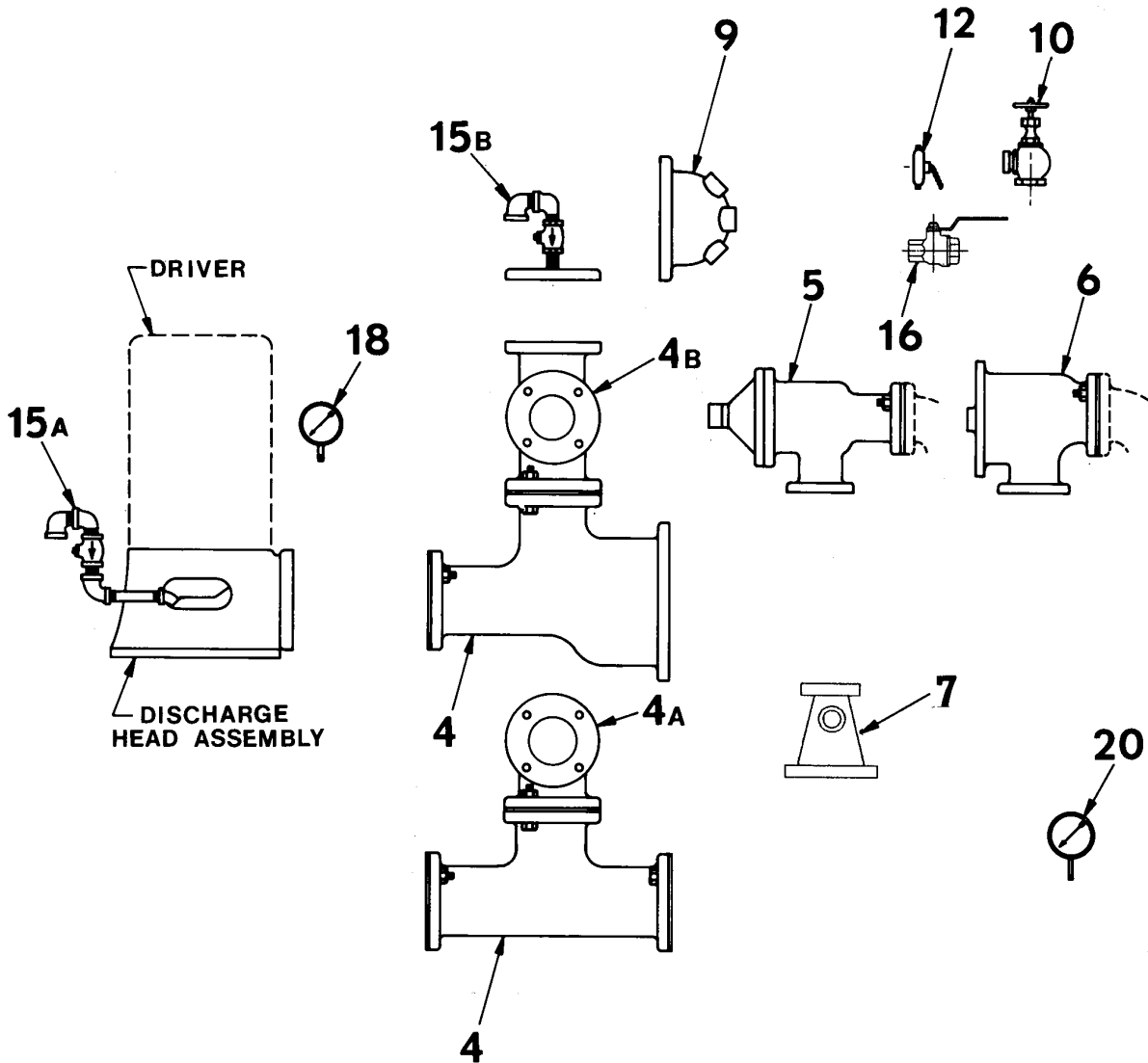
If any other than above threading is required, full threading details (sketch, drawing or template) (drawing preferred) must be furnished.

- 15A. & 15B **Automatic Air Release Valve:** This is a 1-1/2 or larger swing check valve mounted in the inverted position to vent air when the pump is started and to eliminate a vacuum condition when the pump is stopped. Select components 15A for motor driven units and 15B for engine driven units.
16. **Drain Valve:** Required on outside hose valve head (Item 9) when branch line is subject to freezing. Formerly was Ball Drip Valve.
18. **Discharge Gauge:** Required by NFPA Pamphlet 20. Discharge Gauge range is 0-300 PSI on 175 PSI MWP fittings and 0-600 PSI on 300 PSI MWP fittings. Gauges are 3.5 Inches In diameter and are furnished with gauge cocks and necessary pipe fittings to connect to pump flanges.
18. **Water Level Testing Device:** Required on all well installations, may be used for sump installations. This device consists of an altitude gauge, hand pump, fittings and up to 50 feet of copper tubing.

Subject to change without notice.



**FIRE PUMP FITTINGS**  
**ORDERING INFORMATION**  
*-continued-*



ITEM NO. DESCRIPTION	
4	Commercial Discharge Tee*
4A	Relief Valve Elbow
4B	Relief Valve Tee
5	Direct Acting Relief Valve
6	Pilot Operated Relief Valve
7	Overflow Cone *
9	Hose Valve Head *
10	Angle Hose Valve
12	Hose Valve Cap & Chain
15A	Automatic Air Release Valve Motor Driven
15B	Automatic Air Release Valve Engine Driven
16	Drain Valve
18	Discharge Gauge
20	Water Level Testing Device

\* At Peerless Pump Company's option, these items may be furnished of fabricated steel.

*Subject to change without notice.*



### Typical Specifications

**GENERAL:** The pumps furnished for fire protection service shall be supplied with the specified drivers, controls and pump accessory items by the pump manufacturer. The pump, driver and control shall be

- Underwriters Laboratories (UL) Listed
- Factory Mutual Research Corporation (FM) Approved
- Underwriters Laboratories-Canada (ULC) Listed for fire protection service. The pumping equipment shall be installed as recommended in the National Fire Protection Association (NFPA) Pamphlet 20, Standard for the Installation of Centrifugal Fire Pumps. The fire pump shall be designed to deliver \_\_\_\_\_ U.S. gallons per minute (gpm) at a total differential pressure of \_\_\_\_\_ psi. The fire pump shall also be capable of delivering not less than 150% of rated flow at not less than 65% rated head. Peerless Pump model \_\_\_\_\_ shall be furnished with driver, controllers and accessories as detailed in this specification. Pump manufacturer shall have unit responsibility for the proper operation of the complete unit assembly as indicated by field acceptance tests.

**MANUFACTURER'S FACTORY TESTS:** Each individual pump shall be run tested prior to shipment. Vertical turbine bowl and discharge head assemblies shall be hydrostatically tested at a pressure not less than one and one-half times the no flow (shut off) head of the pump's maximum diameter impeller but in no case less than 250 psig.

**FIELD ACCEPTANCE TEST:** A field acceptance performance test shall be conducted upon completion of pump installation. The test shall be made by flowing water through calibrated nozzles, approved flow meters or other such accurate devices as may be selected by the authority having jurisdiction. The test shall be conducted as recommended in NFPA Pamphlet 20 by:

- the installing contractor
- the owner
- the owner's representative
- (other) \_\_\_\_\_

in the presence of the authority having jurisdiction and with that authority's final approval and acceptance. Failure to submit documentation of factory and field tests will be just cause for equipment rejection.

**VERTICAL TURBINE PUMPS:** The fire pump shall be a Peerless Pump model \_\_\_\_\_ vertical shaft turbine pump. The pump shall be specifically labeled for fire service (underground fire main) system. The water supply for the fire pump shall be from

- a water well of style, dimension and water productivity as recommended in NFPA 20.
- a sump or equivalent intake structure of style, dimension and water capacity as recommended in NFPA Pamphlet 20.

The total installed length of the pump from bottom of baseplate to bottom of suction inlet manifold shall be \_\_\_\_\_ feet. The pump discharge head assembly shall be cast iron and fitted with a \_\_\_\_\_ inch discharge connection machined to American National Standards Institute (ANSI)

- 125 pound rating dimensions
- 250 pound rating dimensions

The pump discharge head shall provide rigid mounting support for the complete pump assembly and for the

- vertical hollow shaft motor (*electric motor driven pumps*)
  - right angle gear drive (*diesel engine driven pumps*)
- The pump line shaft bearings shall be

- water lubricated by the liquid being pumped (*for static water levels up to 50 feet*)
- oil lubricated with bronze bearings contained in enclosing tubing (*for static water levels 51 feet and greater*)

Pump column pipe (and oil tube when applicable) shall be in sections not longer than 10 feet each. Pump bowl assemblies shall include cast iron enameled bowls, cast bronze impellers and bowl lateral seal rings. Pump bowl assemblies shall be submerged as recommended in NFPA Pamphlet 20. Each pump shall be installed with a cast or fabricated nonferrous metal strainer having a free area of not less than four times the suction inlet area. Strainer openings shall be sized to restrict the passage of objects one-half inch sphere size.

**ELECTRIC MOTORS:** The pump driver shall be a vertical hollow shaft induction motor rated \_\_\_\_\_ horsepower, 3 phase, 60 Hertz with weather protected type 1 NEMA enclosure for operation on \_\_\_\_\_ volt service.

The motor locked rotor current shall not exceed the values stated in NFPA Pamphlet 20, The motor shall be constructed so that the total hydraulic and static thrust of the pump's rotating assembly can be carried by the motor thrust bearing(s). The motor shall mount directly on the pump discharge head assembly with a registered fit for correct shaft alignment. The motor shall be equipped with a top drive coupling and nut for axial adjustment of the pump impellers and shall have a non-reverse ratchet to prevent pump back-spin.

**ELECTRIC MOTOR CONTROLLERS:** The automatic electric motor controller shall be (UL listed)(FM approved)(ULC listed) specifically for fire pump service. The controller shall be designed for

- full voltage
- part winding
- primary resistance reduced voltage
- wye-delta open transition
- wye-delta closed transition
- auto-transformer
- solid state (soft start)

type starting. The controller shall be rated for the horsepower specified in this specification's electric motors section. The controller shall be capable of interrupting a short circuit current at least equal to the available short circuit current in the controller supply circuit. This fire pump controller installation requires an withstand rating of not less than \_\_\_\_\_ amps RMS symmetrical at an operating voltage of \_\_\_\_\_ volts.

The controller shall be:

- floor or wall mounted for electrical connection to the motor by the equipment installer.
- mounted on a common base with the fire pump and wired to the motor by the pump manufacturer.

**FITTINGS:** The pump manufacturer shall furnish piping accessory items for the pump installation which will adapt the pump connections to the fire protection system and test connection as follows. Fittings subjected to pump discharge pressure shall be ANSI (125)(250) pound rating. Fittings subjected to suction pressure shall be ANSI 125 pound rating.

- eccentric tapered suction reducer
- concentric tapered discharge increaser
- hose valve test header
- hose valves with caps and chains
- automatic air release valve
- hose valve head drain valve
- suction and discharge pressure gauges

*Additional accessories required when pump is engine or steam turbine driven:*

- main relief valve:
  - direct acting (spring actuated)
  - pilot operated (hydraulically actuated)
  - relief valve overflow cone, enclosed type

**GEAR DRIVES:** Engine driven vertical turbine pumps shall be furnished with a vertical hollow shaft right angle gear. The drive shall be direct connected to the pump shaft and be equipped with a non-reverse ratchet. The drive shall be connected to the engine by an approved flexible universal joint type drive shaft with an enclosing guard as recommended in NFPA Pamphlet 20. The driver shall have provision for adjusting the pump impeller lateral setting for proper pump operation and performance.

**DIESEL ENGINES:** The pump driver shall be a horizontal shaft type internal combustion engine model \_\_\_\_\_ manufactured by: \_\_\_\_\_ rated at \_\_\_\_\_ rpm, clockwise rotation viewed from the end opposite the pump. The engine shall be provided by the pump manufacturer with, at a minimum, the following accessories for automatic operation.

- Peerless Pump Model 4000 Mantrol UL listed emergency manual operator, factory wired and mounted on the engine junction box for standby engine starting and operation in case of main controller or interconnecting wiring malfunction.
- cooling waterlines, pressure regulator, strainer, bypass lines and necessary fittings for engine cooling system, pre-piped and factory mounted.
- flexible exhaust connector
- residential exhaust silencer
- engine jacket water heater, factory installed.
- one set dual batteries, lead acid storage type.
- fuel system as recommended in NFPA Pamphlet 20
- fuel storage tank sized to provide a minimum supply of one gallon of fuel per engine maximum rated horsepower plus 5% for sump area plus 5% for expansion area. The tank shall be furnished (with)(without) legs for floor mounting and with a direct reading level gauge. The fuel tank shall (single wall)(dual wall) UL listed; single wall non-listed

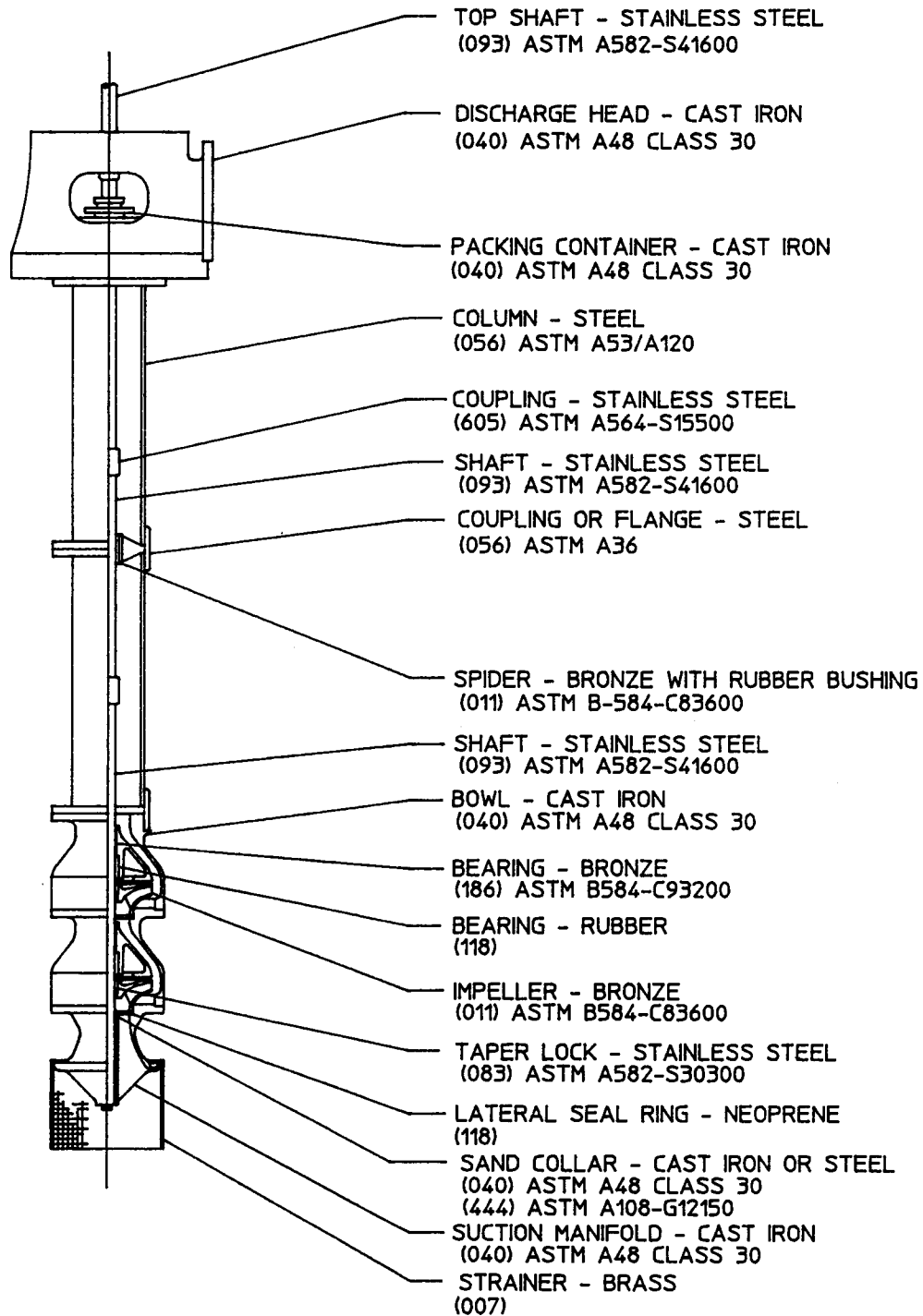
**ENGINE CONTROLLERS:** The automatic engine controller shall be (UL listed)(FM approved) specifically for fire pump service. The controller must be capable of performing or contain the following features:

- built in battery charger
- time clock for weekly automatic test
- system pressure recorder
- timing relay for automatic stop
- power failure start
- low fuel level switch
- pump room alarm audible and visual signals
- The controller shall be wired to the corresponding engine function terminals and shall be mounted on a common base with the engine and pump. A complete running test of the base mounted controller, engine and pump shall be performed by the pump manufacturer prior to shipment.
- The engine controller shall be floor mounted for electrical connection to the engine by the equipment installer.

*Subject to change without notice*



**Standard Materials of Construction**  
**OLS (Open Line Shaft)**



*Subject to change without notice*

**DWG NO.4852668-A**