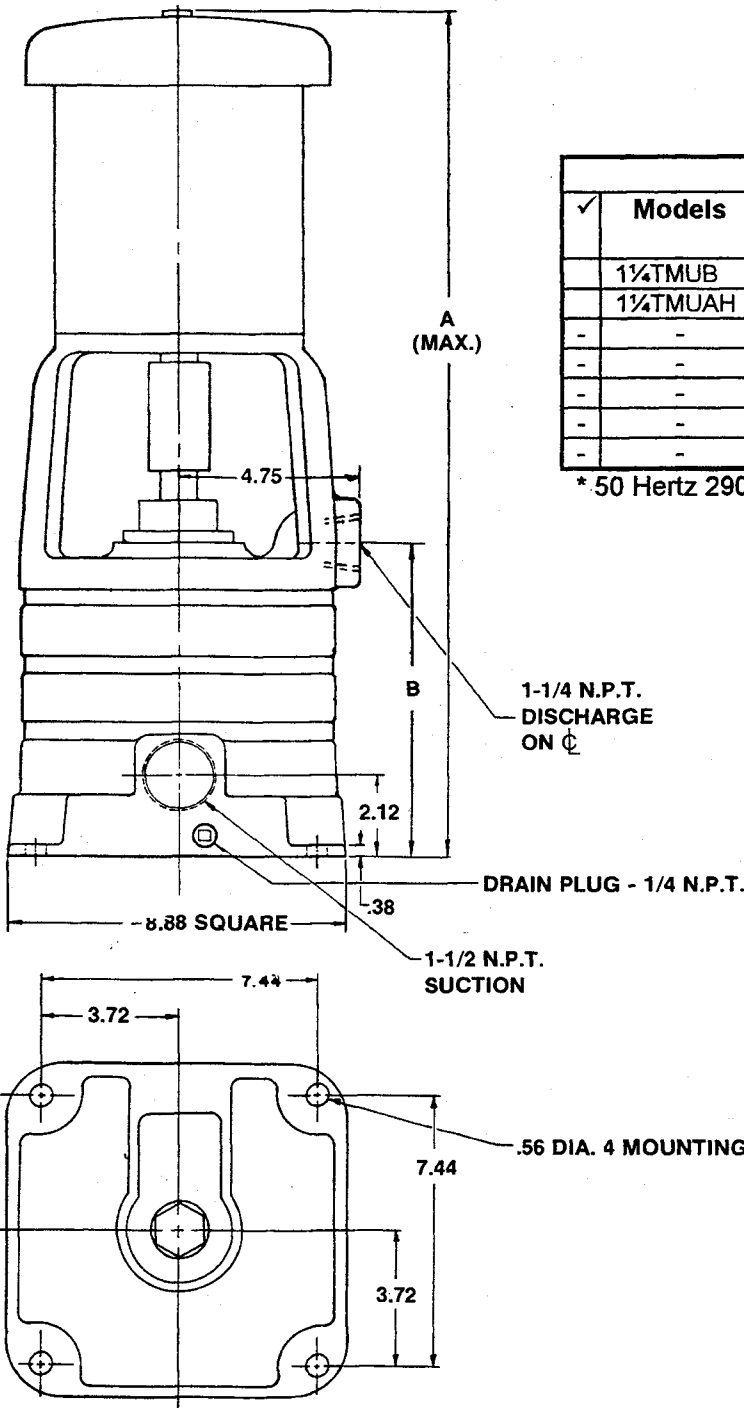


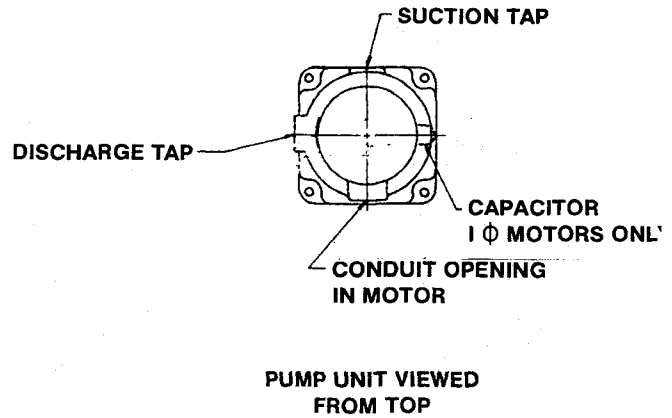


Types J, TMUB, TMAUH



Unit Dimensions in Inches							
✓	Models	✓	Models	✓	No. of Stages	A	B
	1 1/4 TMUB		J65E, J65F		2	30.50	8.66
	1 1/4 TMAUH		J85E, J85F		3	32.44	10.59
-	-		J100G, J100H		4	34.38	12.52
-	-		J125G, J125H		5	38.00	14.44
-	-	-	-		6	39.94	16.37
-	-	-	-		7*	41.88	18.30
-	-	-	-		8*	43.81	20.22

* 50 Hertz 2900 rpm only



CUSTOMER _____ JOB NAME _____
 P.O. NO. _____ ITEM NO. _____
 S.O. NO. _____ SERIAL NO. _____
 MOTOR MFR. _____ ENCL. _____ FRAME _____ H.P. _____ VOLTS _____ PH. _____ HZ. _____
 PUMP TYPE & SIZE _____ RPM _____ G.P.M. _____ TOTAL HD. FT. _____
 CERTIFIED FOR APPROVAL CONSTRUCTION BY _____ DATE _____

Subject to change unless certified for construction.