

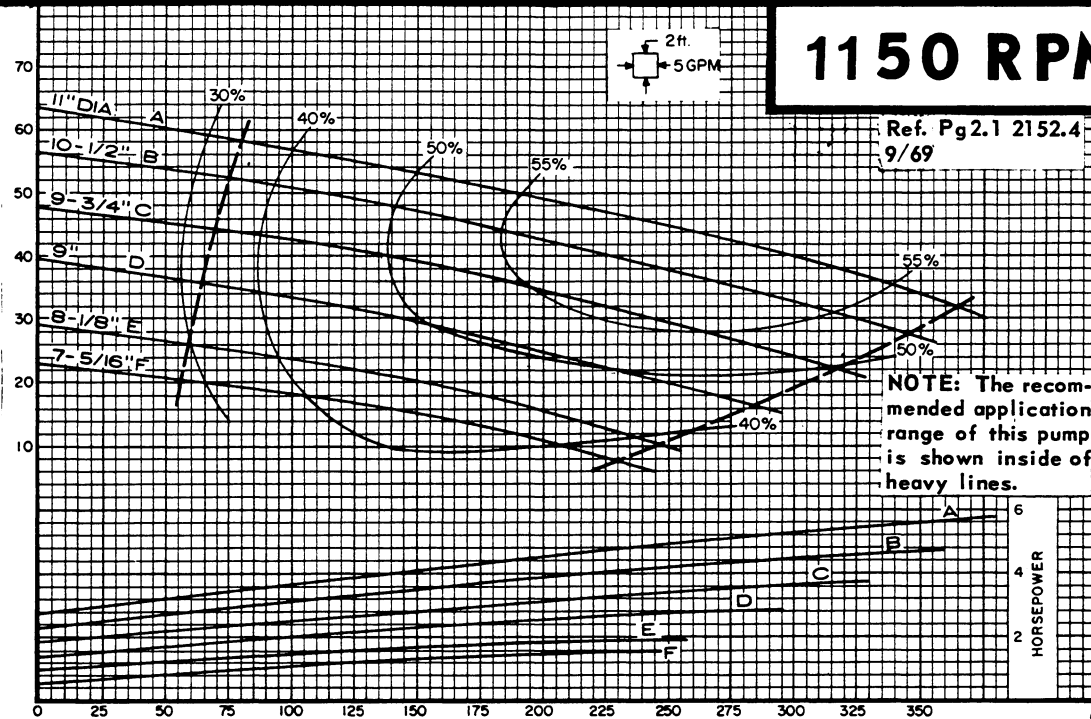


Peerless Pump Company
Indianapolis, IN 46207-7026

SUBMERSIBLE SEWAGE PUMPS
Type UWLLB3, UWLLBC4

SECTION 6440

TOTAL HEAD - FEET



1150 RPM

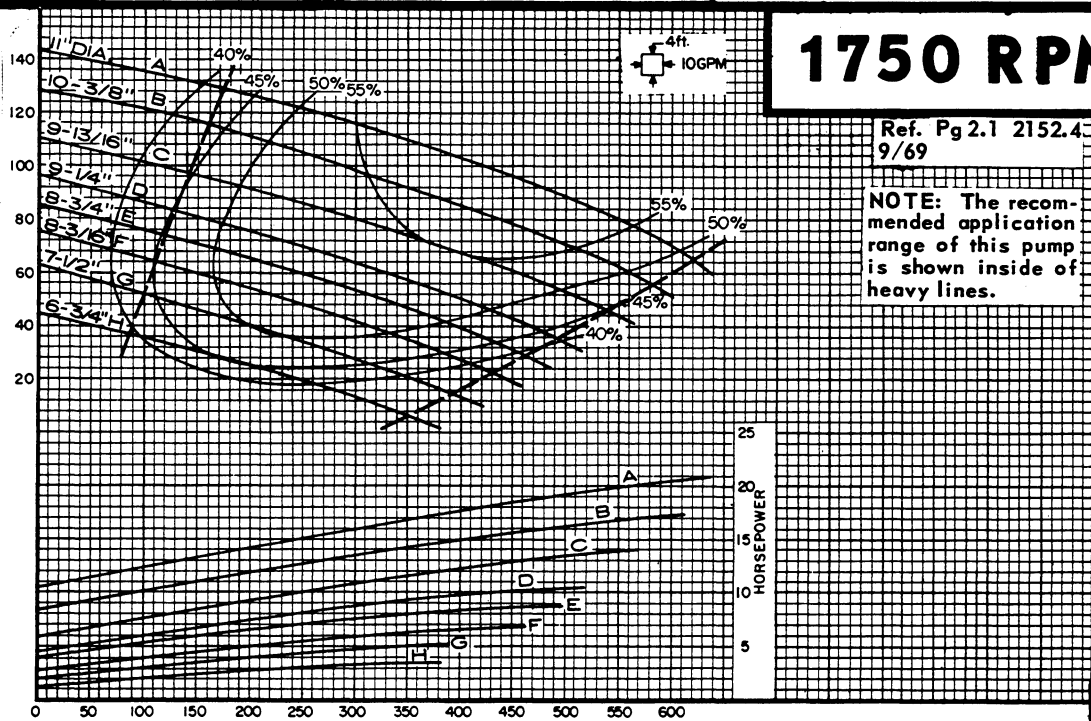
Impeller

P21268 140TY FRAME
P21269 180TY "
P21269 2 210TY "

U.S. GALLONS PER MINUTE

Curve 4847007

TOTAL HEAD - FEET



1750 RPM

Impeller

P21268 140TY FRAME
P21269 180TY "
P21269 2 210TY "

U.S. GALLONS PER MINUTE

Curve 4847008