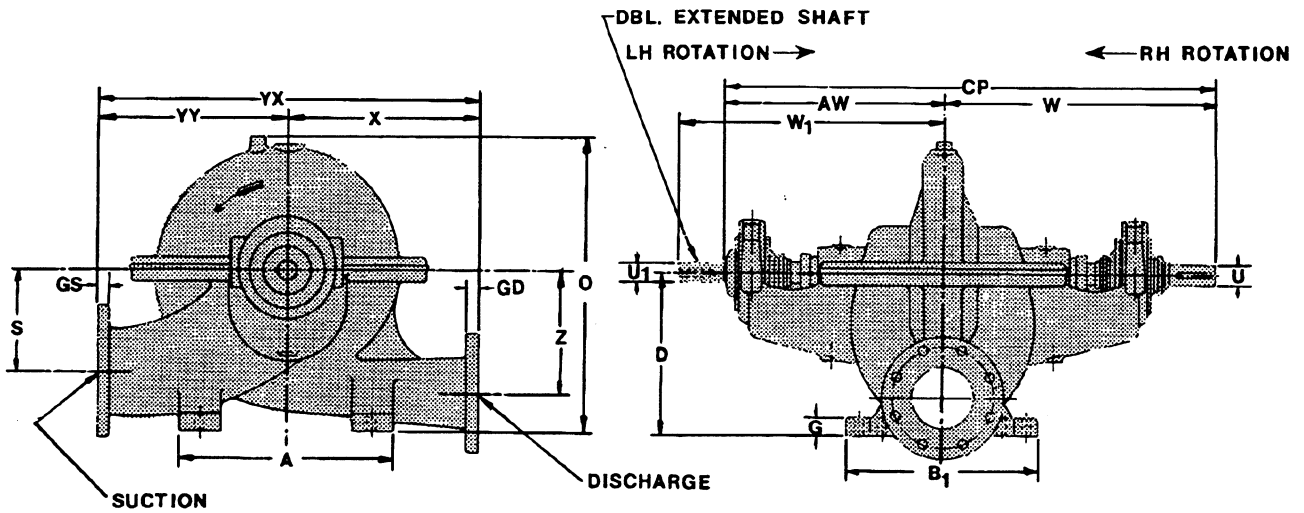
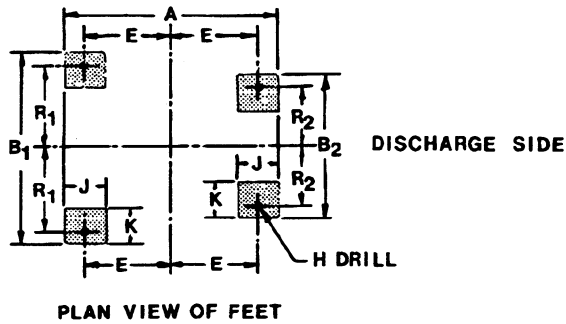


HORIZONTAL SPLIT CASE PUMPS SINGLE STAGE DOUBLE SUCTION Type A

Horizontal Suction Pump Dimensional Outline





HORIZONTAL SPLIT CASE PUMPS
SINGLE STAGE DOUBLE SUCTION
Type A

✓	Pump Size & Type	Suction Flange Size x ANSI Lb. Rating	Discharge Flange Size x ANSI Lb. Rating	Pump Dimensions in Inches													
				A	AW	B ₁	B ₂	CP	D	E	G	GD	GS	H	J	K	O
	10A22B	12 x 125	10 x 125	32.00	27.12	24.00	19.00	60.12	21.50	13.00	2.00	1.19	1.25	1.00	6.00	4.00	37.62
	12A16B	14 x 125	12 x 125	28.00	26.88	32.00	22.00	58.88	21.25	11.50	2.00	1.25	1.38	1.25	5.00	4.00	33.88
	12A16C	14 x 125	12 x 125	28.00	26.88	32.00	22.00	58.88	21.25	11.50	2.00	1.25	1.38	1.25	5.00	4.00	34.38
	12AX19B	14 x 125	12 x 125	32.00	30.12	32.00	24.00	66.12	21.00	13.00	2.00	1.25	1.38	1.25	6.00	4.00	35.62
	12A20B	14 x 125	12 x 125	32.00	29.88	32.00	24.00	65.88	24.00	13.00	2.00	1.38	1.50	1.25	6.00	4.00	39.12
	12A22B	14 x 125	12 x 125	36.00	28.75	30.00	24.00	63.50	24.00	15.00	2.00	1.25	1.38	1.25	6.00	4.00	40.75
	14A20B	16 x 125	14 x 125	32.00	29.88	34.00	26.00	65.88	25.00	13.00	2.50	1.38	1.44	1.38	6.00	5.00	40.38
	14A22B	18 x 125	14 x 125	35.00	31.62	37.00	31.00	69.12	28.00	14.50	2.50	1.50	1.75	1.38	6.00	5.00	44.50
	14A24B	16 x 125	14 x 125	40.00	30.62	30.00	26.00	67.62	26.00	17.00	2.50	1.38	1.44	1.38	6.00	5.00	44.50
	16A18B	18 x 125	16 x 125	36.00	27.75	30.00	24.00	61.50	26.00	14.00	2.50	1.44	1.56	1.25	6.00	4.00	40.75
	16A20B	18 x 125	16 x 125	36.00	34.38	36.00	30.00	75.00	28.00	14.50	3.00	1.44	1.56	1.25	6.00	4.50	43.62
	18A22B	20 x 125	18 x 125	44.00	33.88	38.00	30.00	73.62	30.00	18.00	5.25	1.56	1.69	1.38	8.00	4.00	47.50
	20AX25B	24 x 125	20 x 125	44.00	37.00	44.00	32.00	80.00	34.00	18.00	5.00	1.69	1.88	1.38	8.00	4.00	54.00
	20A28	24 x 125	20 x 125	44.00	37.00	46.00	32.00	80.00	35.00	18.00	5.00	1.69	1.88	1.38	8.00	4.00	58.50
	24A28B	30 x 125	24 x 125	48.00	40.75	52.00	36.00	89.75	41.00	19.00	6.00	2.00	2.25	1.38	10.0	5.00	63.75

✓	Pump Size & Type	Pump Dimensions in Inches												Wt. Lb.	
		R ₁	R ₂	S	U	U ₁	W	W ₁	X	YY	YX	Z	Single Extension Keyway		Double Extension Keyway
	10A22B	10.50	8.00	13.00	2.75	2.62	33.00	33.50	28.00	25.00	53.00	15.00	.62 x .31 x 4.75	.62 x .31 x 4.75	2130
	12A16B	14.50	9.50	12.00	2.25	-	32.00	-	19.00	26.00	45.00	13.50	.50 x .25 x 4.00	-	2128
	12A16C	14.50	9.50	12.00	2.25	-	32.00	-	19.00	26.00	45.00	13.50	.50 x .25 x 4.00	-	2205
	12AX19B	14.50	10.50	12.00	3.00	-	36.00	-	28.00	24.00	52.00	13.50	.75 x .38 x 4.75	-	3000
	12A20B	14.50	10.50	14.50	2.75	2.64	36.00	36.50	22.00	27.00	49.00	15.50	.62 x .31 x 4.75	.62 x .31 x 4.75	2754
	12A22B	13.50	10.50	14.00	2.75	-	34.75	-	30.00	28.00	58.00	16.00	.62 x .31 x 4.75	-	2900
	14A20B	15.00	11.00	15.00	2.75	2.64	36.00	36.50	22.00	29.00	51.00	16.00	.62 x .31 x 4.75	.62 x .31 x 4.75	3385
	14A22B	16.50	13.50	16.00	3.00	-	37.50	-	24.00	28.00	52.00	17.00	.75 x .38 x 4.00	-	3510
	14A24B	13.00	11.00	16.00	3.00	-	37.00	-	36.00	30.00	66.00	17.00	.75 x .38 x 4.00	-	3900
	16A18B	13.75	10.75	15.00	2.75	-	33.75	-	23.00	26.00	49.00	15.00	.62 x .31 x 4.75	-	2470
	16A20B	16.50	13.50	16.00	3.62	-	40.62	-	24.00	30.00	54.00	16.00	.88 x .44 x 6.00	-	3680
	18A22B	17.25	13.25	18.00	2.75	-	39.75	-	30.00	33.00	63.00	18.00	.62 x .31 x 4.75	-	4670
	20AX25B	20.25	14.25	20.50	3.75	3.75	43.00	44.50	30.00	34.00	64.00	20.50	1.0 x .31 x 5.75	-	6020
	20A28	21.25	14.25	20.50	3.75	3.75	43.00	44.50	32.00	40.00	72.00	22.50	1.0 x .31 x 6.00	1.0 x .31 x 6.00	8240
	24A28B	24.25	16.25	24.00	3.50	-	49.00	-	36.00	42.00	78.00	24.00	.88 x .28 x 6.50	-	8900

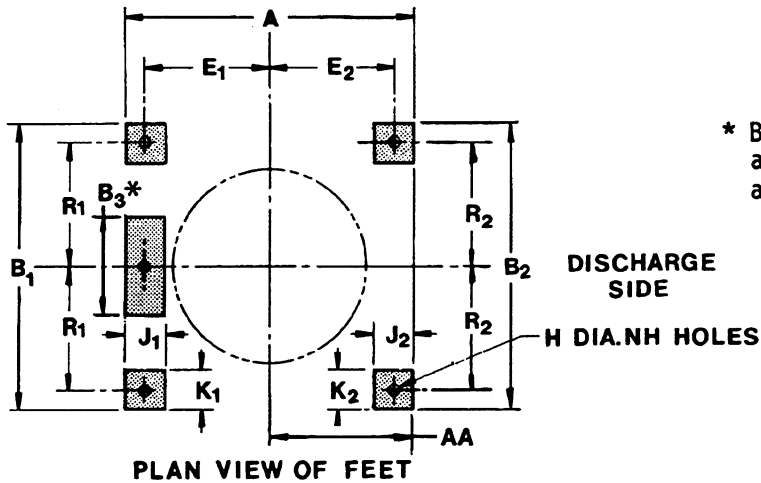
Customer _____ Job Name _____
P.O. No. _____ Item No. _____
Invoice No. _____ Serial No _____
Motor Mfr. _____ Enclosure _____ Frame _____ Hp _____ Volts _____ Ph _____ Hz _____
Pump Size & Type, Style _____ RPM _____ GPM _____ Total Hd in Ft _____

Certified for Approval Construction By _____ Date _____

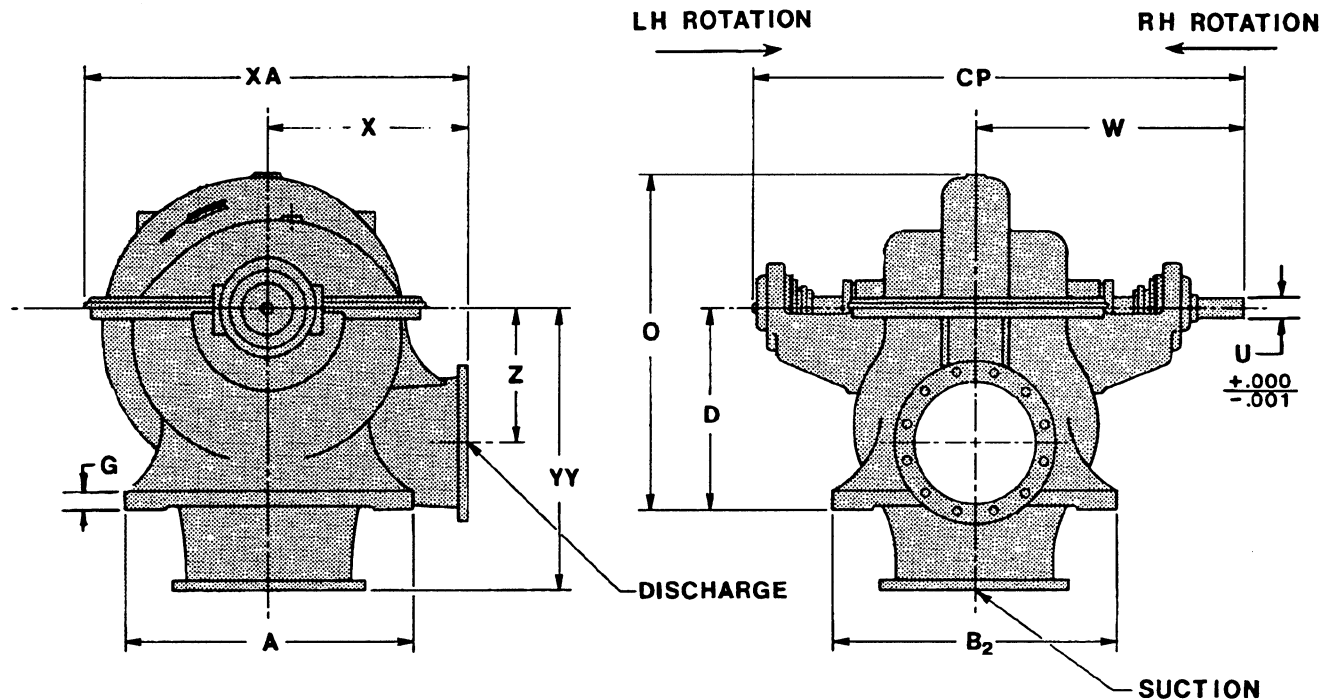
Subject to change unless certified for construction

HORIZONTAL SPLIT CASE PUMPS
SINGLE STAGE DOUBLE SUCTION
 Type A

Bottom Suction Pump Dimensional Outline



* B₃ shows center foot 10A20B, 12A20B and 18A22B only. K₁ individual feet are not furnished on these pumps.





HORIZONTAL SPLIT CASE PUMPS SINGLE STAGE DOUBLE SUCTION Type A

✓	Pump Size & Type	Suction Flange Size x ANSI Lb. Rating	Discharge Flange Size x ANSI Lb. Rating	Pump Dimensions in Inches													
				A	AA	B ₁	B ₂	B ₃	CP	D	E ₁	E ₂	G	H	NH	J ₁	J ₂
	10A20B	12 x 125	10 x 125	34.50	17.25	-	23.25	8.00	54.38	20.00	15.25	14.75	2.50	1.25	3	4.00	5.00
	12A20B	14 x 125	12 x 125	32.00	12.00	-	42.00	12.00	65.88	24.00	18.00	8.00	2.50	1.38	3	5.00	8.00
	14A22B	18 x 125	14 x 125	39.00	19.50	36.00	36.00	-	69.00	26.00	15.00	15.00	3.00	1.38	4	6.00	6.00
	16A18B	18 x 125	16 x 125	39.00	19.50	36.00	36.00	-	69.12	26.00	15.00	15.00	4.50	1.38	4	6.00	6.00
	18A22B	20 x 125	18 x 125	42.00	14.00	-	52.00	14.00	73.50	24.00	19.00	6.00	5.00	1.38	4	4.00	16.00
	24A28B	30 x 125	24 x 125	48.00	24.00	58.00	58.00	-	89.50	37.00	19.00	19.00	3.00	1.38	4	9.00	9.00

✓	Pump Size & Type	Pump Dimensions in Inches											Weight Lb.	
		K ₁	K ₂	R ₁	R ₂	O	U Dia.	W	X	XA	YY	Z		Single Extension Keyway
	10A20B	-	4.00	-	9.75	34.50	2.25	29.75	27.50	45.88	26.00	14.50	.50 x .25 x 4.00	2100
	12A20B	-	5.00	-	19.00	39.12	2.75	36.00	22.00	42.75	36.00	15.50	.62 x .31 x 4.75	2660
	14A22B	6.00	6.00	16.25	16.25	42.50	3.00	37.50	24.00	47.25	34.50	17.00	.75 x .38 x 4.00	3710
	16A18B	6.00	6.00	16.25	16.25	40.75	2.75	37.50	24.00	45.00	34.50	15.00	.62 x .31 x 4.75	3410
	18A22B	-	4.00	4.50	24.00	41.50	2.75	39.75	30.00	54.75	42.00	18.00	.62 x .31 x 4.75	4970
	24A28B	6.00	6.00	27.00	27.00	59.75	3.50	49.00	36.00	56.62	54.00	24.00	.88 x .25 x 6.50	9400

Customer _____ Job Name _____

P.O. No. _____ Item No. _____

Invoice No. _____ Serial No. _____

Motor Mfr. _____ Enclosure _____ Frame _____ Hp _____ Volts _____ Ph _____ Hz _____

Pump Size & Type, Style _____ RPM _____ GPM _____ Total Hd in Ft _____

Certified for Approval Construction By _____ Date _____

Subject to change unless certified for construction