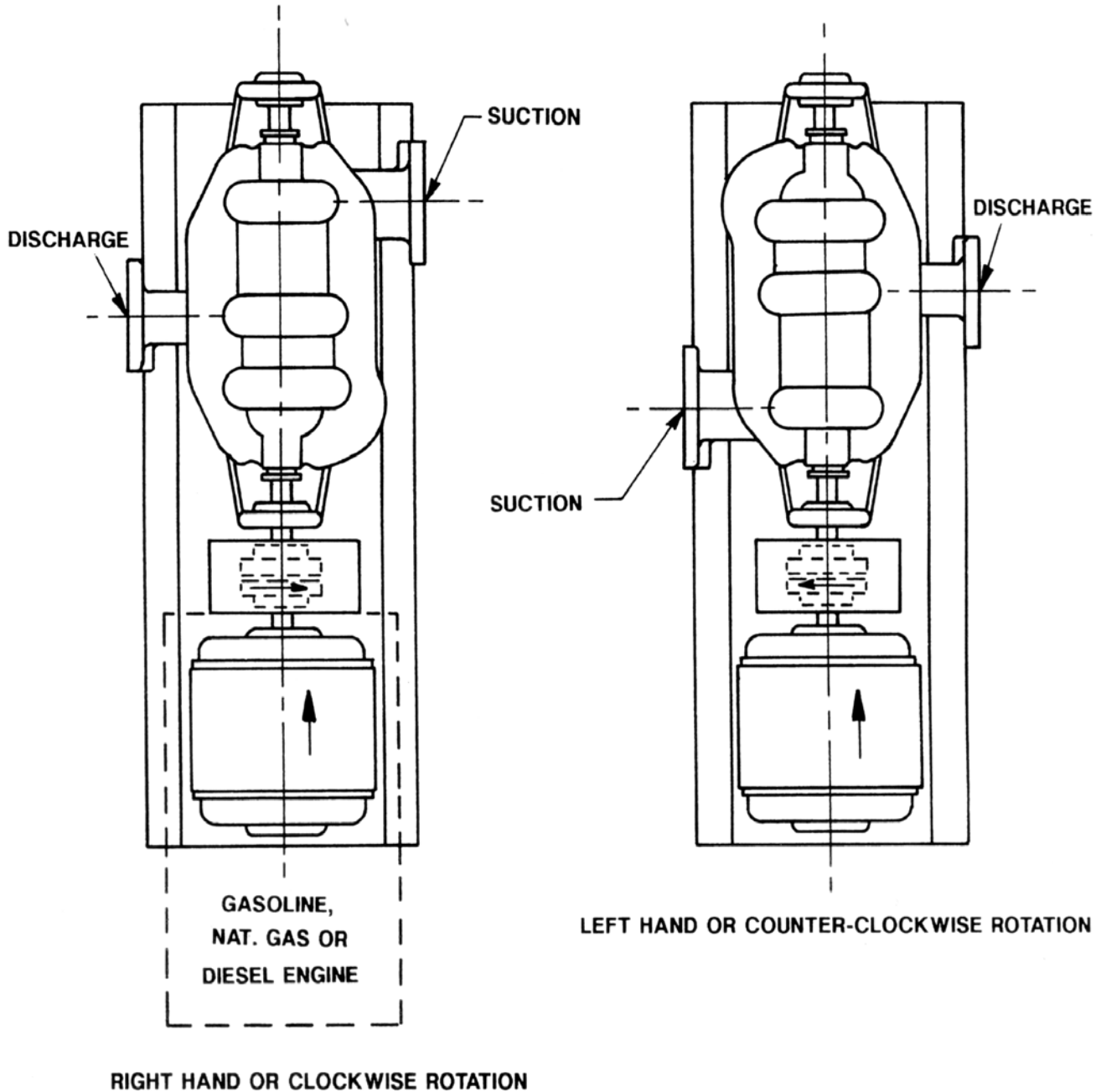




**DIRECTION OF ROTATION**

The rotation of a horizontal split case pump is determined by viewing the pump from the driver end in the direction of the arrow. The rotation fixes the position of the suction and discharge flanges.

For pumps having dual drive such as engine and electric motor, the rotation is specified from the engine end of the unit.

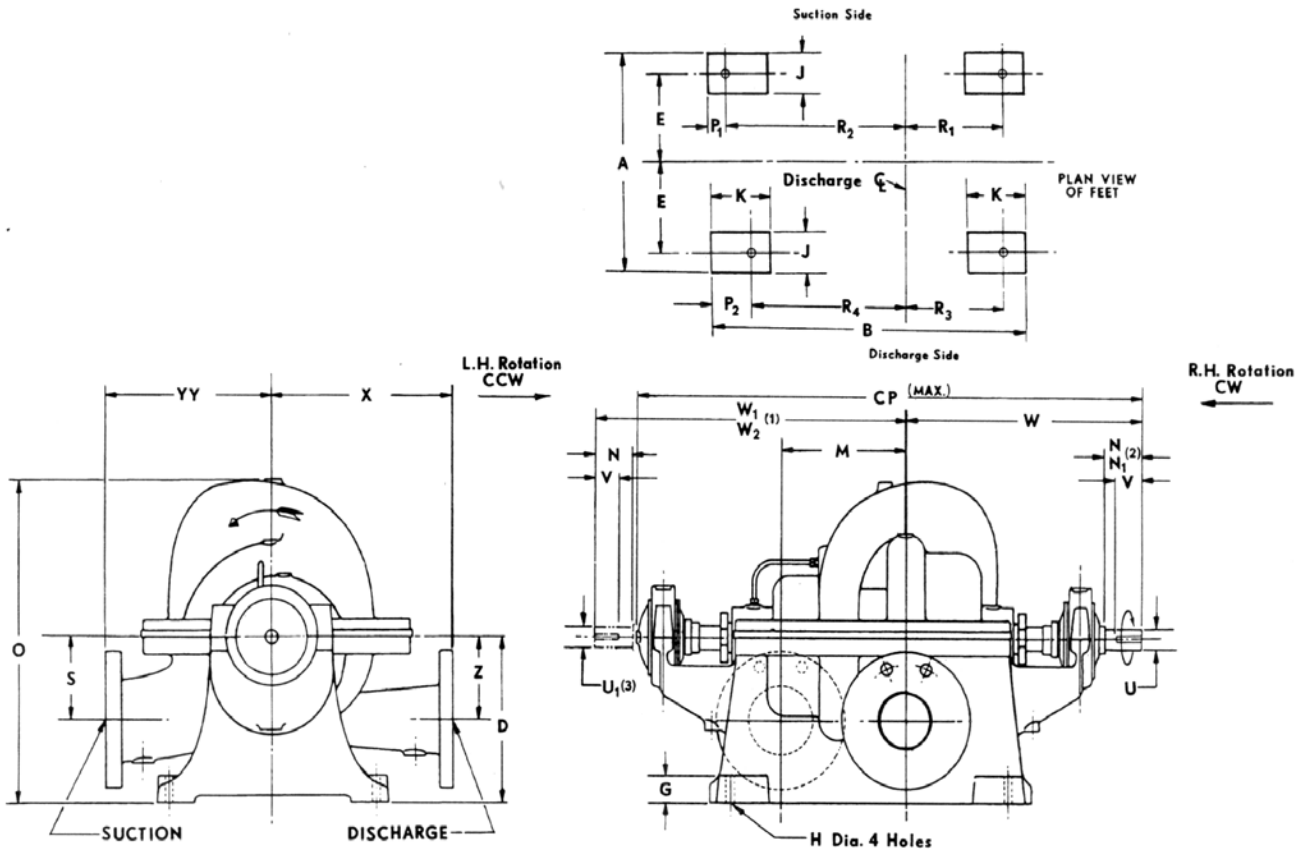


**HORIZONTAL SPLIT CASE PUMPS  
 MULTISTAGE SINGLE SUCTION  
 Type TU 2 Stage**



Peerless Pump Company  
 Indianapolis, IN 46207-7026

**BARE PUMP DIMENSIONS**



**Notes:**

- (1) Use  $W_1$  dimension for L.H. (CCW) rotation single extended shaft pumps only. Use  $W_2$  dimension for R.H. (CW) rotation double extended shaft pumps only. Refer to the factory for  $W$  dimension for L.H. (CCW) rotation double extended shaft pumps.
- (2) Use  $N$  dimension for grease lubricated pumps, use  $N_1$  dimension for oil lubricated pumps only.
- (3) Use  $U$  dimension for R.H. (CW) or L.H. (CCW) single extended shaft pumps. Refer to the factory for  $U_1$  dimension for L.H. (CCW) rotation double extended shaft pumps. Rotation on R.H. (CW) or L.H. (CCW) double extended shaft pumps is determined from the U shaft diameter end of pump.

*Subject to change without notice*



**HORIZONTAL SPLIT CASE PUMPS  
MULTISTAGE SINGLE SUCTION  
Type TU 2 Stage**

**BARE PUMP DIMENSIONS**

Pump Size	Discharge Flange Size x 250 LB. ANSI		Suction Flange Size x 125 LB. ANSI		A	B	CP	D	E	G	H	J	K	M	N	N <sub>1</sub>	O
	1½TU7	1½	2½	13.00	17.62	35.81	8.00	5.62	1.75	.75	2.50	3.25	7.00	3.75	3.00	14.75	
2TU8	2	3	14.00	20.00	38.62	9.00	6.12	2.00	.75	2.50	3.25	8.75	3.88	3.12	17.00		
2TU10	2	3	14.00	20.75	39.38	10.00	6.12	2.00	.75	3.00	3.25	9.25	3.88	3.12	19.50		
2TU12	2	3	14.00	20.75	39.38	10.00	6.12	2.00	.75	3.00	3.25	9.25	3.88	3.12	20.50		
3TU10	3	4	14.00	20.75	39.38	10.00	6.12	2.00	.75	3.00	3.25	9.25	3.88	3.12	19.75		
3TU13	3	4	16.00	21.00	41.25	11.00	7.12	2.00	.75	3.00	3.25	9.75	4.25	3.62	23.38		
3TU13½	3	4	16.00	21.00	41.25	11.00	7.12	2.00	.75	3.00	3.25	9.75	4.25	3.62	23.38		
4TU10	4	5	18.00	25.00	41.25	12.00	8.00	2.00	.88	3.00	4.62	9.75	4.25	3.62	23.00		

Pump Size	P <sub>1</sub>	P <sub>2</sub>	R <sub>1</sub>	R <sub>2</sub>	R <sub>3</sub>	R <sub>4</sub>	S	U		U <sub>1</sub>		V	W	W <sub>1</sub>	W <sub>2</sub>	X	YY	Z
	Dia.	Keyway	Dia.	Keyway														
1½TU7	.88	2.38	5.94	9.94	5.94	8.44	3.75	1.125 1.124	.250 x .125	1.062 1.061	.250 x .125	2.50	17.25	21.25	21.25	8.00	8.00	3.88
2TU8	.88	2.38	5.12	11.62	6.62	10.12	4.50	1.375 1.374	.312 x .156	1.250 1.249	.312 x .156	2.50	18.25	23.25	23.62	10.00	9.50	4.50
2TU10	.88	2.38	6.88	12.12	6.88	10.62	4.00	1.375 1.374	.312 x .156	1.250 1.249	.312 x .156	2.50	18.50	23.75	24.38	9.50	9.50	5.75
2TU12	.88	2.38	6.88	12.12	6.88	10.62	4.25	1.375 1.374	.312 x .156	1.250 1.249	.312 x .156	2.50	18.50	23.75	24.38	10.00	10.50	7.00
3TU10	.88	2.38	6.88	12.12	6.88	10.62	4.75	1.375 1.374	.312 x .156	1.250 1.249	.312 x .156	2.50	18.50	23.75	24.38	10.00	10.00	5.75
3TU13	.88	2.38	7.00	12.25	7.00	10.75	4.75	1.562 1.561	.50 x .25	1.438 1.437	.50 x .25	3.00	19.62	24.88	25.62	12.00	12.00	8.25
3TU13½	.88	2.38	7.00	12.25	7.00	10.75	4.75	1.562 1.561	.50 x .25	1.438 1.437	.50 x .25	3.00	19.62	24.88	25.62	12.00	12.00	8.25
4TU10	2.00	2.00	7.88	13.12	7.88	13.12	6.00	1.562 1.561	.50 x .25	1.438 1.437	.50 x .25	3.00	19.62	24.88	25.62	14.00	13.00	6.00

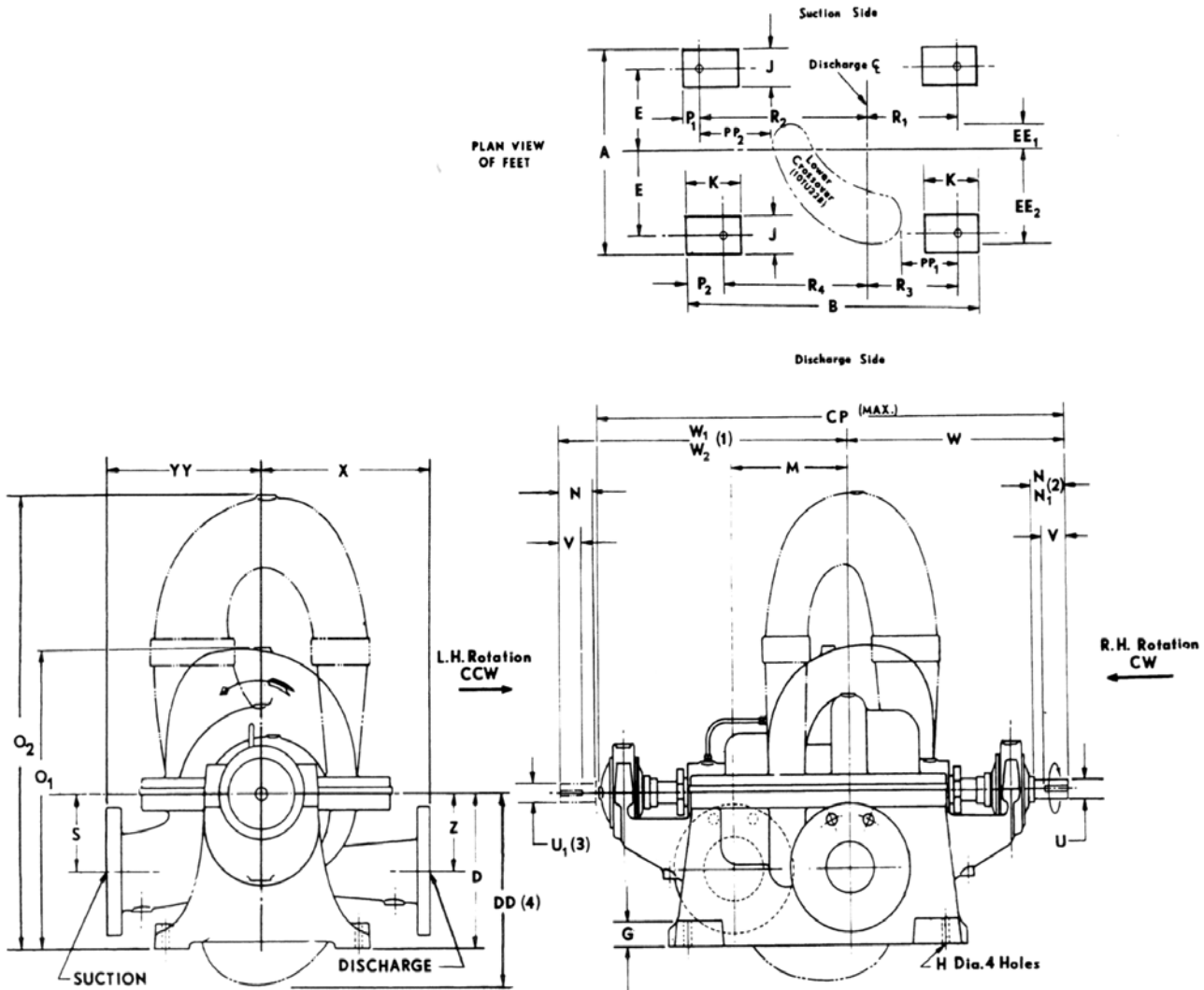
CUSTOMER \_\_\_\_\_ JOB NAME \_\_\_\_\_  
P.O. NO. \_\_\_\_\_ ITEM NO. \_\_\_\_\_  
S.O. NO. \_\_\_\_\_ SERIAL NO. \_\_\_\_\_  
MOTOR MFR. \_\_\_\_\_ ENCL. \_\_\_\_\_ FRAME \_\_\_\_\_ H.P. \_\_\_\_\_ VOLTS \_\_\_\_\_ PH. \_\_\_\_\_ HZ. \_\_\_\_\_  
PUMP TYPE & SIZE \_\_\_\_\_ RPM \_\_\_\_\_ G.P.M. \_\_\_\_\_ TOTAL HD. FT. \_\_\_\_\_  
CERTIFIED FOR  APPROVAL  CONSTRUCTION BY \_\_\_\_\_ DATE \_\_\_\_\_

Subject to change unless certified for construction

**HORIZONTAL SPLIT CASE PUMPS**  
**MULTISTAGE SINGLE SUCTION**  
**Type TU 2 Stage**



**Type TU 2 Stage 4TU14 Thru 10TU22C**



**Notes:**

- (1) Use  $W_1$  for L.H. rotation (CCW). Use  $W_2$  dimension for double extended shaft pumps only.
- (2) Use  $N$  dimension for grease lubricated ball bearing pumps. Use  $N_1$  dimension for oil lubricated ball bearing pumps only.
- (3) Use  $U_1$  dimension for double extended shaft pumps. For L.H. rotation (CCW) double extended shaft pumps refer to factory for dimensions. On double extended shaft pumps, rotation is determined from the U dia. end of pump.
- (4)  $DD$  dimension includes allowance for clearance of pipe elbow installed in lower crossover drain tap.



**HORIZONTAL SPLIT CASE PUMPS  
MULTISTAGE SINGLE SUCTION  
Type TU 2 Stage**

**BARE PUMP DIMENSIONS**

**Type TU 2 Stage  
4TU14 Thru 10TU22C**

Pump Size	Discharge Flange Size x 250 LB. ANSI	Suction Flange Size x 125 LB. ANSI	A	B	CP	D	E	G	H	J	K	M	N	N <sub>1</sub>	O <sub>1</sub>	O <sub>2</sub>	P <sub>1</sub>	P <sub>2</sub>
4TU14	4	5	18.00	24.25	45.38	12.00	8.12	2.00	.75	3.00	3.25	11.12	4.75	4.25	26.00	-	.88	2.38
5TU13	5	6	22.00	31.00	56.00	14.50	10.00	2.50	.88	3.00	5.00	12.81	6.00	5.00	-	41.25	2.00	2.75
5TU15	5	6	20.00	27.50	49.88	14.00	9.00	2.25	.88	3.00	4.00	12.81	4.75	4.25	-	42.50	1.00	2.75
6TU16	6	8	24.00	34.50	61.25	16.00	10.88	2.25	1.00	3.50	5.00	15.00	6.00	5.00	-	45.88	2.00	4.00
8TU16	8	10	28.00	39.00	71.00	18.00	12.50	3.25	1.25	4.00	6.00	16.50	6.50	5.12	-	52.75	2.25	4.75
8TU17	8	10	28.00	39.00	71.00	18.00	12.50	3.25	1.25	4.00	6.00	16.50	6.50	5.12	-	52.75	2.25	4.75
10TU22B & C	10	12	31.00	50.00	81.38	24.00	14.00	3.25	1.25	4.00	6.00	20.75	8.75	7.62	41.50	-	2.25	2.25

Pump Size	R <sub>1</sub>	R <sub>2</sub>	R <sub>3</sub>	R <sub>4</sub>	S	U		U <sub>1</sub>		V	W	W <sub>1</sub>	W <sub>2</sub>	X	YY	Z	DD	EE <sub>1</sub>	EE <sub>2</sub>	PP <sub>1</sub>	PP <sub>2</sub>
						Dia.	Keyway	Dia.	Keyway												
4TU14	8.25	14.25	8.25	12.75	5.50	1.750 1.749	.375 x.188	1.688 1.687	.375 x.188	3.25	21.62	27.62	27.88	14.00	14.00	9.00	-	-	-	-	-
5TU13	10.12	16.88	9.38	16.12	7.00	2.250 2.249	.50 x.25	2.250 2.249	.50 x.25	4.00	26.88	33.62	33.62	15.00	15.00	8.75	-	-	-	-	-
5TU15	9.38	16.12	9.38	14.38	6.00	2.000 1.999	.50 x.25	2.000 1.999	.50 x.25	3.25	23.50	30.25	30.75	16.00	16.00	10.00	-	-	-	-	-
6TU16	11.00	19.50	11.00	17.50	7.50	2.250 2.249	.50 x.25	2.250 2.249	.50 x.25	4.00	28.62	37.12	37.88	18.00	16.00	10.75	-	-	-	-	-
8TU16	12.50	22.00	12.50	19.50	8.50	2.750 2.749	.625 x.312	2.625 2.624	.625 x.312	4.75	33.25	42.75	43.62	20.00	18.00	11.50	-	-	-	-	-
8TU17	12.50	22.00	12.50	19.50	8.50	2.750 2.749	.625 x.312	2.625 2.624	.625 x.312	4.75	33.25	42.75	43.62	20.00	18.00	11.50	-	-	-	-	-
10TU22B 10TU22C	16.75	28.75	16.75	28.75	11.75	3.500 3.499	.875 x.438	-	-	6.50	38.00	50.00	-	25.75	28.00	14.50	32.75	18.62	14.12	4.38	13.88

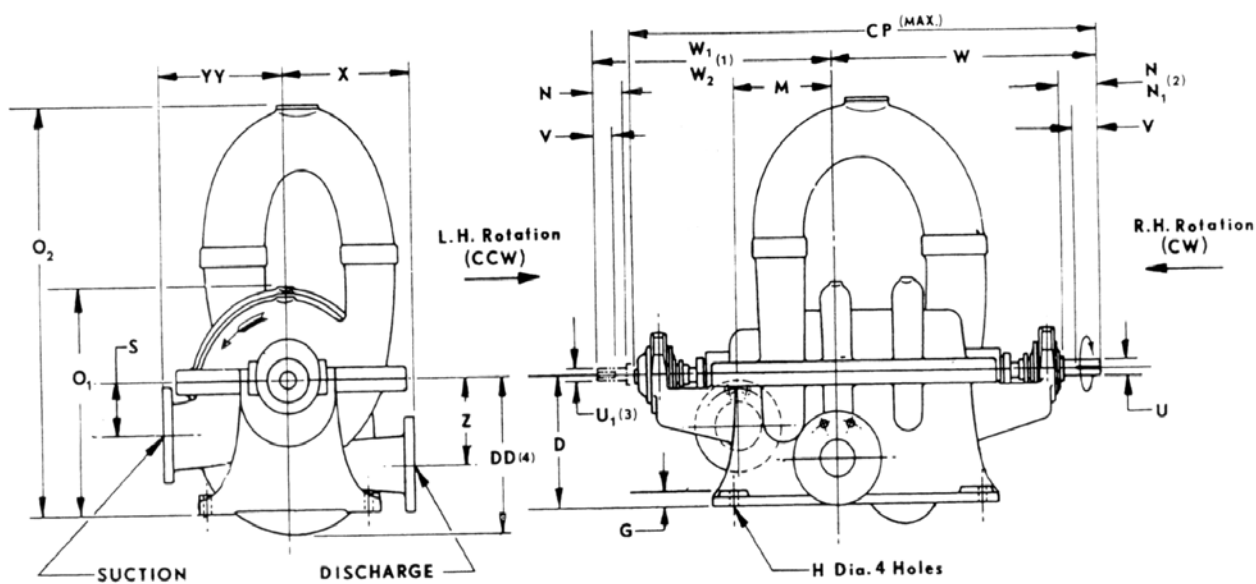
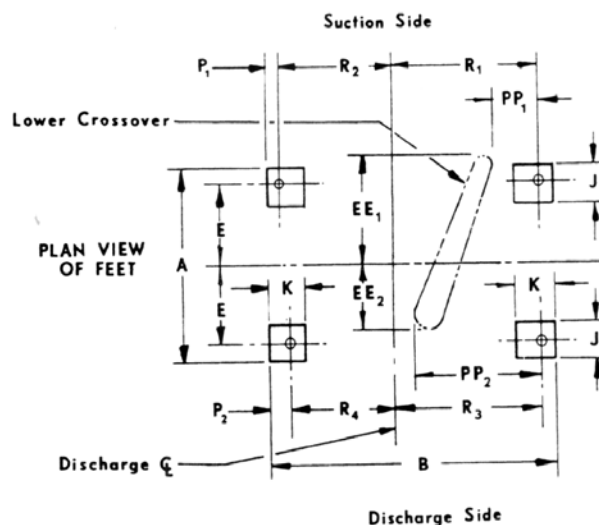
CUSTOMER \_\_\_\_\_ JOB NAME \_\_\_\_\_  
P.O. NO. \_\_\_\_\_ ITEM NO. \_\_\_\_\_  
S.O. NO. \_\_\_\_\_ SERIAL NO. \_\_\_\_\_  
MOTOR MFR. \_\_\_\_\_ ENCL. \_\_\_\_\_ FRAME \_\_\_\_\_ H.P. \_\_\_\_\_ VOLTS \_\_\_\_\_ PH. \_\_\_\_\_ HZ. \_\_\_\_\_  
PUMP TYPE & SIZE \_\_\_\_\_ RPM \_\_\_\_\_ G.P.M. \_\_\_\_\_ TOTAL DYNAMIC HD. FT. \_\_\_\_\_  
CERTIFIED FOR  APPROVAL  CONSTRUCTION BY \_\_\_\_\_ DATE \_\_\_\_\_

SUBJECT TO  
CHANGE UNLESS  
CERTIFIED FOR  
CONSTRUCTION

**HORIZONTAL SPLIT CASE PUMPS  
 MULTISTAGE SINGLE SUCTION  
 Type TUT 3 Stage**



Peerless Pump Company  
 Indianapolis, IN 46207-7026



**Notes:**

- (1) Use  $W_1$  for L.H. rotation (CCW). Use  $W_2$  dimension for double extended shaft pumps only.
- (2) Use  $N$  dimension for grease lubricated ball bearing pumps. Use  $N_1$  dimension for oil lubricated ball bearing pumps only.
- (3) Use  $U_1$  dimension for double extended shaft pumps. For L.H. rotation (CCW) double extended shaft pumps refer to factory for dimensions. On double extended shaft pumps, rotation is determined from the U dia. end of pump.
- (4)  $DD$  dimension includes allowance for clearance of pipe elbow installed in lower crossover drain tap.



**HORIZONTAL SPLIT CASE PUMPS**  
**MULTISTAGE SINGLE SUCTION**  
**Type TUT 3 Stage**

**BARE PUMP DIMENSIONS**

Pump Size	Discharge Flange Size x 250 LB. ANSI		Suction Flange Size x 125 LB. ANSI		A	B	CP	D	E	G	H	J	K	M	N	N <sub>1</sub>	O <sub>1</sub>	O <sub>2</sub>	P <sub>1</sub>	P <sub>2</sub>
	R <sub>1</sub>	R <sub>2</sub>	R <sub>3</sub>	R <sub>4</sub>																
1½TUT7	1½		2½		13.00	20.50	39.88	8.00	5.62	1.75	.75	2.50	3.50	6.50	3.75	2.88	13.38	-	1.12	1.12
3TUT13	3		4		18.00	32.00	52.88	12.00	8.12	2.00	.75	3.00	3.12	9.75	4.50	4.00	-	35.12	2.38	2.38
4TUT14	4		5		20.00	32.25	53.38	14.00	9.00	2.00	.88	4.00	4.00	11.12	4.75	4.25	-	43.12	1.50	3.25
5TUT16	5		6		24.00	37.25	64.00	16.00	10.88	2.25	1.00	3.50	5.00	12.81	6.00	5.00	-	48.38	2.00	4.00

Pump Size	R <sub>1</sub>	R <sub>2</sub>	R <sub>3</sub>	R <sub>4</sub>	S	U		U <sub>1</sub>		V	W	W <sub>1</sub>	W <sub>2</sub>	X	YY	Z	DD	EE <sub>1</sub>	EE <sub>2</sub>	PP <sub>1</sub>	PP <sub>2</sub>
						Dia.	Keyway	Dia.	Keyway												
1½TUT7	9.62	8.62	9.62	8.62	3.75	1.125	.250	1.062	.250	2.50	21.75	20.75	20.75	8.00	8.00	3.75	-	-	-	-	-
						1.124	x.125	1.061	x.125												
3TUT13	14.75	12.50	14.75	12.50	5.00	1.750	.375	1.688	.375	3.25	29.38	27.12	27.38	13.00	13.00	7.75	14.50	9.75	8.12	5.25	12.75
						1.749	x.188	1.687	x.188												
4TUT14	15.62	13.62	13.88	11.88	5.50	1.750	.375	1.688	.375	3.25	29.62	27.62	27.88	14.00	14.00	9.00	19.88	10.75	8.50	5.50	12.25
						1.749	x.188	1.687	x.188												
5TUT16	17.75	15.50	17.75	13.50	6.00	2.250	.50	2.250	.50	4.00	35.38	33.12	33.88	16.00	16.00	10.75	23.75	12.50	9.75	6.00	16.00
						2.249	x.25	2.249	x.25												

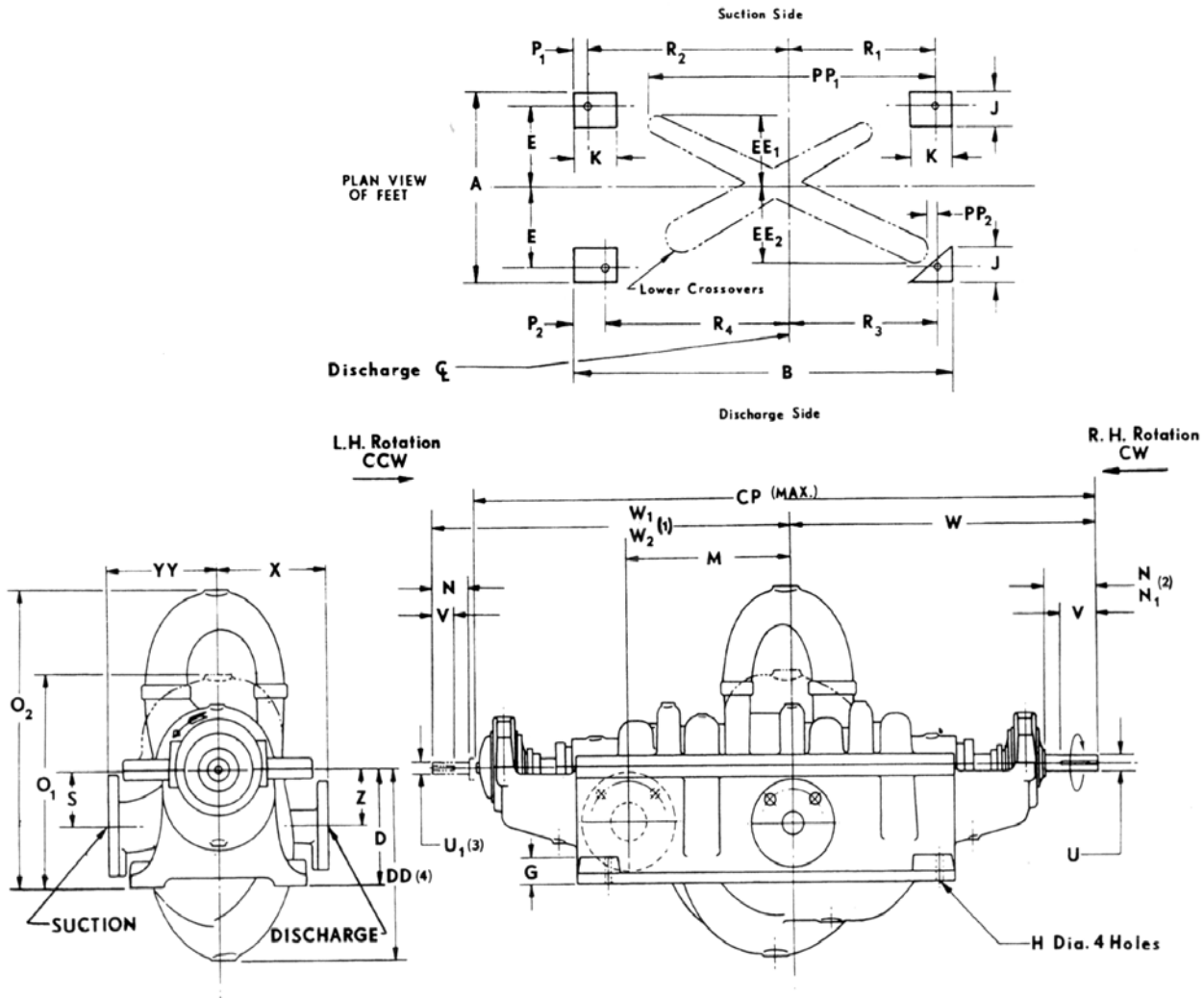
CUSTOMER \_\_\_\_\_ JOB NAME \_\_\_\_\_  
P.O. NO. \_\_\_\_\_ ITEM NO. \_\_\_\_\_  
S.O. NO. \_\_\_\_\_ SERIAL NO. \_\_\_\_\_  
MOTOR MFR. \_\_\_\_\_ ENCL. \_\_\_\_\_ FRAME \_\_\_\_\_ H.P. \_\_\_\_\_ VOLTS \_\_\_\_\_ PH. \_\_\_\_\_ HZ. \_\_\_\_\_  
PUMP TYPE & SIZE \_\_\_\_\_ RPM \_\_\_\_\_ G.P.M. \_\_\_\_\_ TOTAL DYNAMIC HD. FT. \_\_\_\_\_  
CERTIFIED FOR  APPROVAL  CONSTRUCTION BY \_\_\_\_\_ DATE \_\_\_\_\_

Subject to change unless certified for construction

**HORIZONTAL SPLIT CASE PUMPS  
 MULTISTAGE SINGLE SUCTION  
 Type TUT 4 & 5 Stage**



Peerless Pump Company  
 Indianapolis, IN 46207-7026



**Notes:**

- (1) Use  $W_1$  for L.H. rotation (CCW). Use  $W_2$  dimension for double extended shaft pumps only.
- (2) Use  $N$  dimension for grease lubricated ball bearing pumps. Use  $N_1$  dimension for oil lubricated ball bearing pumps only.
- (3) Use  $U_1$  dimension for double extended shaft pumps. For L.H. rotation (CCW) double extended shaft pumps refer to factory for dimensions. On double extended shaft pumps, rotation is determined from the U dia. end of pump.
- (4)  $DD$  dimension includes allowance for clearance of pipe elbow installed in lower crossover drain tap.





**HORIZONTAL SPLIT CASE PUMPS  
MULTISTAGE SINGLE SUCTION  
Type TUT 4 & 5 Stage**

**BARE PUMP DIMENSIONS**

Pump Size	Stages	Discharge Flange		Suction Flange		A	B	CP	D	E	G	H	J	K	M	N	N <sub>1</sub>	O <sub>1</sub>	O <sub>2</sub>	P <sub>1</sub>	P <sub>2</sub>
		Size	LB. Rating(5)	Size	LB. ANSI																
1½TUT7	4	1½	400	2½	125	13.00	27.62	45.88	8.00	5.62	1.75	.75	2.50	3.25	12.00	3.75	3.00	14.75	-	.88	.88
2TUT8	4	2	400	3	125	14.00	33.00	51.62	9.00	6.12	2.00	.75	2.50	3.25	15.25	3.88	3.12	-	25.25	.88	2.38
3TUT9	4	3	400	4	125	19.00	38.50	60.62	10.00	8.62	2.00	.75	1.75	3.25	16.50	4.56	4.00	-	29.00	.88	.88
4TUT10	4	4	400	5	125	20.00	46.50	66.12	12.00	9.00	2.25	.88	1.88	3.75	19.50	4.75	4.25	-	33.75	2.75	2.75
2TUT9	5	2	600 Raised Face	3	250	24.00	45.75	59.25	16.75	10.88	2.50	.88	4.00	8.00	13.25	4.75	4.25	-	41.00	6.00	2.00

Pump Size	R <sub>1</sub>	R <sub>2</sub>	R <sub>3</sub>	R <sub>4</sub>	S	U		U <sub>1</sub>		V	W	W <sub>1</sub>	W <sub>2</sub>	X	YY	Z	DD	EE <sub>1</sub>	EE <sub>2</sub>	PP <sub>1</sub>	PP <sub>2</sub>
						Dia.	Keyway	Dia.	Keyway												
1½TUT7	9.44	14.94	10.94	14.94	3.75	1.125	.250	1.062	.250	2.50	22.25	26.25	26.75	8.00	8.00	3.88	16.38	5.25	5.62	20.75	1.25
						1.124	x.125	1.061	x.125												
2TUT8	11.62	18.12	13.12	16.62	4.50	1.375	.312	1.250	.312	2.50	24.75	29.75	30.12	10.00	9.50	4.50	20.38	6.25	7.00	26.00	.75
						1.374	x.156	1.249	x.156												
3TUT9	15.62	21.12	15.62	21.12	4.75	1.750	.375	1.688	.375	3.25	29.38	34.88	35.12	12.50	12.50	5.25	23.88	7.75	7.50	30.12	1.62
						1.749	x.188	1.687	x.188												
4TUT10	17.25	23.75	17.25	23.75	6.00	2.000	.50	2.000	.50	3.25	31.75	38.25	38.75	13.00	13.00	5.75	28.12	8.25	9.50	35.25	1.00
						1.999	x.25	1.999	x.25												
2TUT9	20.50	17.25	16.50	21.25	5.50	1.750	.375	1.688	.375	3.25	30.38	32.12	32.38	10.00	12.00	5.50	24.50	7.50	6.50	33.25	2.75
						1.749	x.188	1.687	x.188												

(5) 400 LB. rating flanges have 400 LB. steel ANSI dimensions; 600 LB. rating flanges have 600 LB. steel ANSI dimensions.

CUSTOMER \_\_\_\_\_ JOB NAME \_\_\_\_\_  
P.O. NO. \_\_\_\_\_ ITEM NO. \_\_\_\_\_  
S.O. NO. \_\_\_\_\_ SERIAL NO. \_\_\_\_\_  
MOTOR MFR. \_\_\_\_\_ ENCL. \_\_\_\_\_ FRAME \_\_\_\_\_ H.P. \_\_\_\_\_ VOLTS \_\_\_\_\_ PH. \_\_\_\_\_ HZ. \_\_\_\_\_  
PUMP TYPE & SIZE \_\_\_\_\_ RPM \_\_\_\_\_ G.P.M. \_\_\_\_\_ TOTAL DYNAMIC HD. FT. \_\_\_\_\_  
CERTIFIED FOR  APPROVAL  CONSTRUCTION BY \_\_\_\_\_ DATE \_\_\_\_\_

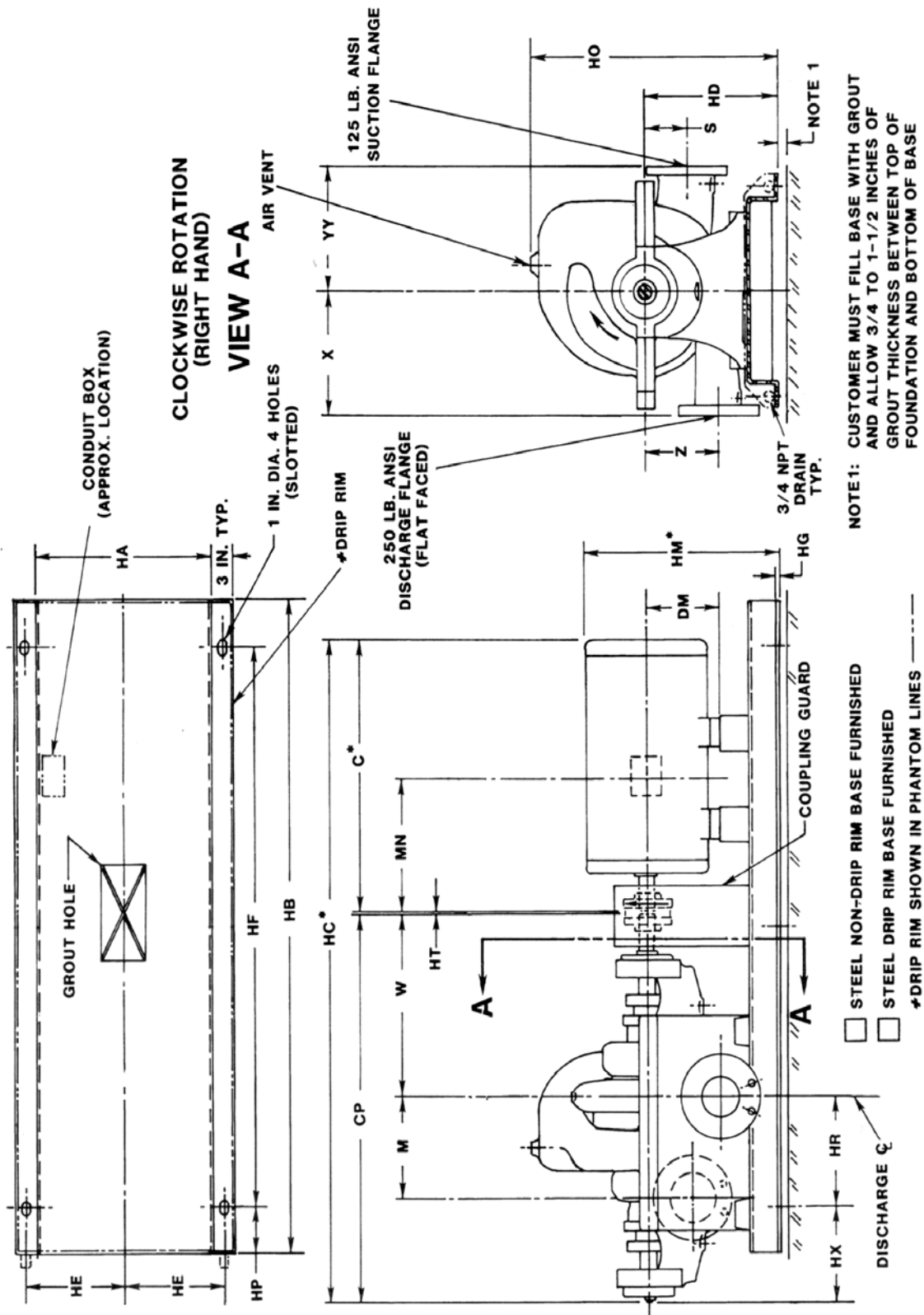
SUBJECT TO CHANGE  
UNLESS CERTIFIED  
FOR CONSTRUCTION

DT 2899596

**HORIZONTAL SPLIT CASE PUMPS  
 MULTI STAGE SINGLE SUCTION  
 Type 1½TU7**



Peerless Pump Company  
 Indianapolis, IN 46207-7026



**NOTE 1:** CUSTOMER MUST FILL BASE WITH GROUT AND ALLOW 3/4 TO 1-1/2 INCHES OF GROUT THICKNESS BETWEEN TOP OF FOUNDATION AND BOTTOM OF BASE

- STEEL NON-DRIP RIM BASE FURNISHED
- STEEL DRIP RIM BASE FURNISHED
- DRIP RIM SHOWN IN PHANTOM LINES

\* MAXIMUM DIMENSIONS, MAY BE LESS FOR DIFFERENT MAKE MOTORS OR ENCLOSURES.



# HORIZONTAL SPLIT CASE PUMPS MULTI STAGE SINGLE SUCTION Type 1½TU7

## Type TU Outline Dimensions Fabricated Steel Base

Pump Size & Type	Discharge Flange Size X ANSI Lb. Rating	Pump Dimensions in Inches							Pump Weight Lbs.	
		Suction Flange Size X ANSI Lb. Rating	CP	M	S	W	X	YY		Z
1½TU7	1½ x 250	2½ x 125	35.81	7.00	3.75	17.25	8.00	8.00	3.88	355

Pump Size & Type	Motor Frame Size	Unit Dimensions in Inches										Base Dimensions in Inches						Weight-Lbs.		
		C*	DM	HC*	HD	HM*	HO	HR	HT	HX	MN	HA	HB	HE	HF	HG	HP	Cplg.	Motor	Base
1½TU7	143T	14	3.50	50.06	11.50	17.50	18.25	8.00	.25	10.56	6.50	16.0	48.0	9.5	40.0	.25	4.0	4	40	130
	145T	15	3.50	51.06	11.50	17.50	18.25	8.00	.25	10.56	7.00	16.0	48.0	9.5	40.0	.25	4.0	4	45	130
	182T	16	4.50	52.06	11.50	18.50	18.25	8.00	.25	10.56	7.75	16.0	48.0	9.5	40.0	.25	4.0	4	72	138
	184T	17	4.50	53.06	11.50	18.50	18.25	8.00	.25	10.56	8.25	16.0	48.0	9.5	40.0	.25	4.0	4	80	138
	213T	19	5.25	55.06	11.25	19.00	18.00	8.00	.25	10.56	9.62	16.0	48.0	9.5	40.0	.25	4.0	6	130	135
215T	21	5.25	57.06	11.25	19.00	18.00	8.00	.25	10.56	10.38	16.0	48.0	9.5	40.0	.25	4.0	6	145	135	

TOTAL UNIT WEIGHT \_\_\_\_\_ LBS.

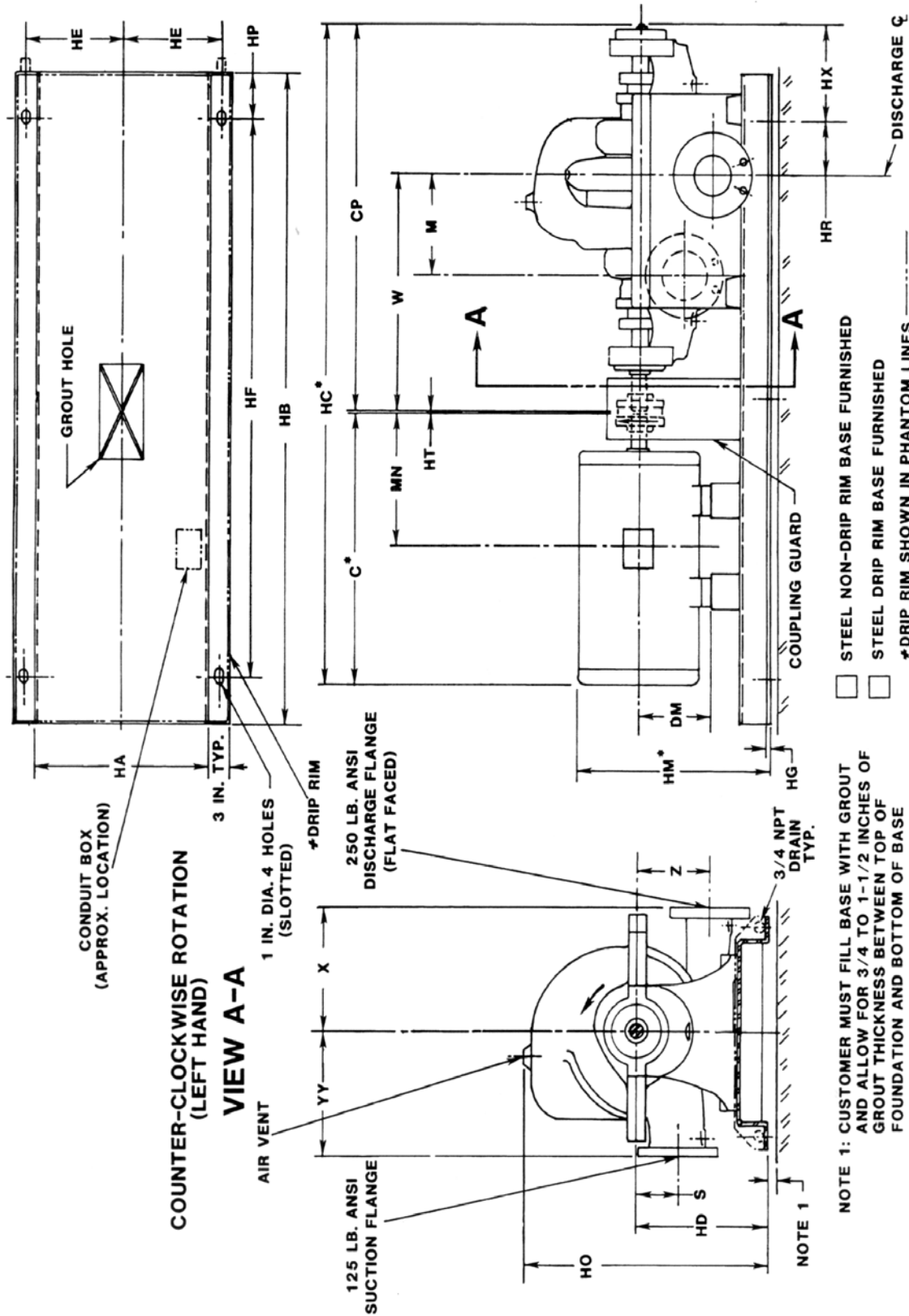
CUSTOMER \_\_\_\_\_ JOB NAME \_\_\_\_\_  
P.O. NUMBER \_\_\_\_\_ ITEM NO. \_\_\_\_\_  
S.O. NO. \_\_\_\_\_ SERIAL NO. \_\_\_\_\_  
MOTOR MFR. \_\_\_\_\_ ENCL. \_\_\_\_\_ FRAME \_\_\_\_\_ H.P. \_\_\_\_\_ VOLTS \_\_\_\_\_ PH. \_\_\_\_\_ HZ.  
PUMP MODEL \_\_\_\_\_ NO. STGS. \_\_\_\_\_ RPM. \_\_\_\_\_ G.P.M. \_\_\_\_\_ TOTAL HD. FT. \_\_\_\_\_  
CERTIFIED FOR  APPROVAL  CONSTRUCTION BY \_\_\_\_\_ DATE \_\_\_\_\_

Subject to change unless certified for construction.

**HORIZONTAL SPLIT CASE PUMPS  
 MULTI STAGE SINGLE SUCTION  
 Type 1½TU7**



Peerless Pump Company  
 Indianapolis, IN 46207-7026



CONDUIT BOX  
 (APPROX. LOCATION)

COUNTER-CLOCKWISE ROTATION  
 (LEFT HAND)  
**VIEW A-A**

1 IN. DIA. 4 HOLES  
 (SLOTTED)

250 LB. ANSI  
 DISCHARGE FLANGE  
 (FLAT FACED)

125 LB. ANSI  
 SUCTION FLANGE

NOTE 1: CUSTOMER MUST FILL BASE WITH GROUT  
 AND ALLOW FOR 3/4 TO 1-1/2 INCHES OF  
 GROUT THICKNESS BETWEEN TOP OF  
 FOUNDATION AND BOTTOM OF BASE

□ STEEL NON-DRIP RIM BASE FURNISHED  
 □ STEEL DRIP RIM BASE FURNISHED  
 \*DRIP RIM SHOWN IN PHANTOM LINES

\*MAXIMUM DIMENSIONS, MAY BE LESS FOR DIFFERENT MAKE MOTORS OR ENCLOSURES.



# HORIZONTAL SPLIT CASE PUMPS MULTI STAGE SINGLE SUCTION Type 1½TU7

## Type TU Outline Dimensions Fabricated Steel Base

Pump Size & Type	Suction Flange Size X ANSI Lb. Rating	Discharge Flange Size X ANSI Lb. Rating	Pump Dimensions in Inches						Pump Weight Lbs.	
			CP	M	S	W	X	Y		Z
1½TU7	2½ x 125	1½ x 250	35.81	7.00	3.75	21.25	8.00	8.00	3.88	355

Pump Size & Type	Motor Frame Size	Unit Dimensions in Inches										Base Dimensions in Inches						Weight-Lbs.		
		C*	DM	HC*	HD	HM*	HO	HR	HT	HX	MN	HA	HB	HE	HF	HG	HP	Cplg.	Motor	Base
1½TU7	143T	14	3.50	50.06	11.50	17.50	18.25	4.00	.25	10.56	6.50	16.0	48.0	9.5	40.0	.25	4.0	4	40	130
	145T	15	3.50	51.06	11.50	17.50	18.25	4.00	.25	10.56	7.00	16.0	48.0	9.5	40.0	.25	4.0	4	45	130
	182T	16	4.50	52.06	11.50	18.50	18.25	4.00	.25	10.56	7.75	16.0	48.0	9.5	40.0	.25	4.0	4	72	138
	184T	17	4.50	53.06	11.50	18.50	18.25	4.00	.25	10.56	8.25	16.0	48.0	9.5	40.0	.25	4.0	4	80	138
	213T	19	5.25	55.06	11.25	19.00	18.00	4.00	.25	10.56	9.62	16.0	48.0	9.5	40.0	.25	4.0	6	130	135
215T	21	5.25	57.06	11.25	19.00	18.00	4.00	.25	10.56	10.38	16.0	48.0	9.5	40.0	.25	4.0	6	145	135	

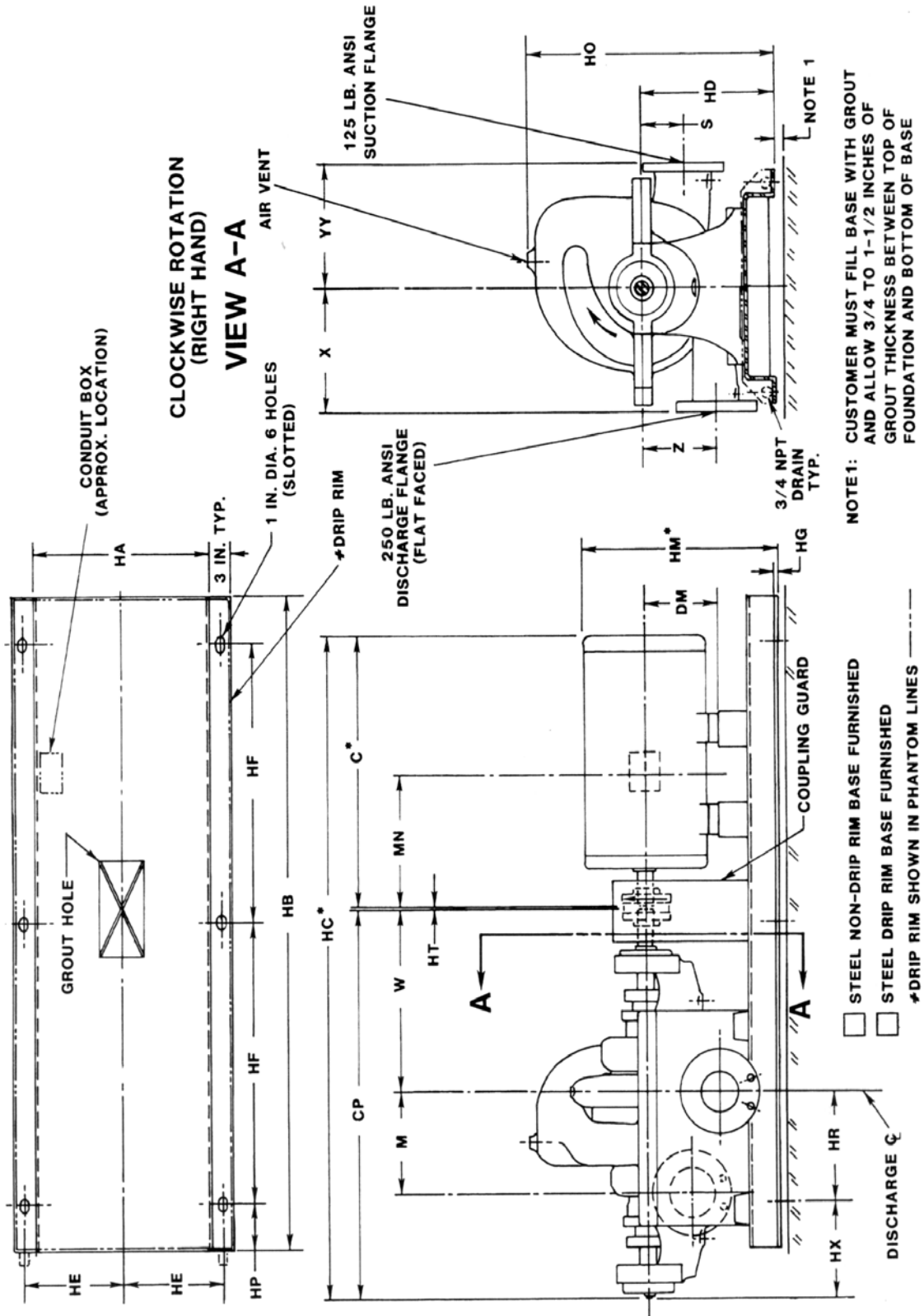
TOTAL UNIT WEIGHT \_\_\_\_\_ LBS.

CUSTOMER \_\_\_\_\_ JOB NAME \_\_\_\_\_  
 P.O. NUMBER \_\_\_\_\_ ITEM NO. \_\_\_\_\_  
 S.O. NO. \_\_\_\_\_ SERIAL NO. \_\_\_\_\_  
 MOTOR MFR. \_\_\_\_\_ ENCL. \_\_\_\_\_ FRAME \_\_\_\_\_ H.P. \_\_\_\_\_ VOLTS \_\_\_\_\_ PH. \_\_\_\_\_ HZ. \_\_\_\_\_  
 PUMP MODEL \_\_\_\_\_ NO. STGS. \_\_\_\_\_ RPM. \_\_\_\_\_ G.P.M. \_\_\_\_\_ TOTAL HD. FT. \_\_\_\_\_  
 CERTIFIED FOR  APPROVAL  CONSTRUCTION BY \_\_\_\_\_ DATE \_\_\_\_\_  
*Subject to change unless certified for construction.*

**HORIZONTAL SPLIT CASE PUMPS  
 MULTI STAGE SINGLE SUCTION  
 Types 1½TU7, 1½TUT7-3 Stage**



Peerless Pump Company  
 Indianapolis, IN 46207-7026



NOTE 1: CUSTOMER MUST FILL BASE WITH GROUT AND ALLOW 3/4 TO 1-1/2 INCHES OF GROUT THICKNESS BETWEEN TOP OF FOUNDATION AND BOTTOM OF BASE

\* MAXIMUM DIMENSIONS, MAY BE LESS FOR DIFFERENT MAKE MOTORS OR ENCLOSURES.



# HORIZONTAL SPLIT CASE PUMPS MULTI STAGE SINGLE SUCTION Types 1½TU7, 1½TUT7-3 Stage

## Type TU, TUT Outline Dimensions Fabricated Steel Base

Pump Size & Type	Suction Flange Size X ANSI Lb. Rating	Discharge Flange Size X ANSI Lb. Rating	Pump Dimensions in Inches								Pump Weight Lbs.
			Pump Dimensions in Inches								
			CP	M	S	W	X	Y	Z		
1½TU7	2½ x 125	1½ x 250	35.81	7.00	3.75	17.25	8.00	8.00	8.00	3.88	355
1½TUT7-3	2½ x 125	1½ x 250	39.88	6.50	3.75	21.75	8.00	8.00	8.00	3.75	615

Pump Size & Type	Motor Frame Size	Unit Dimensions in Inches										Base Dimensions in Inches						Weight-Lbs.		
		C*	DM	HC*	HD	HM*	HO	HR	HT	HX	MN	HA	HB	HE	HF	HG	HP	Cplg.	Motor	Base
		Unit Dimensions in Inches										Base Dimensions in Inches						Weight-Lbs.		
1½TU7	254T	24	6.25	60.06	11.00	20.25	17.75	8.00	.25	10.56	12.38	18.0	60.0	10.5	24.0	.25	6.0	8	220	158
	256T	26	6.25	62.06	11.00	20.25	17.75	8.00	.25	10.56	13.25	18.0	60.0	10.5	24.0	.25	6.0	8	240	158
	284TS	25	7.00	61.06	11.00	21.00	17.75	8.00	.25	10.56	12.75	18.0	60.0	10.5	24.0	.25	6.0	8	330	164
	145T	15	3.50	55.12	12.50	19.00	17.88	6.00	.25	12.12	7.00	18.0	60.0	10.5	24.0	.25	6.0	5	35	168
1½TUT7 3 Stage	182T	16	4.50	56.12	12.50	20.00	17.88	6.00	.25	12.12	7.75	18.0	60.0	10.5	24.0	.25	6.0	5	72	173
	184T	17	4.50	57.12	12.50	20.00	17.88	6.00	.25	12.12	8.25	18.0	60.0	10.5	24.0	.25	6.0	5	80	173
	213T	19	5.25	59.12	12.25	20.50	17.62	6.00	.25	12.12	9.62	18.0	60.0	10.5	24.0	.25	6.0	6	130	166
	215T	21	5.25	61.12	12.25	20.50	17.62	6.00	.25	12.12	10.38	18.0	60.0	10.5	24.0	.25	6.0	6	145	166
	254T	24	6.25	64.12	12.25	21.50	17.62	6.00	.25	12.12	12.38	18.0	60.0	10.5	24.0	.25	6.0	8	220	175
	256T	26	6.25	66.12	12.25	21.50	17.62	6.00	.25	12.12	13.25	18.0	60.0	10.5	24.0	.25	6.0	8	240	175
	284TS	25	7.00	65.12	12.00	22.00	17.38	6.00	.25	12.12	12.75	18.0	60.0	10.5	24.0	.25	6.0	8	330	163
	286TS	27	7.00	67.12	12.00	22.00	17.38	6.00	.25	12.12	13.50	18.0	60.0	10.5	24.0	.25	6.0	8	370	163
324TS	29	8.00	69.12	12.00	23.00	17.38	6.00	.25	12.12	14.25	18.0	60.0	10.5	24.0	.25	6.0	12	475	145	

TOTAL UNIT WEIGHT \_\_\_\_\_ LBS.

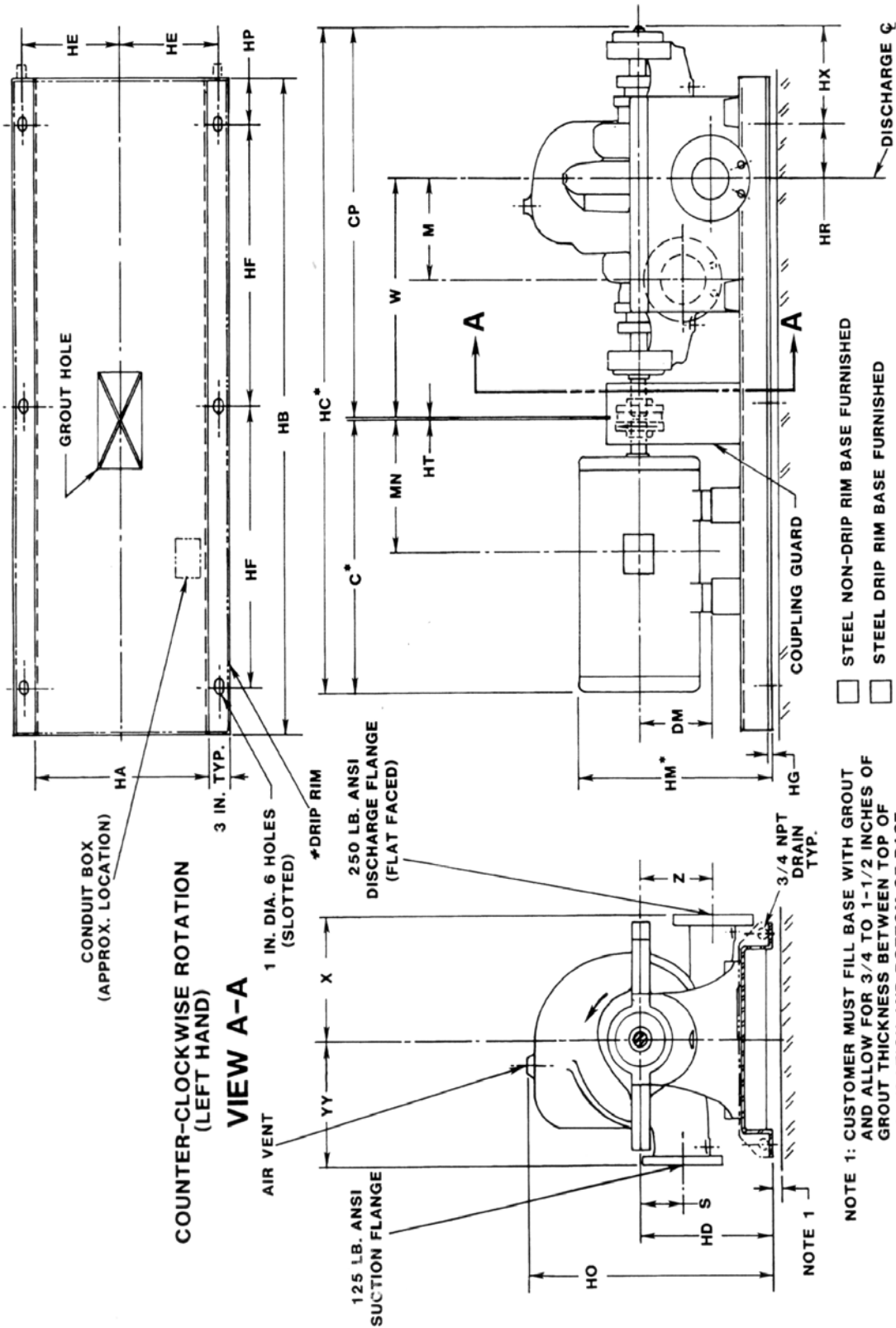
CUSTOMER \_\_\_\_\_ JOB NAME \_\_\_\_\_  
 P.O. NUMBER \_\_\_\_\_ ITEM NO. \_\_\_\_\_  
 S.O. NO. \_\_\_\_\_ SERIAL NO. \_\_\_\_\_  
 MOTOR MFR. \_\_\_\_\_ ENCL. \_\_\_\_\_ FRAME \_\_\_\_\_ H.P. \_\_\_\_\_ PH. \_\_\_\_\_ HZ. \_\_\_\_\_  
 PUMP MODEL \_\_\_\_\_ NO. STGS. \_\_\_\_\_ RPM. \_\_\_\_\_ G.P.M. \_\_\_\_\_ TOTAL HD. FT. \_\_\_\_\_  
 CERTIFIED FOR  APPROVAL  CONSTRUCTION BY \_\_\_\_\_ DATE \_\_\_\_\_

*Subject to change unless certified for construction.*

**HORIZONTAL SPLIT CASE PUMPS  
 MULTI STAGE SINGLE SUCTION  
 Types 1½TU7, 1½TUT7-3 Stage**



Peerless Pump Company  
 Indianapolis, IN 46207-7026







# HORIZONTAL SPLIT CASE PUMPS MULTI STAGE SINGLE SUCTION Types 1½TU7, 1½TUT7-3 Stage

## Type TU, TUT Outline Dimensions Fabricated Steel Base

Pump Size & Type	Suction Flange Size X ANSI Lb. Rating	Discharge Flange Size X ANSI Lb. Rating	Pump Dimensions in Inches							Pump Weight Lbs.	
			CP	M	S	W	X	YY	Z		
1½TU7	2½ x 125	1½ x 250	35.81	7.00	3.75	21.25	8.00	8.00	8.00	3.88	355
1½TUT7-3	2½ x 125	1½ x 250	39.88	6.50	3.75	20.75	8.00	8.00	8.00	3.75	615

Pump Size & Type	Motor Frame Size	Unit Dimensions in Inches										Base Dimensions in Inches						Weight-Lbs.		
		C*	DM	HC*	HD	HM*	HO	HR	HT	HX	MN	HA	HB	HE	HF	HG	HP	Cplg.	Motor	Base
1½TU7	254T	24	6.25	60.06	11.00	20.25	17.75	4.00	.25	10.56	12.38	18.0	60.0	10.5	24.0	.25	6.0	8	220	158
	256T	26	6.25	62.06	11.00	20.25	17.75	4.00	.25	10.56	13.25	18.0	60.0	10.5	24.0	.25	6.0	8	240	158
	284TS	25	7.00	61.06	11.00	21.00	17.75	4.00	.25	10.56	12.75	18.0	60.0	10.5	24.0	.25	6.0	8	330	164
	145T	15	3.50	55.12	12.50	19.00	17.88	7.00	.25	12.12	7.00	18.0	60.0	10.5	24.0	.25	6.0	5	35	168
1½TUT7 3 Stage	182T	16	4.50	56.12	12.50	20.00	17.88	7.00	.25	12.12	7.75	18.0	60.0	10.5	24.0	.25	6.0	5	72	173
	184T	17	4.50	57.12	12.50	20.00	17.88	7.00	.25	12.12	8.25	18.0	60.0	10.5	24.0	.25	6.0	5	80	173
	213T	19	5.25	59.12	12.25	20.50	17.62	7.00	.25	12.12	9.62	18.0	60.0	10.5	24.0	.25	6.0	6	130	166
	215T	21	5.25	61.12	12.25	20.50	17.62	7.00	.25	12.12	10.38	18.0	60.0	10.5	24.0	.25	6.0	6	145	166
	254T	24	6.25	64.12	12.25	21.50	17.62	7.00	.25	12.12	12.38	18.0	60.0	10.5	24.0	.25	6.0	8	220	175
	256T	26	6.25	66.12	12.25	21.50	17.62	7.00	.25	12.12	13.25	18.0	60.0	10.5	24.0	.25	6.0	8	240	175
	284TS	25	7.00	65.12	12.00	22.00	17.38	7.00	.25	12.12	12.75	18.0	60.0	10.5	24.0	.25	6.0	8	330	163
	286TS	27	7.00	67.12	12.00	22.00	17.38	7.00	.25	12.12	13.50	18.0	60.0	10.5	24.0	.25	6.0	8	370	163
324TS	29	8.00	69.12	12.00	23.00	17.38	7.00	.25	12.12	14.25	18.0	60.0	10.5	24.0	.25	6.0	12	475	145	

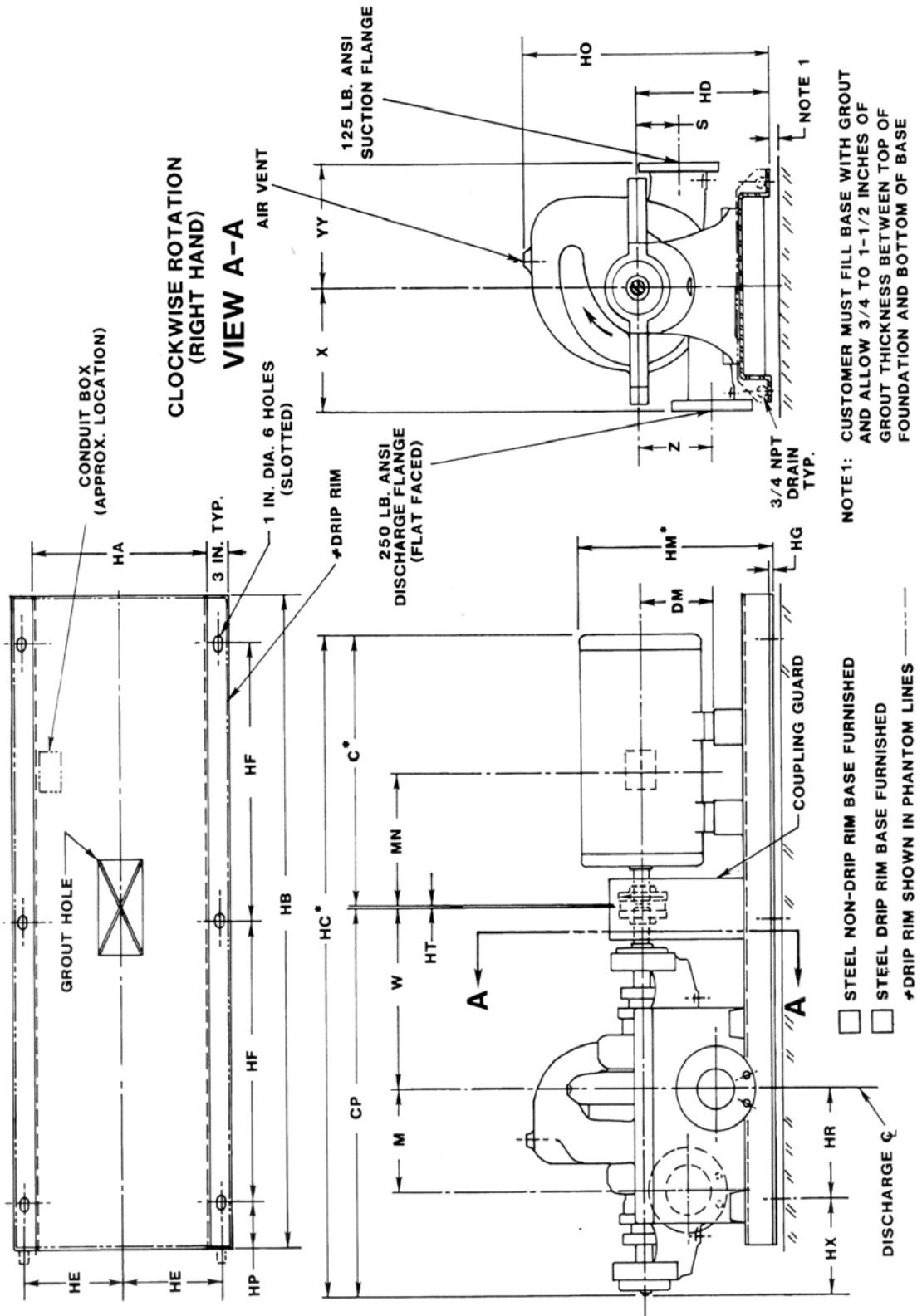
TOTAL UNIT WEIGHT \_\_\_\_\_ LBS.

CUSTOMER \_\_\_\_\_ JOB NAME \_\_\_\_\_  
P.O. NUMBER \_\_\_\_\_ ITEM NO. \_\_\_\_\_  
S.O. NO. \_\_\_\_\_ SERIAL NO. \_\_\_\_\_  
MOTOR MFR. \_\_\_\_\_ ENCL. \_\_\_\_\_ H.P. \_\_\_\_\_ VOLTS \_\_\_\_\_ PH. \_\_\_\_\_ HZ. \_\_\_\_\_  
PUMP MODEL \_\_\_\_\_ NO. STGS. \_\_\_\_\_ RPM. \_\_\_\_\_ TOTAL HD. FT. \_\_\_\_\_  
CERTIFIED FOR  APPROVAL  CONSTRUCTION BY \_\_\_\_\_ DATE \_\_\_\_\_  
*Subject to change unless certified for construction.*

**HORIZONTAL SPLIT CASE PUMPS  
 MULTI STAGE SINGLE SUCTION  
 Types 2TU8, 2TU10, 2TU12, 3TU10**



Peerless Pump Company  
 Indianapolis, IN 46207-7026





# HORIZONTAL SPLIT CASE PUMPS MULTI STAGE SINGLE SUCTION Types 2TU8, 2TU10, 2TU12, 3TU10

## Type TU Outline Dimensions Fabricated Steel Base

TOTAL UNIT WEIGHT \_\_\_\_\_ LBS.  
‡ Maximum Dimensions

Pump Size & Type	Suction Flange Size X ANSI Lb. Rating	Discharge Flange Size X ANSI Lb. Rating	Pump Dimensions in Inches										Pump Weight Lbs.
			Pump Dimensions in Inches										
			CP	M	S	W	X	Y	Z	Y	Z	Z	
2TU8	3 x 125	2 x 250	38.62	8.75	4.50	18.25	10.00	10.00	9.50	4.50	500		
2TU10	3 x 125	2 x 250	39.38	9.25	4.00	18.50	9.50	9.50	5.75	600			
2TU12	3 x 125	2 x 250	39.38	9.25	4.25	18.50	10.00	10.50	7.00	665			
3TU10	4 x 125	3 x 250	39.38	9.25	4.75	18.50	10.00	10.00	5.75	665			

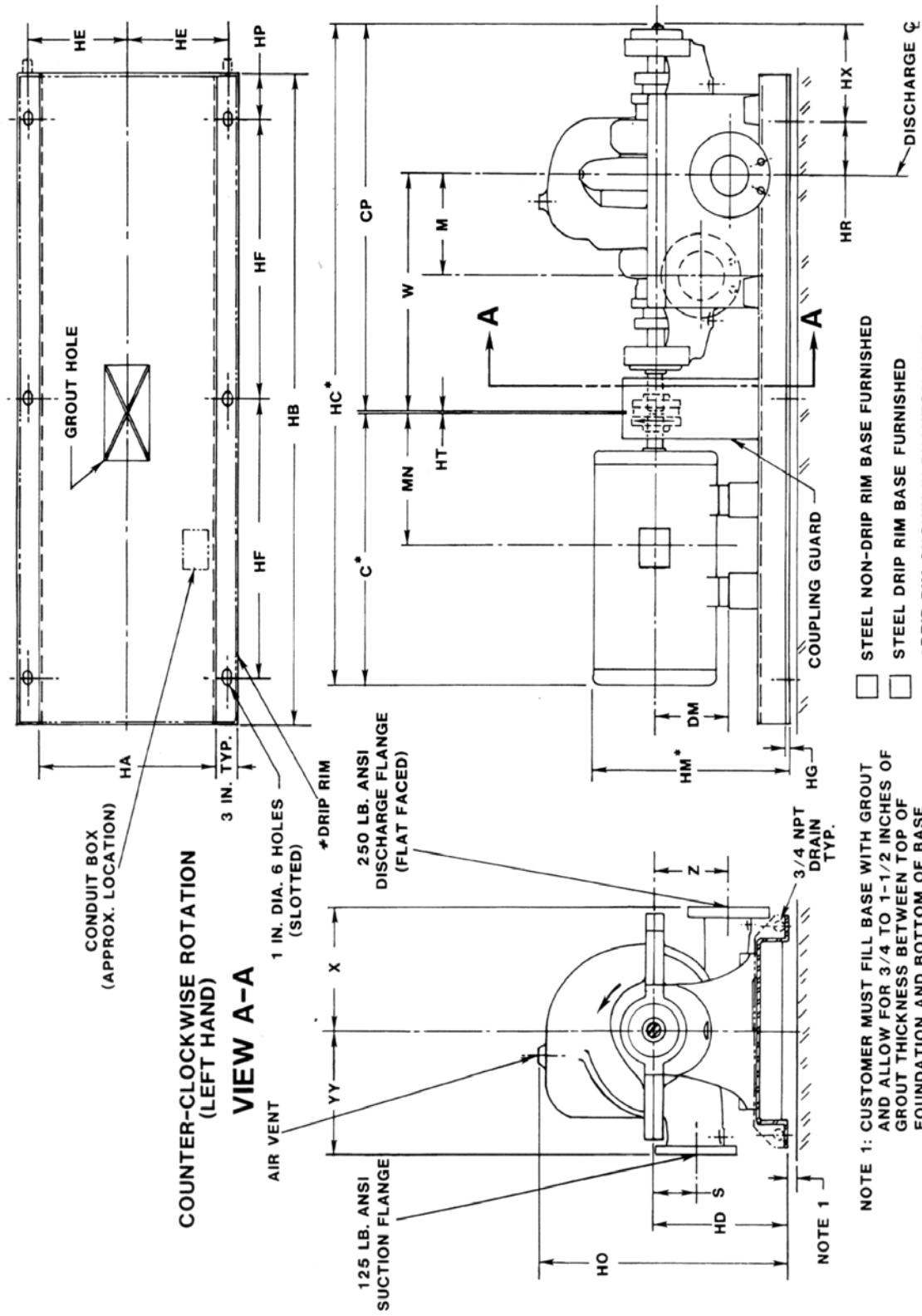
Pump Size & Type	Motor Frame Size	Unit Dimensions in Inches										Base Dimensions in Inches						Weight-Lbs.		
		C*	DM	HC*	HD	HM*	HO‡	HR	HT	HX	MN	HA	HB	HE	HF	HG	HP	Cplg.	Motor	Base
2TU8	215T	21	5.25	59.88	12.25	20.50	20.25	10.00	.25	10.38	10.38	18.0	60.0	10.5	24.0	.25	6.0	6	145	172
	254T	24	6.25	62.88	12.25	21.50	20.25	10.00	.25	10.38	12.38	18.0	60.0	10.5	24.0	.25	6.0	8	220	168
	256T	26	6.25	64.88	12.25	21.50	20.25	10.00	.25	10.38	13.25	18.0	60.0	10.5	24.0	.25	6.0	8	240	168
	284TS	25	7.00	63.88	12.00	22.00	20.00	10.00	.25	10.38	12.75	18.0	60.0	10.5	24.0	.25	6.0	8	330	181
	286TS	27	7.00	65.88	12.00	22.00	20.00	10.00	.25	10.38	13.50	18.0	60.0	10.5	24.0	.25	6.0	8	370	181
	324TS	29	8.00	67.88	12.00	23.00	20.00	10.00	.25	10.38	14.25	18.0	60.0	10.5	24.0	.25	6.0	12	475	163
	326TS	30	8.00	68.88	12.00	23.00	20.00	10.00	.25	10.38	15.00	18.0	60.0	10.5	24.0	.25	6.0	12	525	163
	184T	17	4.50	56.62	13.50	21.00	24.00	10.00	.25	10.88	9.62	18.0	60.0	10.5	24.0	.25	6.0	6	80	170
	213T	19	5.25	58.62	13.25	21.50	23.75	10.00	.25	10.88	10.38	18.0	60.0	10.5	24.0	.25	6.0	6	130	171
	215T	21	5.25	60.62	13.25	21.50	23.75	10.00	.25	10.88	10.38	18.0	60.0	10.5	24.0	.25	6.0	6	145	171
2TU10	254T	24	6.25	63.62	13.25	22.50	23.75	10.00	.25	10.88	12.38	18.0	60.0	10.5	24.0	.25	6.0	8	220	176
	256T	26	6.25	65.62	13.25	22.50	23.75	10.00	.25	10.88	13.25	18.0	60.0	10.5	24.0	.25	6.0	8	240	176
	284TS	25	7.00	66.62	13.00	23.00	23.50	10.00	.25	10.88	14.12	18.0	60.0	10.5	24.0	.25	6.0	12	330	170
	286TS	27	7.00	68.62	13.00	23.00	23.50	10.00	.25	10.88	12.75	18.0	60.0	10.5	24.0	.25	6.0	8	330	170
3TU10	324TS	29	8.00	68.62	13.00	24.00	23.50	10.00	.25	10.88	14.25	18.0	60.0	10.5	24.0	.25	6.0	12	475	181
	326TS	30	8.00	69.62	13.00	24.00	23.50	10.00	.25	10.88	15.00	18.0	60.0	10.5	24.0	.25	6.0	12	525	181
	364TS	32	9.00	71.62	13.00	25.00	23.50	10.00	.25	10.88	15.25	18.0	60.0	10.5	24.0	.25	6.0	12	835	163
	365TS	32	9.00	73.62	13.00	25.00	23.50	10.00	.25	10.88	15.75	18.0	60.0	10.5	24.0	.25	6.0	12	890	163
2TU10	404TS	35	10.00	75.38	14.00	27.00	24.50	14.00	1.00	6.88	17.00	24.0	72.0	13.5	30.0	.31	6.0	12	830	275
	405TS	37	10.00	77.38	14.00	27.00	24.50	14.00	1.00	6.88	17.75	24.0	72.0	13.5	30.0	.31	6.0	12	905	275
2TU12	404TS	35	10.00	75.38	14.50	27.50	25.00	14.00	1.00	6.88	17.00	24.0	72.0	13.5	30.0	.31	6.0	12	830	290
	405TS	37	10.00	77.38	14.50	27.50	25.00	14.00	1.00	6.88	17.75	24.0	72.0	13.5	30.0	.31	6.0	12	905	290
2TU10	444TS	41	11.00	80.62	15.00	28.00	25.50	14.00	.25	6.88	19.50	24.0	72.0	13.5	30.0	.31	6.0	16	1100	290

CUSTOMER \_\_\_\_\_ JOB NAME \_\_\_\_\_  
P.O. NUMBER \_\_\_\_\_ ITEM NO. \_\_\_\_\_  
S.O. NO. \_\_\_\_\_ SERIAL NO. \_\_\_\_\_  
MOTOR MFR. \_\_\_\_\_ FRAME \_\_\_\_\_ H.P. \_\_\_\_\_ VOLTS \_\_\_\_\_ PH. \_\_\_\_\_ HZ.  
PUMP MODEL \_\_\_\_\_ RPM. \_\_\_\_\_ G.P.M. \_\_\_\_\_ TOTAL HD. FT. \_\_\_\_\_ DATE \_\_\_\_\_  
CERTIFIED FOR  APPROVAL  CONSTRUCTION  
*Subject to change unless certified for construction.*

**HORIZONTAL SPLIT CASE PUMPS  
 MULTI STAGE SINGLE SUCTION  
 Types 2TU8, 2TU10, 2TU12, 3TU10**



Peerless Pump Company  
 Indianapolis, IN 46207-7026



COUNTER-CLOCKWISE ROTATION  
 (LEFT HAND)

VIEW A-A

- STEEL NON-DRIP RIM BASE FURNISHED
- STEEL DRIP RIM BASE FURNISHED
- \*DRIP RIM SHOWN IN PHANTOM LINES

NOTE 1: CUSTOMER MUST FILL BASE WITH GROUT AND ALLOW FOR 3/4 TO 1-1/2 INCHES OF GROUT THICKNESS BETWEEN TOP OF FOUNDATION AND BOTTOM OF BASE

\*MAXIMUM DIMENSIONS, MAY BE LESS FOR DIFFERENT MAKE MOTORS OR ENCLOSURES.



# HORIZONTAL SPLIT CASE PUMPS MULTI STAGE SINGLE SUCTION Types 2TU8, 2TU10, 2TU12, 3TU10

## Type TU Outline Dimensions Fabricated Steel Base

TOTAL UNIT WEIGHT \_\_\_\_\_ LBS.  
‡ Maximum Dimensions

Pump Size & Type	Suction Flange Size X ANSI Lb. Rating	Discharge Flange Size X ANSI Lb. Rating	Pump Dimensions In Inches								Pump Weight Lbs.
			Pump Dimensions In Inches								
			CP	M	S	W	X	YY	Z		
2TU8	3 x 125	2 x 250	38.62	8.75	4.50	23.25	10.00	9.50	4.50	500	
2TU10	3 x 125	2 x 250	39.38	9.25	4.00	23.75	9.50	9.50	5.75	600	
2TU12	3 x 125	2 x 250	39.38	9.25	4.25	23.75	10.00	10.50	7.00	665	
3TU10	4 x 125	3 x 250	39.38	9.25	4.75	23.75	10.00	10.00	5.75	665	

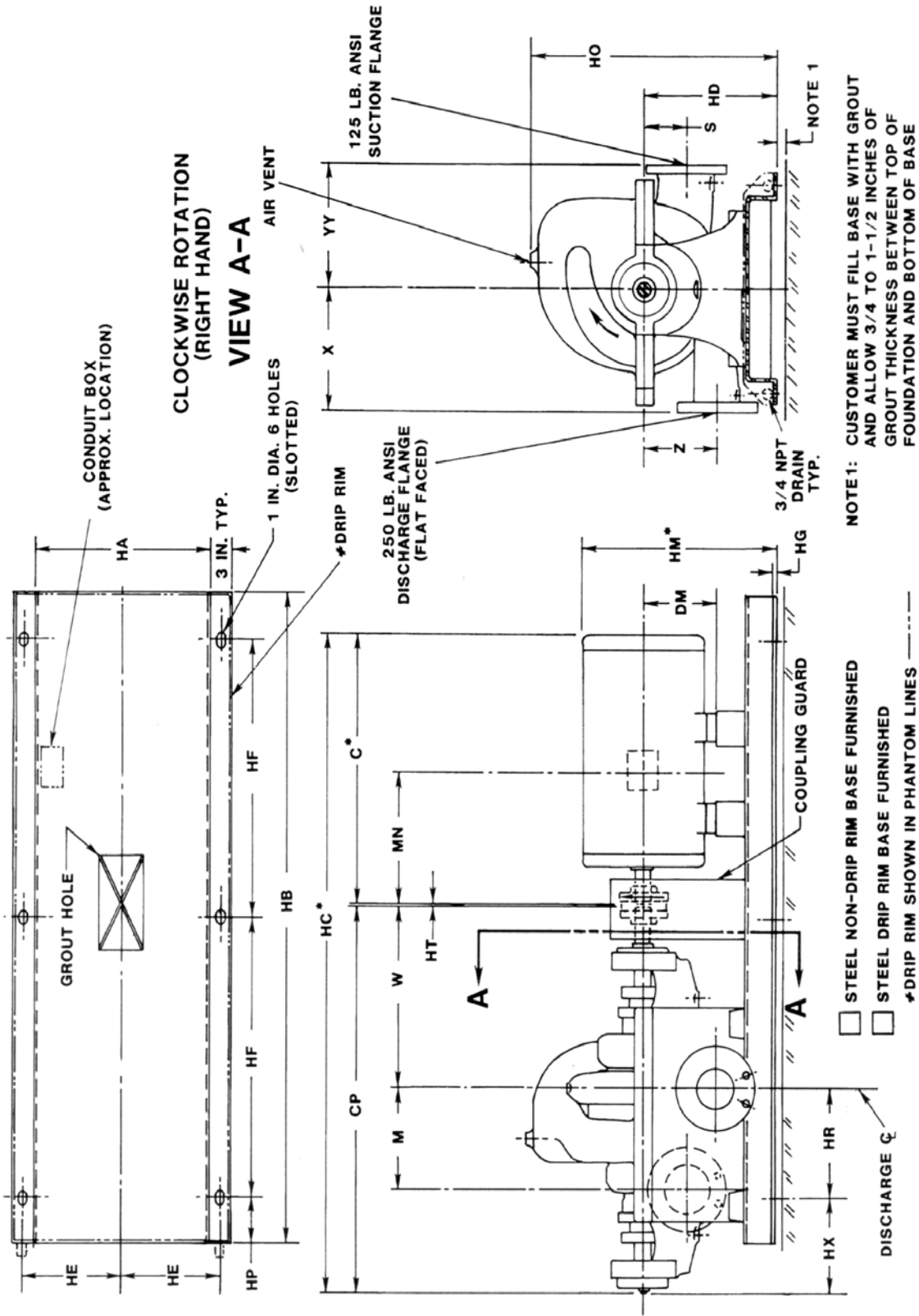
Pump Size & Type	Motor Frame Size	Unit Dimensions In Inches										Base Dimensions In Inches						Weight-Lbs.		
		C*	DM	HC*	HD	HM*	HO‡	HR	HT	HX	MN	HA	HB	HE	HF	HG	HP	Cplg.	Motor	Base
2TU8	215T	21	5.25	59.88	12.25	20.50	20.25	5.00	.25	10.38	10.38	18.0	60.0	10.5	24.0	.25	6.0	6	145	172
	254T	24	6.25	62.88	12.25	21.50	20.25	5.00	.25	10.38	12.38	18.0	60.0	10.5	24.0	.25	6.0	8	220	168
	256T	26	6.25	64.88	12.25	21.50	20.25	5.00	.25	10.38	13.25	18.0	60.0	10.5	24.0	.25	6.0	8	240	168
	284TS	25	7.00	63.88	12.00	22.00	20.00	5.00	.25	10.38	12.75	18.0	60.0	10.5	24.0	.25	6.0	8	330	181
	286TS	27	7.00	65.88	12.00	22.00	20.00	5.00	.25	10.38	13.50	18.0	60.0	10.5	24.0	.25	6.0	12	475	163
	324TS	29	8.00	67.88	12.00	23.00	20.00	5.00	.25	10.38	14.25	18.0	60.0	10.5	24.0	.25	6.0	12	525	163
	326TS	30	8.00	68.88	12.00	23.00	20.00	5.00	.25	10.38	15.00	18.0	60.0	10.5	24.0	.25	6.0	12	525	163
	184T	17	4.50	56.62	13.50	21.00	24.00	4.75	.25	10.88	8.62	18.0	60.0	10.5	24.0	.25	6.0	6	80	170
	213T	19	5.25	58.62	13.25	21.50	23.75	4.75	.25	10.88	9.62	18.0	60.0	10.5	24.0	.25	6.0	6	130	171
	215T	21	5.25	60.62	13.25	21.50	23.75	4.75	.25	10.88	10.38	18.0	60.0	10.5	24.0	.25	6.0	6	145	171
2TU10	254T	24	6.25	63.62	13.25	22.50	23.75	4.75	.25	10.88	12.38	18.0	60.0	10.5	24.0	.25	6.0	8	220	176
	256T	26	6.25	65.62	13.25	22.50	23.75	4.75	.25	10.88	13.25	18.0	60.0	10.5	24.0	.25	6.0	8	240	176
	284T	27	7.00	66.62	13.00	23.00	23.50	4.75	.25	10.88	14.12	18.0	60.0	10.5	24.0	.25	6.0	12	330	170
	284TS	25	7.00	64.62	13.00	23.00	23.50	4.75	.25	10.88	12.75	18.0	60.0	10.5	24.0	.25	6.0	8	330	170
	286TS	27	7.00	66.62	13.00	23.00	23.50	4.75	.25	10.88	13.50	18.0	60.0	10.5	24.0	.25	6.0	8	370	170
	324TS	29	8.00	68.62	13.00	24.00	23.50	4.75	.25	10.88	14.25	18.0	60.0	10.5	24.0	.25	6.0	12	525	181
	326TS	30	8.00	69.62	13.00	24.00	23.50	4.75	.25	10.88	15.00	18.0	60.0	10.5	24.0	.25	6.0	12	525	181
	364TS	32	9.00	71.62	13.00	25.00	23.50	4.75	.25	10.88	15.25	18.0	60.0	10.5	24.0	.25	6.0	12	835	163
	365TS	32	9.00	71.62	13.00	25.00	23.50	4.75	.25	10.88	15.75	18.0	60.0	10.5	24.0	.25	6.0	12	835	163
	404TS	35	10.00	75.38	14.00	27.00	24.50	8.75	1.00	6.88	17.00	24.0	72.0	13.5	30.0	.31	6.0	12	830	275
3TU10	405TS	37	10.00	77.38	14.00	27.00	24.50	8.75	1.00	6.88	17.75	24.0	72.0	13.5	30.0	.31	6.0	12	905	275
	404TS	35	10.00	75.38	14.50	27.50	25.00	8.75	1.00	6.88	17.00	24.0	72.0	13.5	30.0	.31	6.0	12	830	290
2TU12	405TS	37	10.00	77.38	14.50	27.50	25.00	8.75	1.00	6.88	17.75	24.0	72.0	13.5	30.0	.31	6.0	12	905	290
	444TS	41	11.00	80.62	15.00	28.00	25.50	8.75	.25	6.88	19.50	24.0	72.0	13.5	30.0	.31	6.0	16	1100	290

CUSTOMER \_\_\_\_\_ JOB NAME \_\_\_\_\_  
P.O. NUMBER \_\_\_\_\_ ITEM NO. \_\_\_\_\_  
S.O. NO. \_\_\_\_\_ SERIAL NO. \_\_\_\_\_  
MOTOR MFR. \_\_\_\_\_ ENCL. \_\_\_\_\_ H.P. \_\_\_\_\_ PH. \_\_\_\_\_ HZ. \_\_\_\_\_  
PUMP MODEL \_\_\_\_\_ FRAME \_\_\_\_\_ VOLTS \_\_\_\_\_ TOTAL HD. FT. \_\_\_\_\_  
RPM. \_\_\_\_\_ G.P.M. \_\_\_\_\_  
CERTIFIED FOR  APPROVAL  CONSTRUCTION BY \_\_\_\_\_ DATE \_\_\_\_\_  
*Subject to change unless certified for construction.*

**HORIZONTAL SPLIT CASE PUMPS  
 MULTI STAGE SINGLE SUCTION  
 Types 3TU13, 3TU13½, 4TU10**



Peerless Pump Company  
 Indianapolis, IN 46207-7026



NOTE 1: CUSTOMER MUST FILL BASE WITH GROUT AND ALLOW 3/4 TO 1-1/2 INCHES OF GROUT THICKNESS BETWEEN TOP OF FOUNDATION AND BOTTOM OF BASE

□ STEEL NON-DRIP RIM BASE FURNISHED  
 □ STEEL DRIP RIM BASE FURNISHED  
 φ DRIP RIM SHOWN IN PHANTOM LINES

\*MAXIMUM DIMENSIONS, MAY BE LESS FOR DIFFERENT MAKE MOTORS OR ENCLOSURES.



# HORIZONTAL SPLIT CASE PUMPS MULTI STAGE SINGLE SUCTION Types 3TU13, 3TU13½, 4TU10

## Type TU Outline Dimensions Fabricated Steel Base

Pump Size & Type	Motor Frame Size	Unit Dimensions in Inches										Base Dimensions in Inches										Weight-Lbs.		
		C*	DM	HC*	HD	HM*	HO	HR	HT	HX	MN	HA	HB	HE	HF	HG	HP	Cplg.	Motor	Base				
																					CP	M	S	W
3TU13 3TU13½	254T	24	6.25	65.50	14.25	23.50	26.62	9.00	.25	12.62	12.38	18.0	60.0	10.5	24.0	.25	6.0	8	220	183				
	256T	26	6.25	67.50	14.25	23.50	26.62	9.00	.25	12.62	13.25	18.0	60.0	10.5	24.0	.25	6.0	8	240	183				
	284T	27	7.00	68.50	14.00	24.00	26.38	9.00	.25	12.62	14.12	18.0	60.0	10.5	24.0	.25	6.0	12	330	174				
	286T	28	7.00	69.50	14.00	24.00	26.38	9.00	.25	12.62	14.88	18.0	60.0	10.5	24.0	.25	6.0	12	370	174				
	324T	30	8.00	71.50	14.00	25.00	26.38	9.00	.25	12.62	15.75	18.0	60.0	10.5	24.0	.25	6.0	16	475	173				
	326T	32	8.00	73.50	14.00	25.00	26.38	9.00	.25	12.62	16.50	18.0	60.0	10.5	24.0	.25	6.0	16	525	173				
	364TS	32	9.00	73.50	14.00	26.00	26.38	9.00	.25	12.62	15.25	18.0	60.0	10.5	24.0	.25	6.0	12	630	181				
	213T	19	5.25	60.50	15.25	23.50	26.25	10.00	.25	11.62	10.38	23.0	60.0	13.0	24.0	.25	6.0	6	130	214				
	215T	21	5.25	62.50	15.25	23.50	26.25	10.00	.25	11.62	10.38	23.0	60.0	13.0	24.0	.25	6.0	6	180	214				
	254T	24	6.25	65.50	15.25	24.50	26.25	10.00	.25	11.62	12.38	23.0	60.0	13.0	24.0	.25	6.0	8	220	218				
4TU10	256T	26	6.25	67.50	15.25	24.50	26.25	10.00	.25	11.62	13.25	23.0	60.0	13.0	24.0	.25	6.0	8	240	218				
	284T	27	7.00	68.50	15.00	25.00	26.00	10.00	.25	11.62	14.12	23.0	60.0	13.0	24.0	.25	6.0	12	330	218				
	284TS	25	7.00	66.50	15.00	25.00	26.00	10.00	.25	11.62	12.75	23.0	60.0	13.0	24.0	.25	6.0	8	330	218				
	286TS	27	7.00	68.50	15.00	25.00	26.00	10.00	.25	11.62	13.50	23.0	60.0	13.0	24.0	.25	6.0	8	370	218				
	324TS	29	8.00	70.50	15.00	26.00	26.00	10.00	.25	11.62	14.25	23.0	60.0	13.0	24.0	.25	6.0	12	475	199				
	326TS	30	8.00	71.50	15.00	26.00	26.00	10.00	.25	11.62	15.00	23.0	60.0	13.0	24.0	.25	6.0	12	525	199				
	364TS	32	9.00	73.50	16.00	28.00	27.00	13.00	.25	8.62	15.25	24.0	72.0	13.5	30.0	.31	6.0	12	630	303				
	365TS	32	9.00	73.50	16.00	28.00	27.00	13.00	.25	8.62	15.75	24.0	72.0	13.5	30.0	.31	6.0	12	690	303				
	404TS	35	10.00	76.50	16.00	29.00	27.00	13.00	.25	8.62	17.00	24.0	72.0	13.5	30.0	.31	6.0	16	830	308				
	405TS	37	10.00	78.50	16.00	29.00	27.00	13.00	.25	8.62	17.75	24.0	72.0	13.5	30.0	.31	6.0	16	915	308				
444TS	41	11.00	82.50	16.00	30.00	27.00	13.00	.25	8.62	19.50	24.0	72.0	13.5	30.0	.31	6.0	23	1100	290					
445TS	43	11.00	84.50	16.00	30.00	27.00	13.00	.25	8.62	20.50	24.0	72.0	13.5	30.0	.31	6.0	23	1270	290					

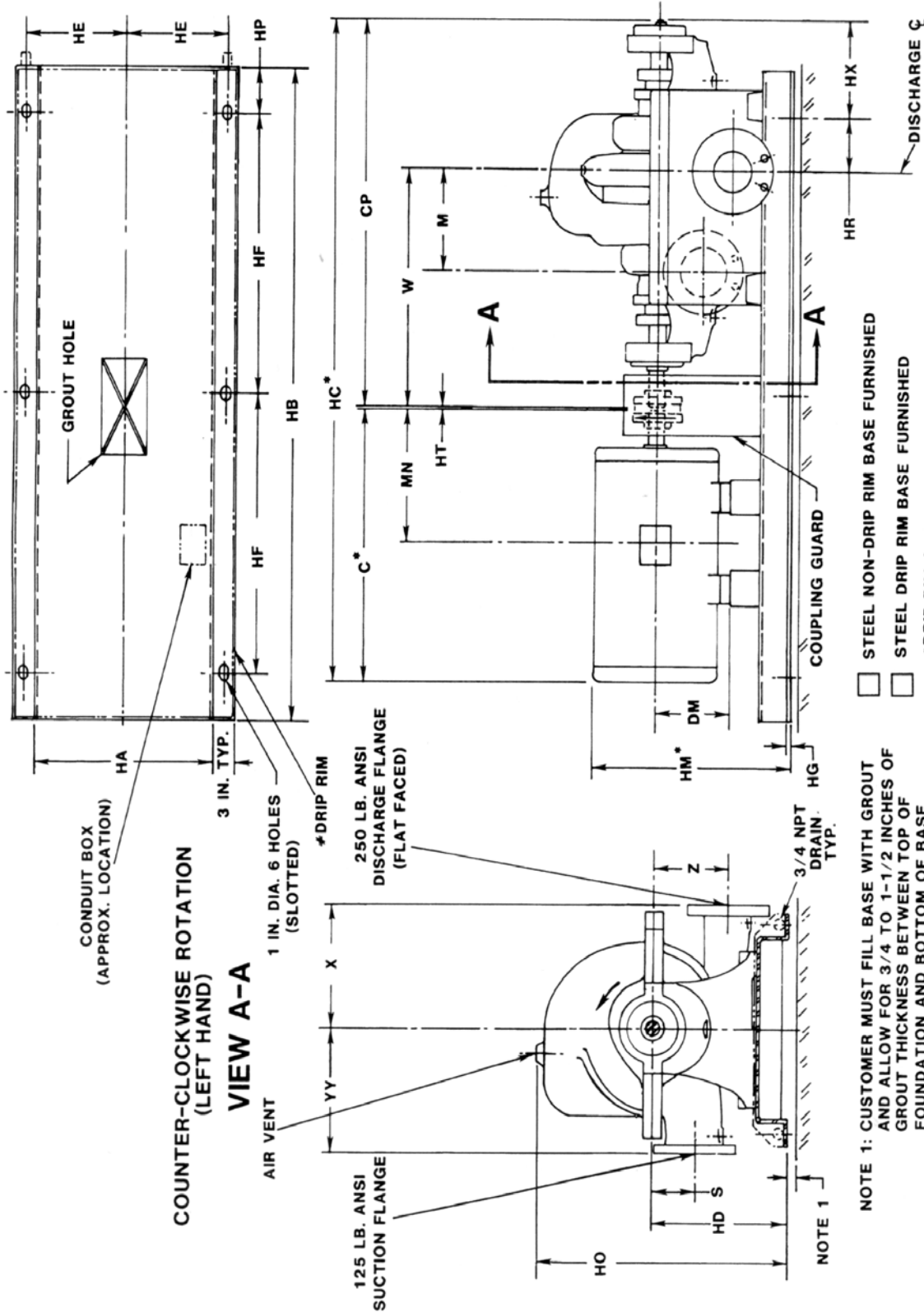
TOTAL UNIT WEIGHT \_\_\_\_\_ LBS.

CUSTOMER \_\_\_\_\_ JOB NAME \_\_\_\_\_  
P.O. NUMBER \_\_\_\_\_ ITEM NO. \_\_\_\_\_  
S.O. NO. \_\_\_\_\_ SERIAL NO. \_\_\_\_\_  
MOTOR MFR. \_\_\_\_\_ ENCL. \_\_\_\_\_ FRAME \_\_\_\_\_ H.P. \_\_\_\_\_ PH. \_\_\_\_\_ HZ. \_\_\_\_\_  
PUMP MODEL \_\_\_\_\_ NO. STGS. \_\_\_\_\_ RPM. \_\_\_\_\_ G.P.M. \_\_\_\_\_ VOLTS \_\_\_\_\_ TOTAL HD. FT. \_\_\_\_\_  
CERTIFIED FOR  APPROVAL  CONSTRUCTION BY \_\_\_\_\_ DATE \_\_\_\_\_

**HORIZONTAL SPLIT CASE PUMPS  
 MULTI STAGE SINGLE SUCTION  
 Types 3TU13, 3TU13½, 4TU10**



Peerless Pump Company  
 Indianapolis, IN 46207-7026



NOTE 1: CUSTOMER MUST FILL BASE WITH GROUT AND ALLOW FOR 3/4 TO 1-1/2 INCHES OF GROUT THICKNESS BETWEEN TOP OF FOUNDATION AND BOTTOM OF BASE

STEEL NON-DRIP RIM BASE FURNISHED  
 STEEL DRIP RIM BASE FURNISHED  
 #DRIP RIM SHOWN IN PHANTOM LINES

\*MAXIMUM DIMENSIONS, MAY BE LESS FOR DIFFERENT MAKE MOTORS OR ENCLOSURES.





# HORIZONTAL SPLIT CASE PUMPS MULTI STAGE SINGLE SUCTION Types 3TU13, 3TU13½, 4TU10

## Type TU Outline Dimensions Fabricated Steel Base

Pump Size & Type	Suction Flange Size X ANSI Lb. Rating	Discharge Flange Size X ANSI Lb. Rating	Pump Dimensions in Inches								Pump Weight Lbs.
			Pump Dimensions in Inches								
			CP	M	S	W	X	YY	Z		
3TU13	4 x 125	3 x 250	41.25	9.75	4.75	24.88	12.00	12.00	8.25	805	
3TU13½	4 x 125	3 x 250	41.25	9.75	4.75	24.88	12.00	12.00	8.25	805	
4TU10	5 x 125	4 x 250	41.25	9.75	6.00	24.88	14.00	13.00	6.00	840	

Pump Size & Type	Motor Frame Size	Unit Dimensions in Inches										Base Dimensions in Inches							Weight-Lbs.		
		C*	DM	HC*	HD	HM*	HO	HR	HT	HX	MN	HA	HB	HE	HF	HG	HP	Cplg.	Motor	Base	
3TU13	254T	24	6.25	65.50	14.25	23.50	26.62	3.75	.25	12.62	12.38	18.0	60.0	10.5	24.0	.25	6.0	8	220	183	
	256T	26	6.25	67.50	14.25	23.50	26.62	3.75	.25	12.62	13.25	18.0	60.0	10.5	24.0	.25	6.0	8	240	183	
	284T	27	7.00	68.50	14.00	24.00	26.38	3.75	.25	12.62	14.12	18.0	60.0	10.5	24.0	.25	6.0	12	330	174	
	286T	28	7.00	69.50	14.00	24.00	26.38	3.75	.25	12.62	14.88	18.0	60.0	10.5	24.0	.25	6.0	12	370	174	
	324T	30	8.00	71.50	14.00	25.00	26.38	3.75	.25	12.62	15.75	18.0	60.0	10.5	24.0	.25	6.0	16	475	173	
	326T	32	8.00	73.50	14.00	25.00	26.38	3.75	.25	12.62	16.50	18.0	60.0	10.5	24.0	.25	6.0	16	525	173	
	364TS	32	9.00	73.50	14.00	26.00	26.38	3.75	.25	12.62	15.25	18.0	60.0	10.5	24.0	.25	6.0	12	630	181	
	213T	19	5.25	60.50	15.25	23.50	26.25	4.75	.25	11.62	9.62	23.0	60.0	13.0	24.0	.25	6.0	6	130	214	
	215T	21	5.25	62.50	15.25	23.50	26.25	4.75	.25	11.62	10.38	23.0	60.0	13.0	24.0	.25	6.0	6	180	214	
	254T	24	6.25	65.50	15.25	24.50	26.25	4.75	.25	11.62	12.38	23.0	60.0	13.0	24.0	.25	6.0	8	220	218	
	256T	26	6.25	67.50	15.25	24.50	26.25	4.75	.25	11.62	13.25	23.0	60.0	13.0	24.0	.25	6.0	8	240	218	
	284T	27	7.00	68.50	15.00	25.00	26.00	4.75	.25	11.62	14.12	23.0	60.0	13.0	24.0	.25	6.0	12	330	218	
284TS	25	7.00	66.50	15.00	25.00	26.00	4.75	.25	11.62	12.75	23.0	60.0	13.0	24.0	.25	6.0	8	330	218		
286TS	27	7.00	68.50	15.00	25.00	26.00	4.75	.25	11.62	13.50	23.0	60.0	13.0	24.0	.25	6.0	8	370	218		
324TS	29	8.00	70.50	15.00	26.00	26.00	4.75	.25	11.62	14.25	23.0	60.0	13.0	24.0	.25	6.0	12	475	199		
326TS	30	8.00	71.50	15.00	26.00	26.00	4.75	.25	11.62	15.00	23.0	60.0	13.0	24.0	.25	6.0	12	525	199		
364TS	32	9.00	73.50	16.00	28.00	27.00	7.75	.25	8.62	15.25	24.0	72.0	13.5	30.0	.31	6.0	12	630	303		
365TS	32	9.00	73.50	16.00	27.00	27.00	7.75	.25	8.62	15.75	24.0	72.0	13.5	30.0	.31	6.0	12	690	303		
404TS	35	10.00	76.50	16.00	29.00	27.00	7.75	.25	8.62	17.00	24.0	72.0	13.5	30.0	.31	6.0	16	830	308		
405TS	37	10.00	78.50	16.00	29.00	27.00	7.75	.25	8.62	17.75	24.0	72.0	13.5	30.0	.31	6.0	16	915	308		
444TS	41	11.00	82.50	16.00	30.00	27.00	7.75	.25	8.62	19.50	24.0	72.0	13.5	30.0	.31	6.0	23	1100	290		
445TS	43	11.00	84.50	16.00	30.00	27.00	7.75	.25	8.62	20.50	24.0	72.0	13.5	30.0	.31	6.0	23	1270	290		

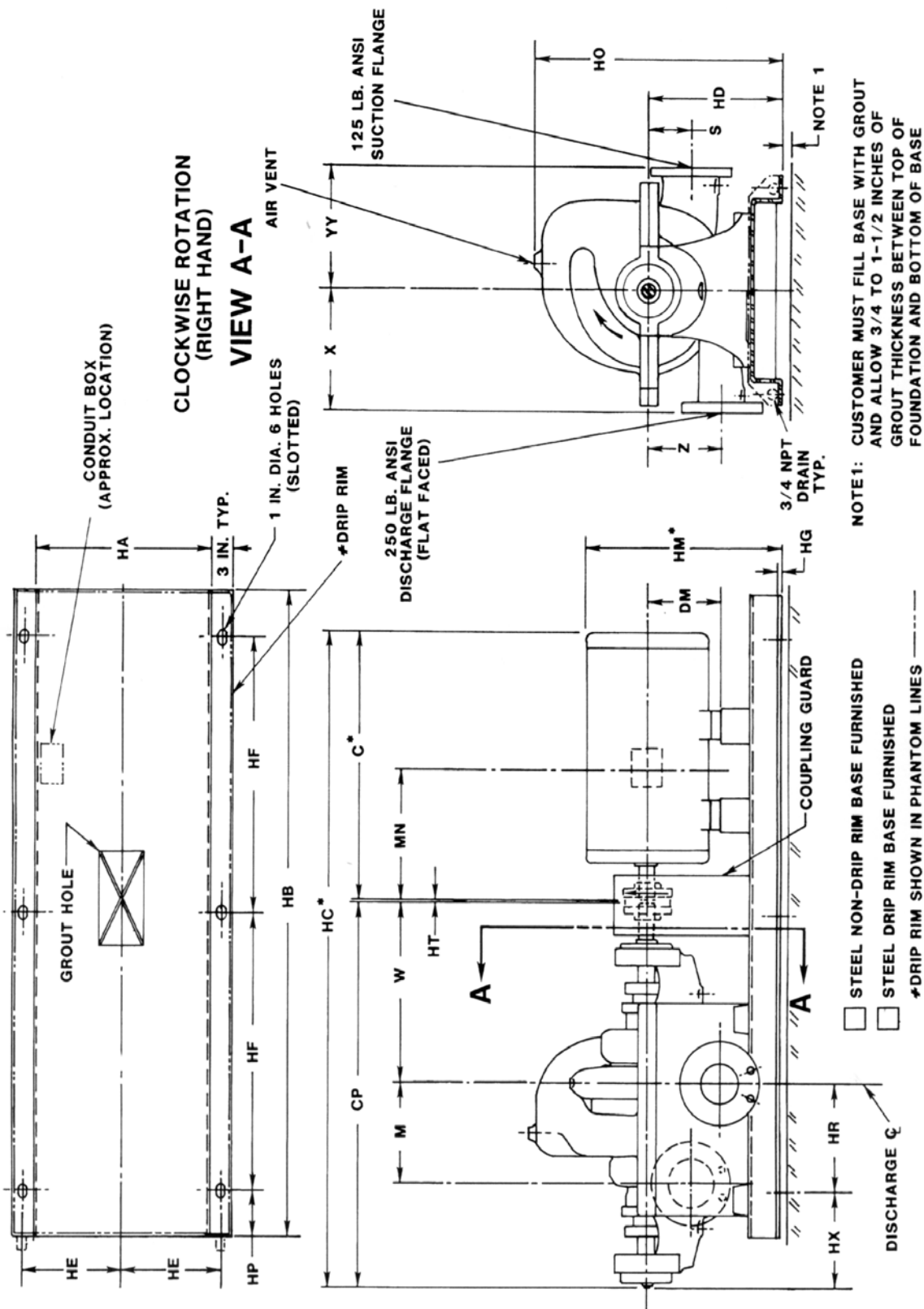
TOTAL UNIT WEIGHT \_\_\_\_\_ LBS.

CUSTOMER \_\_\_\_\_ JOB NAME \_\_\_\_\_  
 P.O. NUMBER \_\_\_\_\_ ITEM NO. \_\_\_\_\_  
 S.O. NO. \_\_\_\_\_ SERIAL NO. \_\_\_\_\_  
 MOTOR MFR. \_\_\_\_\_ ENCL. \_\_\_\_\_ FRAME \_\_\_\_\_ H.P. \_\_\_\_\_ VOLTS \_\_\_\_\_ PH. \_\_\_\_\_ HZ.  
 PUMP MODEL \_\_\_\_\_ NO. STGS. \_\_\_\_\_ RPM. \_\_\_\_\_ G.P.M. \_\_\_\_\_ TOTAL HD. FT. \_\_\_\_\_  
 CERTIFIED FOR  APPROVAL  CONSTRUCTION BY \_\_\_\_\_ DATE \_\_\_\_\_

**HORIZONTAL SPLIT CASE PUMPS  
 MULTI STAGE SINGLE SUCTION  
 Type 4TU14**



Peerless Pump Company  
 Indianapolis, IN 46207-7026



NOTE 1: CUSTOMER MUST FILL BASE WITH GROUT AND ALLOW 3/4 TO 1-1/2 INCHES OF GROUT THICKNESS BETWEEN TOP OF FOUNDATION AND BOTTOM OF BASE

- STEEL NON-DRIP RIM BASE FURNISHED
- STEEL DRIP RIM BASE FURNISHED
- #DRIP RIM SHOWN IN PHANTOM LINES

\*MAXIMUM DIMENSIONS, MAY BE LESS FOR DIFFERENT MAKE MOTORS OR ENCLOSURES.



# HORIZONTAL SPLIT CASE PUMPS MULTI STAGE SINGLE SUCTION Type 4TU14

## Type TU Outline Dimensions Fabricated Steel Base

Pump Size & Type	Suction Flange Size X ANSI Lb. Rating	Discharge Flange Size X ANSI Lb. Rating	Pump Dimensions in Inches							Pump Weight Lbs.
			CP	M	S	W	X	YY	Z	
4TU14	5 x 125	4 x 250	45.38	11.12	5.50	21.62	14.00	14.00	9.00	1140

Pump Size & Type	Motor Frame Size	Unit Dimensions in Inches										Base Dimensions in Inches						Weight-Lbs.		
		C*	DM	HC*	HD	HIM*	HO	HR	HT	HX	MN	HA	HB	HE	HF	HG	HP	Cplg.	Motor	Base
4TU14	284T	27	7.00	72.62	17.00	27.00	31.00	10.00	.25	13.75	14.12	23.0	60.0	13.0	24.0	.25	6.0	12	330	260
	286T	28	7.00	73.62	18.00	28.00	32.00	12.00	.25	11.75	14.88	24.0	72.0	13.5	30.0	.31	6.0	12	370	365
	324T	30	8.00	75.62	18.00	29.00	32.00	12.00	.25	11.75	15.75	24.0	72.0	13.5	30.0	.31	6.0	16	475	367
	326T	32	8.00	77.62	18.00	29.00	32.00	12.00	.25	11.75	16.50	24.0	72.0	13.5	30.0	.31	6.0	16	525	367
	364TS	32	9.00	77.62	18.00	30.00	32.00	12.00	.25	11.75	15.25	24.0	72.0	13.5	30.0	.31	6.0	12	630	372
	365TS	32	9.00	77.62	18.00	30.00	32.00	12.00	.25	11.75	15.75	24.0	72.0	13.5	30.0	.31	6.0	16	690	372
	404TS	35	10.00	80.62	18.00	31.00	32.00	12.00	.25	11.75	17.00	24.0	72.0	13.5	30.0	.31	6.0	16	830	345
405TS	37	10.00	82.62	18.00	31.00	32.00	12.00	.25	11.75	17.75	24.0	72.0	13.5	30.0	.31	6.0	23	915	345	
444TS	41	11.00	86.62	18.00	32.00	32.00	12.00	.25	11.75	19.50	24.0	72.0	13.5	30.0	.31	6.0	23	1100	349	

TOTAL UNIT WEIGHT \_\_\_\_\_ LBS.

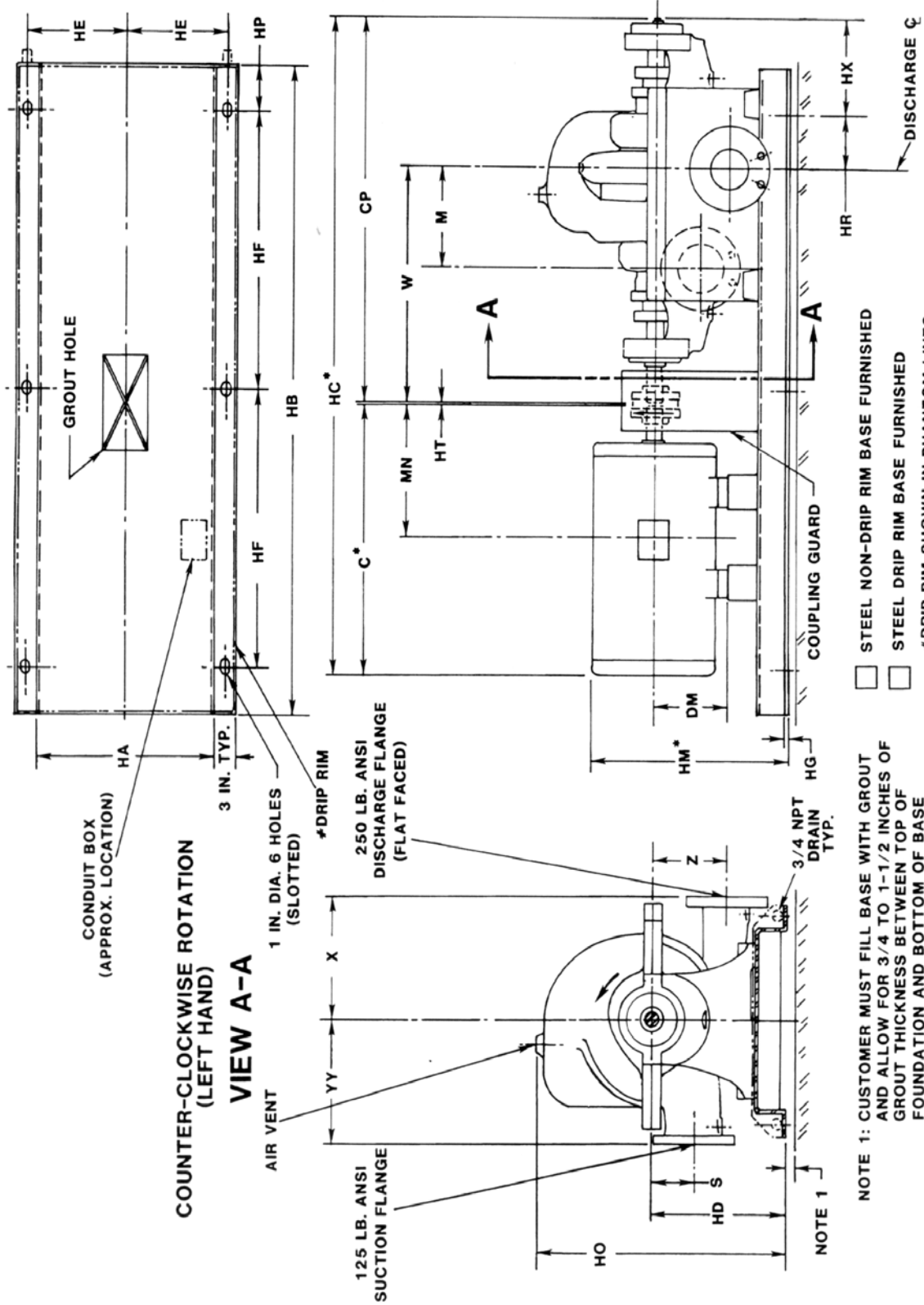
CUSTOMER \_\_\_\_\_ JOB NAME \_\_\_\_\_  
 P.O. NUMBER \_\_\_\_\_ ITEM NO. \_\_\_\_\_  
 S.O. NO. \_\_\_\_\_ SERIAL NO. \_\_\_\_\_  
 MOTOR MFR. \_\_\_\_\_ ENCL. \_\_\_\_\_ FRAME \_\_\_\_\_ H.P. \_\_\_\_\_ VOLTS \_\_\_\_\_ PH. \_\_\_\_\_ HZ.  
 PUMP MODEL \_\_\_\_\_ NO. STGS. \_\_\_\_\_ RPM. \_\_\_\_\_ G.P.M. \_\_\_\_\_ TOTAL HD. FT. \_\_\_\_\_  
 CERTIFIED FOR  APPROVAL  CONSTRUCTION BY \_\_\_\_\_ DATE \_\_\_\_\_

*Subject to change unless certified for construction.*

**HORIZONTAL SPLIT CASE PUMPS  
 MULTI STAGE SINGLE SUCTION  
 Type 4TU14**



Peerless Pump Company  
 Indianapolis, IN 46207-7026



NOTE 1: CUSTOMER MUST FILL BASE WITH GROUT AND ALLOW FOR 3/4 TO 1-1/2 INCHES OF GROUT THICKNESS BETWEEN TOP OF FOUNDATION AND BOTTOM OF BASE

STEEL NON-DRIP RIM BASE FURNISHED  
 STEEL DRIP RIM BASE FURNISHED  
 #DRIP RIM SHOWN IN PHANTOM LINES

\* MAXIMUM DIMENSIONS, MAY BE LESS FOR DIFFERENT MAKE MOTORS OR ENCLOSURES.



# HORIZONTAL SPLIT CASE PUMPS MULTI STAGE SINGLE SUCTION Type 4TU14

## Type TU Outline Dimensions Fabricated Steel Base

Pump Size & Type	Suction Flange Size X ANSI Lb. Rating	Discharge Flange Size X ANSI Lb. Rating	Pump Dimensions in Inches							Pump Weight Lbs.
			CP	M	S	W	X	YY	Z	
4TU14	5 x 125	4 x 250	45.38	11.12	5.50	27.62	14.00	14.00	9.00	1140

Pump Size & Type	Motor Frame Size	Unit Dimensions in Inches										Base Dimensions in Inches						Weight-Lbs.		
		C*	DM	HC*	HD	HM*	HO	HR	HT	HX	MN	HA	HB	HE	HF	HG	HP	Cplg.	Motor	Base
4TU14	284T	27	7.00	72.62	17.00	27.00	31.00	4.00	.25	13.75	14.12	23.0	60.0	13.0	24.0	.25	6.0	12	330	260
	286T	28	7.00	73.62	18.00	28.00	32.00	6.00	.25	11.75	14.88	24.0	72.0	13.5	30.0	.31	6.0	12	370	365
	324T	30	8.00	75.62	18.00	29.00	32.00	6.00	.25	11.75	15.75	24.0	72.0	13.5	30.0	.31	6.0	16	475	367
	326T	32	8.00	77.62	18.00	29.00	32.00	6.00	.25	11.75	16.50	24.0	72.0	13.5	30.0	.31	6.0	16	525	367
	364TS	32	9.00	77.62	18.00	30.00	32.00	6.00	.25	11.75	15.25	24.0	72.0	13.5	30.0	.31	6.0	12	630	372
	365TS	32	9.00	77.62	18.00	30.00	32.00	6.00	.25	11.75	15.75	24.0	72.0	13.5	30.0	.31	6.0	16	690	372
	404TS	35	10.00	80.62	18.00	31.00	32.00	6.00	.25	11.75	17.00	24.0	72.0	13.5	30.0	.31	6.0	16	830	345
	405TS	37	10.00	82.62	18.00	31.00	32.00	6.00	.25	11.75	17.75	24.0	72.0	13.5	30.0	.31	6.0	23	915	345
444TS	41	11.00	86.62	18.00	32.00	32.00	6.00	.25	11.75	19.50	24.0	72.0	13.5	30.0	.31	6.0	23	1100	349	

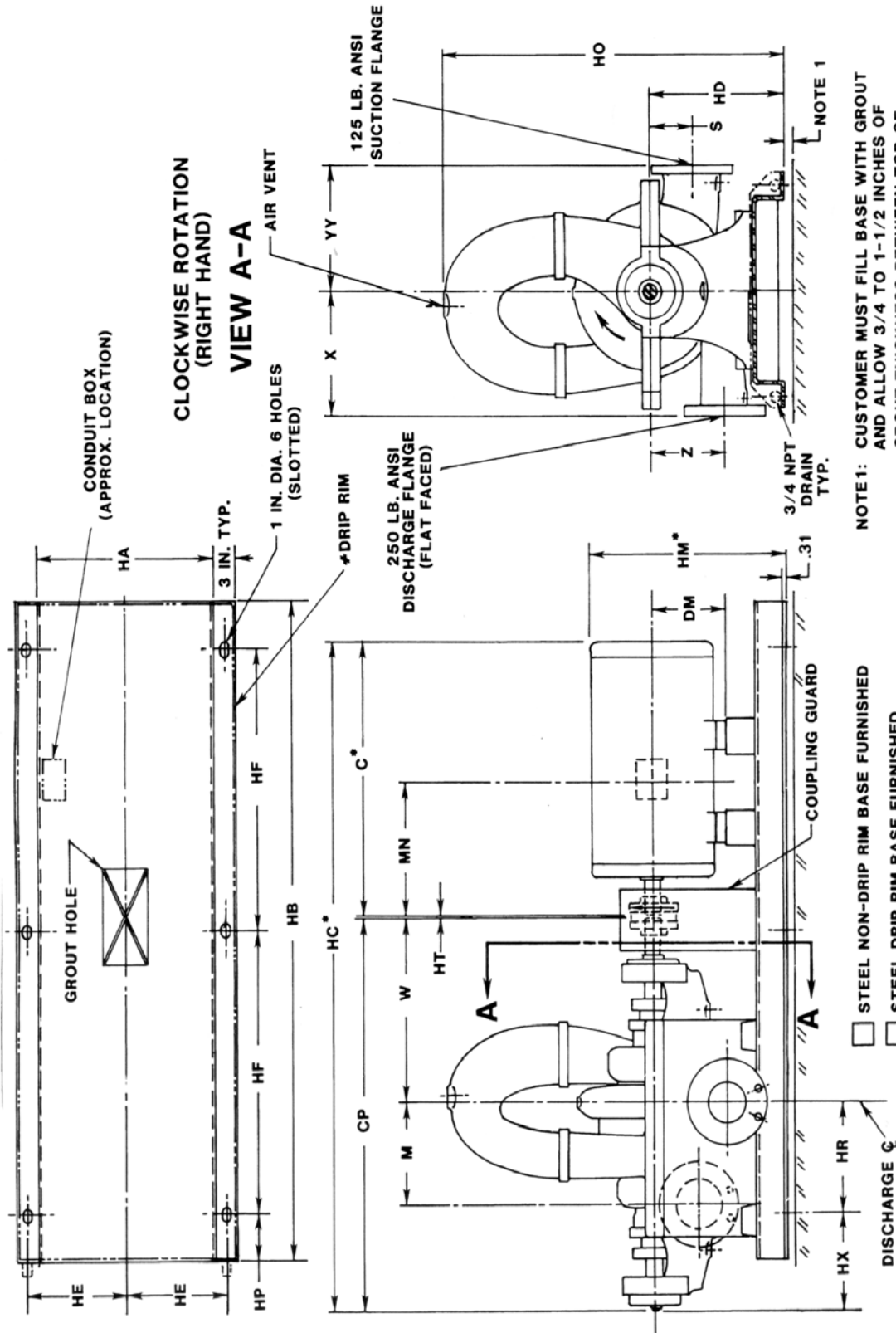
TOTAL UNIT WEIGHT \_\_\_\_\_ LBS.

CUSTOMER \_\_\_\_\_ JOB NAME \_\_\_\_\_  
 P.O. NUMBER \_\_\_\_\_ ITEM NO. \_\_\_\_\_  
 S.O. NO. \_\_\_\_\_ SERIAL NO. \_\_\_\_\_  
 MOTOR MFR. \_\_\_\_\_ ENCL. \_\_\_\_\_ FRAME \_\_\_\_\_ H.P. \_\_\_\_\_ VOLTS \_\_\_\_\_ PH. \_\_\_\_\_ HZ.  
 PUMP MODEL \_\_\_\_\_ NO. STGS. \_\_\_\_\_ RPM. \_\_\_\_\_ G.P.M. \_\_\_\_\_ TOTAL HD. FT. \_\_\_\_\_  
 CERTIFIED FOR  APPROVAL  CONSTRUCTION BY \_\_\_\_\_ DATE \_\_\_\_\_  
*Subject to change unless certified for construction.*

# HORIZONTAL SPLIT CASE PUMPS MULTI STAGE SINGLE SUCTION Types 5TU13, 5TU15



Peerless Pump Company  
Indianapolis, IN 46207-7026



NOTE 1: CUSTOMER MUST FILL BASE WITH GROUT  
AND ALLOW 3/4 TO 1-1/2 INCHES OF  
GROUT THICKNESS BETWEEN TOP OF  
FOUNDATION AND BOTTOM OF BASE

- STEEL NON-DRIP RIM BASE FURNISHED
- STEEL DRIP RIM BASE FURNISHED
- #DRIP RIM SHOWN IN PHANTOM LINES

\* MAXIMUM DIMENSIONS, MAY BE LESS FOR DIFFERENT MAKE MOTORS OR ENCLOSURES.



# HORIZONTAL SPLIT CASE PUMPS MULTI STAGE SINGLE SUCTION Types 5TU13, 5TU15

## Type TU Outline Dimensions Fabricated Steel Base

Pump Size & Type	Suction Flange Size X ANSI Lb. Rating	Discharge Flange Size X ANSI Lb. Rating	Pump Dimensions in Lbs.						Pump Weight Lbs.
			CP	M	S	W	X	YY	
5TU15	6 x 125	5 x 250	49.88	12.81	6.0	23.50	16.00	10.00	1605
5TU13	6 x 125	5 x 250	56.00	12.81	7.0	26.88	15.00	8.75	1200

Pump Size & Type	Motor Frame Size	Unit Dimensions in Inches										Base Dimensions in Inches						Weight-Lbs.	
		C*	DM	HC*	HD	HM*	HO	HR	HT	HX	MN	HA	HB	HE	HF	HP	Cplg.	Motor	Base
5TU15	284T	27	7.00	77.12	18.00	28.00	46.50	13.00	.25	13.38	14.12	24.0	72.0	13.5	30.0	6.0	12	330	330
	286T	28	7.00	78.12	18.00	28.00	46.50	13.00	.25	13.38	14.88	24.0	72.0	13.5	30.0	6.0	12	370	330
	324T	30	8.00	80.12	18.00	29.00	46.50	13.00	.25	13.38	15.75	24.0	72.0	13.5	30.0	6.0	16	475	331
	326T	32	8.00	82.12	18.00	29.00	46.50	13.00	.25	13.38	16.50	24.0	72.0	13.5	30.0	6.0	16	525	331
	364T	34	9.00	84.12	18.00	30.00	46.50	13.00	.25	13.38	17.38	24.0	72.0	13.5	30.0	6.0	23	630	336
	365TS	32	9.00	82.12	18.00	30.00	46.50	13.00	.25	13.38	15.25	24.0	72.0	13.5	30.0	6.0	16	630	336
	404TS	35	10.00	85.12	18.00	31.00	46.50	13.00	.25	13.38	15.75	24.0	72.0	13.5	30.0	6.0	16	690	336
	405TS	37	10.00	87.12	18.00	31.00	46.50	13.00	.25	13.38	17.00	24.0	72.0	13.5	30.0	6.0	23	830	312
	444TS	41	11.00	91.12	18.00	32.00	46.50	13.00	.25	13.38	17.75	24.0	72.0	13.5	30.0	6.0	23	915	312
	445TS	43	11.00	93.12	18.00	32.00	46.50	13.00	.25	13.38	19.50	24.0	84.0	13.5	36.0	6.0	23	1100	359
5TU13	445TS	43	11.00	99.25	19.00	33.00	45.75	14.00	.25	15.12	20.50	24.0	84.0	13.5	36.0	6.0	39	1270	404
	447TS	47	11.00	103.25	19.00	33.00	45.75	14.00	.25	15.12	22.25	24.0	84.0	13.5	36.0	6.0	56	1320	404

TOTAL UNIT WEIGHT \_\_\_\_\_ LBS.

TOTAL UNIT WEIGHT \_\_\_\_\_ LBS.

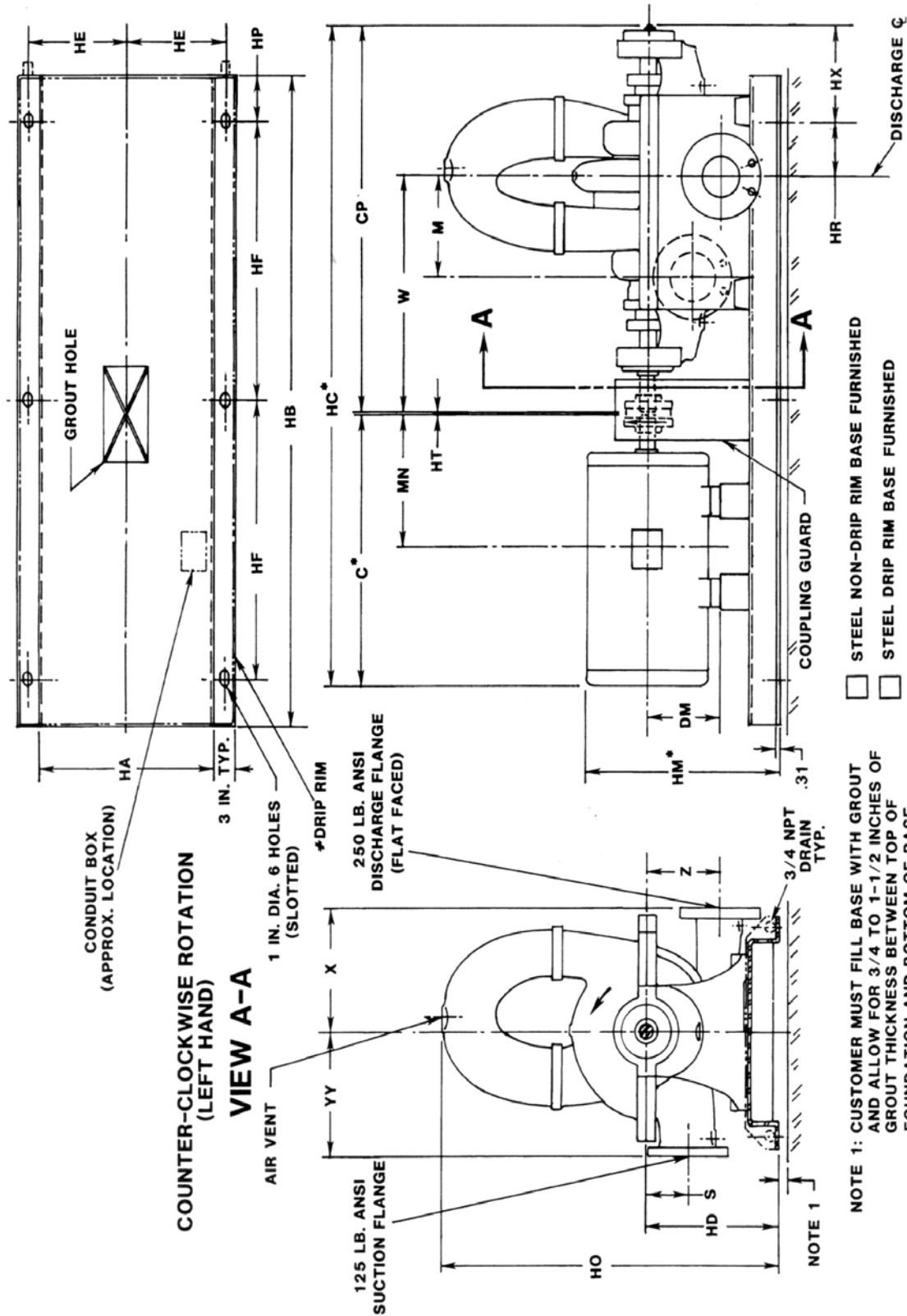
CUSTOMER \_\_\_\_\_ JOB NAME \_\_\_\_\_  
 P.O. NUMBER \_\_\_\_\_ ITEM NO. \_\_\_\_\_  
 S.O. NO. \_\_\_\_\_ SERIAL NO. \_\_\_\_\_  
 MOTOR MFR. \_\_\_\_\_ ENCL. \_\_\_\_\_ FRAME \_\_\_\_\_ H.P. \_\_\_\_\_ VOLTS \_\_\_\_\_ PH. \_\_\_\_\_ HZ. \_\_\_\_\_  
 PUMP MODEL \_\_\_\_\_ NO. STGS. \_\_\_\_\_ RPM. \_\_\_\_\_ G.P.M. \_\_\_\_\_ TOTAL HD. FT. \_\_\_\_\_  
 CERTIFIED FOR  APPROVAL  CONSTRUCTION BY \_\_\_\_\_ DATE \_\_\_\_\_

Subject to change unless certified for construction.

**HORIZONTAL SPLIT CASE PUMPS  
 MULTI STAGE SINGLE SUCTION  
 Types 5TU13, 5TU15**



Peerless Pump Company  
 Indianapolis, IN 46207-7026







# HORIZONTAL SPLIT CASE PUMPS MULTI STAGE SINGLE SUCTION Types 5TU13, 5TU15

## Type TU Outline Dimensions Fabricated Steel Base

Pump Size & Type	Suction Flange Size X ANSI Lb. Rating	Discharge Flange Size X ANSI Lb. Rating	Pump Dimensions in Inches						Pump Weight Lbs.	
			CP	M	S	W	X	YY		Z
5TU15	6 x 125	5 x 250	49.88	12.81	6.0	30.25	16.00	16.00	10.00	1605
5TU13	6 x 125	5 x 250	56.00	12.81	7.0	33.62	15.00	15.00	8.75	1200

Pump Size & Type	Motor Frame Size	Unit Dimensions in Inches										Base Dimensions in Inches						Weight-Lbs.	
		C*	DM	HC*	HD	HM*	HO	HR	HT	HX	MN	HA	HB	HE	HF	HP	Cplg.	Motor	Base
5TU15	284T	27	7.00	77.12	18.00	28.00	46.50	6.25	.25	13.38	14.12	24.0	72.0	13.5	30.0	6.0	12	330	330
	286T	28	7.00	78.12	18.00	28.00	46.50	6.25	.25	13.38	14.88	24.0	72.0	13.5	30.0	6.0	12	370	330
	324T	30	8.00	80.12	18.00	29.00	46.50	6.25	.25	13.38	15.75	24.0	72.0	13.5	30.0	6.0	16	475	331
	326T	32	8.00	82.12	18.00	29.00	46.50	6.25	.25	13.38	16.50	24.0	72.0	13.5	30.0	6.0	16	525	331
	364T	34	9.00	84.12	18.00	30.00	46.50	6.25	.25	13.38	17.38	24.0	72.0	13.5	30.0	6.0	23	630	336
	364TS	31	9.00	81.12	18.00	30.00	46.50	6.25	.25	13.38	15.25	24.0	72.0	13.5	30.0	6.0	16	630	336
	365TS	32	9.00	82.12	18.00	30.00	46.50	6.25	.25	13.38	15.75	24.0	72.0	13.5	30.0	6.0	16	690	336
	404TS	35	10.00	85.12	18.00	31.00	46.50	6.25	.25	13.38	17.00	24.0	72.0	13.5	30.0	6.0	23	830	312
	444TS	41	11.00	91.12	18.00	32.00	46.50	6.25	.25	13.38	19.50	24.0	84.0	13.5	36.0	6.0	23	1100	359
	445TS	43	11.00	93.12	18.00	32.00	46.50	6.25	.25	13.38	20.50	24.0	84.0	13.5	36.0	6.0	23	1270	359
5TU13	445TS	43	11.00	99.25	19.00	33.00	45.75	7.25	.25	15.12	20.50	24.0	84.0	13.5	36.0	6.0	39	1270	404
	447TS	47	11.00	103.25	19.00	33.00	45.75	7.25	.25	15.12	22.25	24.0	84.0	13.5	36.0	6.0	56	1320	404

TOTAL UNIT WEIGHT \_\_\_\_\_ LBS.

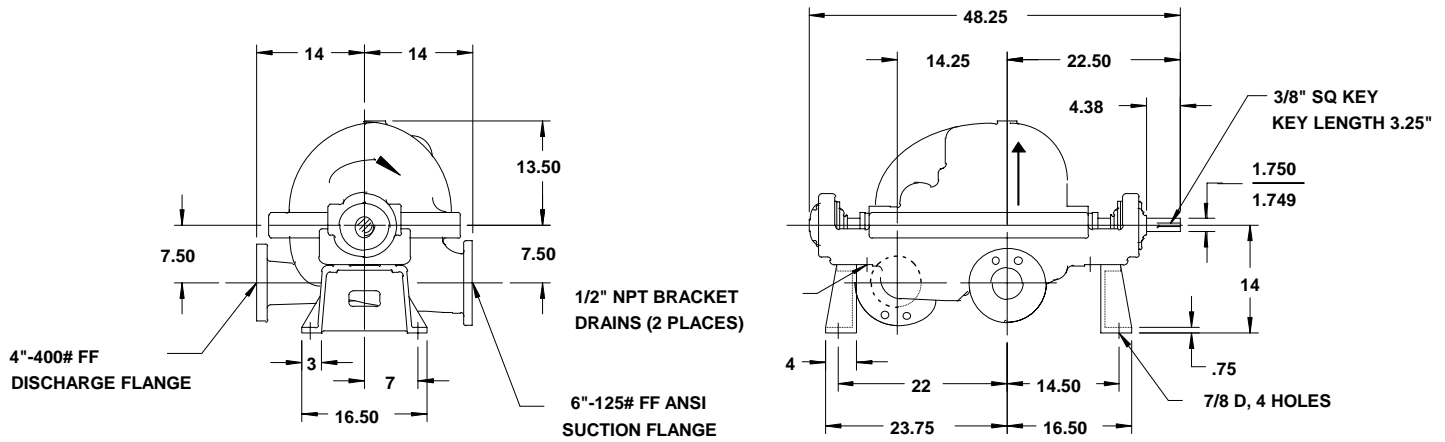
CUSTOMER \_\_\_\_\_ JOB NAME \_\_\_\_\_  
 P.O. NUMBER \_\_\_\_\_ SERIAL NO. \_\_\_\_\_  
 S.O. NO. \_\_\_\_\_ ENCL. \_\_\_\_\_ FRAME \_\_\_\_\_ H.P. \_\_\_\_\_ VOLTS \_\_\_\_\_ PH. \_\_\_\_\_ HZ.  
 PUMP MFR. \_\_\_\_\_ NO. STGS. \_\_\_\_\_ RPM. \_\_\_\_\_ G.P.M. \_\_\_\_\_ TOTAL HD. FT. \_\_\_\_\_  
 PUMP MODEL \_\_\_\_\_ BY \_\_\_\_\_ DATE \_\_\_\_\_  
 CERTIFIED FOR  APPROVAL  CONSTRUCTION

Subject to change unless certified for construction.

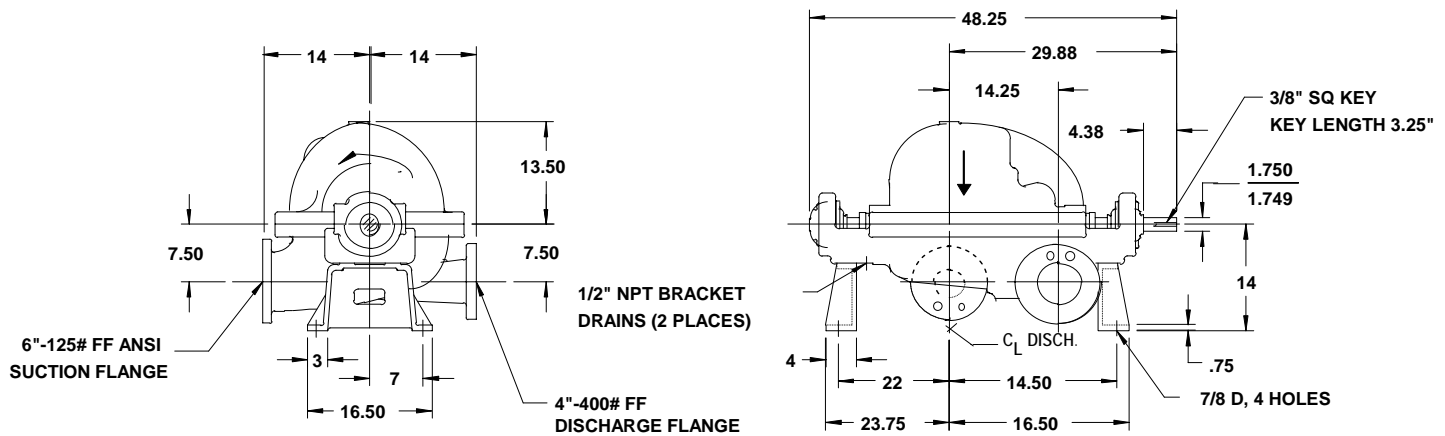
**BLANK**



**Pump Dimensions RH (CW) Rotation  Furnished**



**Pump Dimensions LH (CCW) Rotation  Furnished**



Customer	_____	Job Name	_____
P. O. No.	_____	Item No.	_____
Invoice No.	_____	Serial No	_____
Motor Mfr.	Enclosure	Hp.	Volts
Pump Size &, Type	<b>4TU11</b>	RPM	Phase
		US GPM	Total Head in Ft

**DT 4853882**

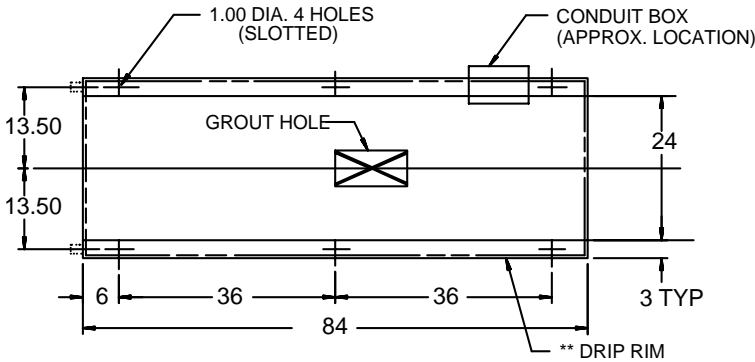
*Subject to change unless certified for construction*

**HORIZONTAL SPLIT CASE MULTISTAGE  
 SINGLE SUCTION PUMPS  
 Type 4TU11**



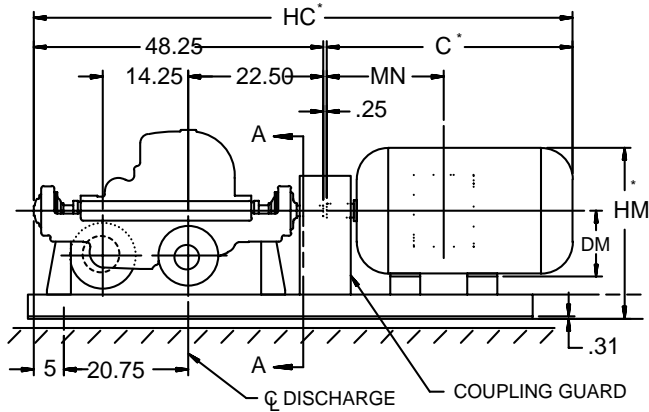
**Peerless Pump Company**  
 Indianapolis, IN 46207-7026

**Unit Outline Dimensions RH (CW) Rotation**

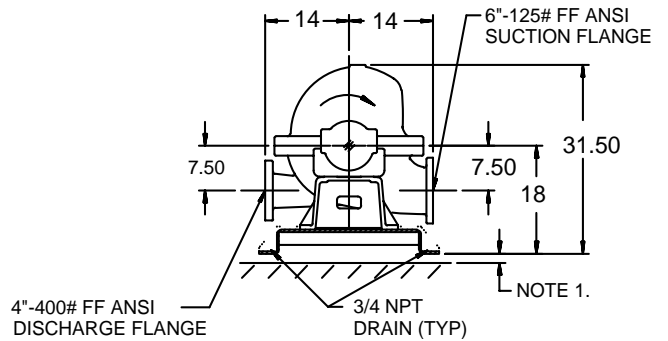


NOTE 1. CUSTOMER MUST FILL BASE WITH GROUT AND ALLOW FOR .75 TO 1.50 INCH GROUT THICKNESS BETWEEN TOP OF FOUNDATION AND BOTTOM OF BASE.

NOTE 2. UNIT INSTALLATION AND FINAL COUPLING ALIGNMENT MUST BE DONE BY THE INSTALLING CONTRACTOR PER STERLING SYSTEMS (USA), INC. BULLETIN 2880549.



CLOCKWISE ROTATION  
 (RIGHT HAND)  
 VIEW A-A



- STEEL NON-DRIP RIM BASE FURNISHED
- STEEL DRIP RIM BASE FURNISHED
- (\*\* SHOWN IN PHANTOM LINES — — — — —)

✓	Pump Size & Type	Motor Frame Size	Unit Dimensions In Inches					Weight-Lb				
			C*	DM	HC*	HM*	MN	Pump	Cplg.	Motor ODP	Base	Total
	4TU11	365TS	32	9	80.5	27.50	15.75	1380	16	690	400	2486
	4TU11	404TS	35	10	83.5	28.50	17.00	1380	23	830	400	2633
	4TU11	405TS	37	10	85.5	28.50	17.75	1380	23	915	400	2718
	4TU11	444TS	41	11	89.5	29.75	19.50	1380	39	1100	400	2919
	4TU11	445TS	43	11	91.5	29.75	20.50	1380	39	1270	400	3089

**\*Maximum dimensions, may be less with different make motors or enclosures**

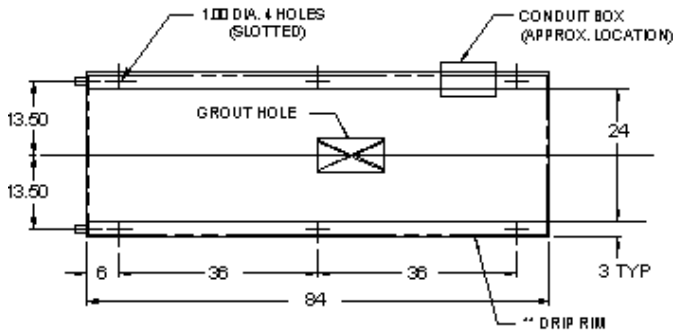
Customer _____	Job Name _____
P. O. No. _____	Item No. _____
Invoice No. _____	Serial No _____
Motor Mfr. _____	Enclosure _____ Hp. _____ Volts _____
Pump Size & Type _____	Phase _____ Hz _____
_____ <b>4TU11</b> _____	_____ Total Head in Ft _____
_____ RPM _____	_____ US GPM _____

**DT 4853883**

*Subject to change unless certified for construction*

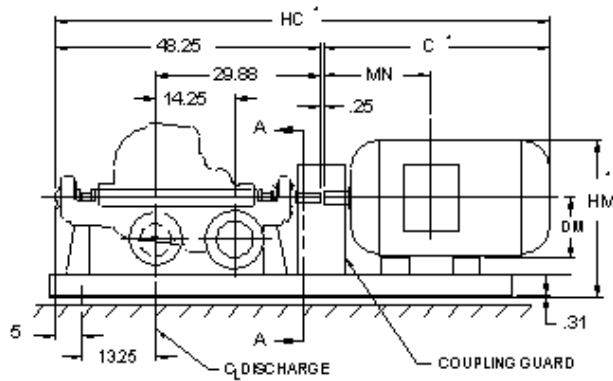


**Unit Outline Dimensions LH (CCW) Rotation**



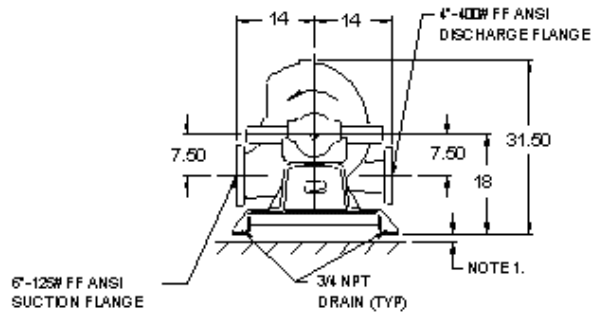
NOTE 1. CUSTOMER MUST FILL BASE WITH GROUT AND ALLOW FOR .75 TO 1.50 INCH GROUT THICKNESS BETWEEN TOP OF FOUNDATION AND BOTTOM OF BASE.

NOTE 2. UNIT INSTALLATION AND FINAL COUPLING ALIGNMENT MUST BE DONE BY THE INSTALLING CONTRACTOR PER STERLING FLUID SYSTEMS (USA), INC. BULLETIN 2880549.



COUNTER-CLOCKWISE ROTATION  
(LEFT HAND)

VIEW A-A



- STEEL NON-DRIP RIM BASE FURNISHED
- STEEL DRIP RIM BASE FURNISHED (\*\* SHOWN IN PHANTOM LINES)

✓	Pump Size & Type	Motor Frame Size	Unit Dimensions In Inches					Weight-Lbs.				
			C*	DM	HC*	HM*	MN	Pump	Cplg	Motor ODP	Base	Total
	4TU11	365TS	32	9	80.5	27.50	15.75	1380	16	690	400	2486
	4TU11	404TS	35	10	83.5	28.50	17.00	1380	23	830	400	2633
	4TU11	405TS	37	10	85.5	28.50	17.75	1380	23	915	400	2718
	4TU11	444TS	41	11	89.5	29.75	19.50	1380	39	1100	400	2919
	4TU11	445TS	43	11	91.5	29.75	20.50	1380	39	1270	400	3089

\*Maximum dimensions, may be less with different make motors or enclosures

Customer \_\_\_\_\_ Job Name \_\_\_\_\_  
P. O. No. \_\_\_\_\_ Item No. \_\_\_\_\_  
Invoice No. \_\_\_\_\_ Serial No \_\_\_\_\_  
Motor Mfr. \_\_\_\_\_ Enclosure \_\_\_\_\_ Hp. \_\_\_\_\_ Volts \_\_\_\_\_ Phase \_\_\_\_\_ Hz \_\_\_\_\_  
Pump Size &, Type 4TU11 RPM \_\_\_\_\_ US GPM \_\_\_\_\_ Total Head in Ft \_\_\_\_\_

Subject to change unless certified for construction

**BLANK**