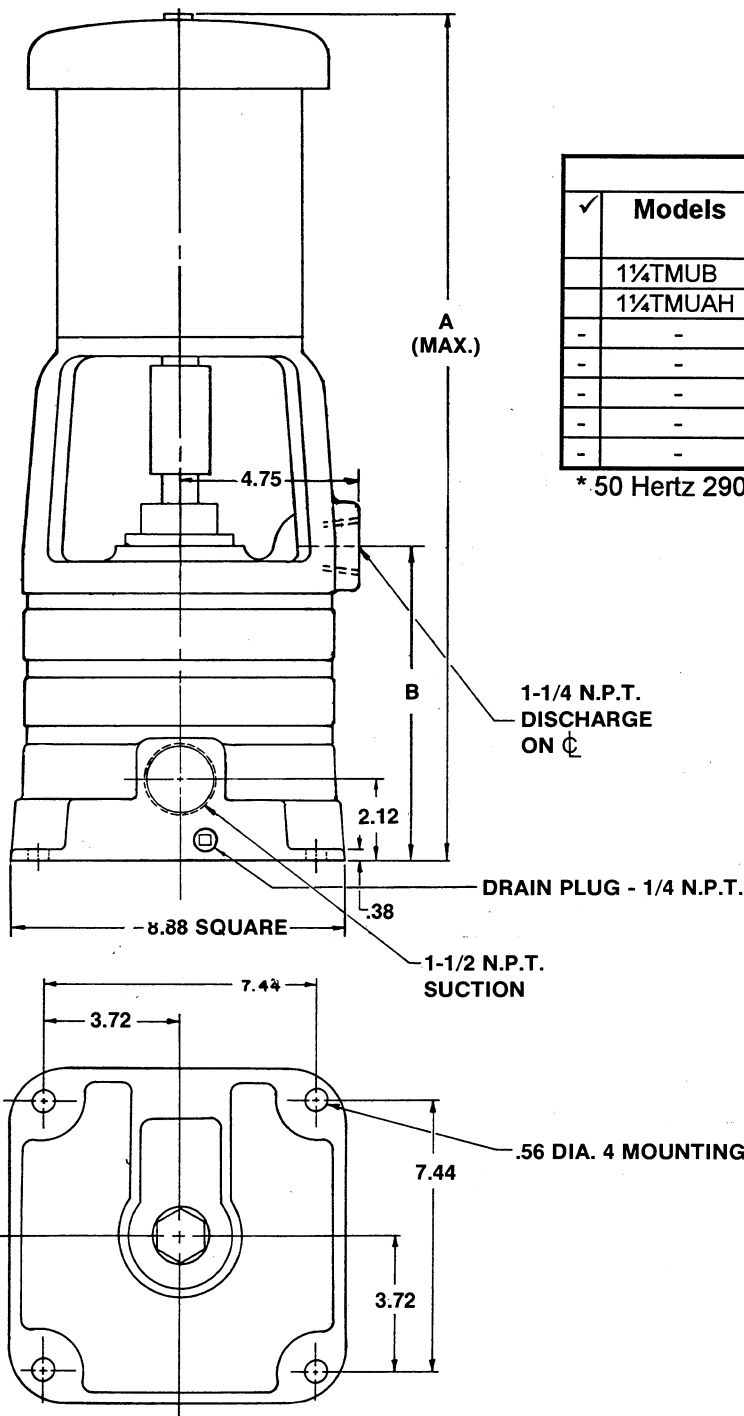


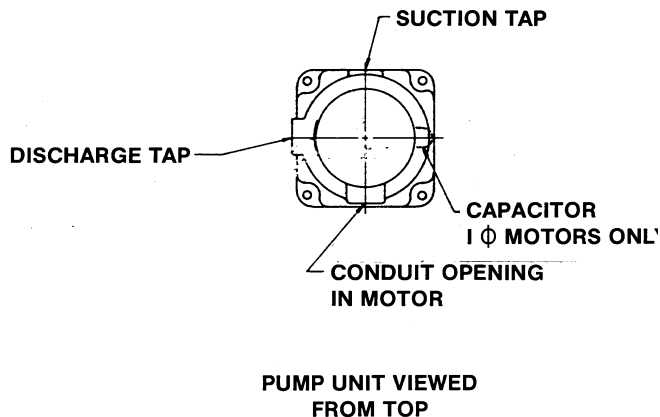
# VERTICAL MULTISTAGE DIFFUSER PUMPS

Types J, TMUB, TMUAH



Unit Dimensions in Inches							
✓	Models	✓	Models	✓	No. of Stages	A	B
	1 1/4 TMUB		J65E, J65F		2	30.50	8.66
	1 1/4 TMUAH		J85E, J85F		3	32.44	10.59
-	-	-	J100G, J100H	-	4	34.38	12.52
-	-	-	J125G, J125H	-	5	38.00	14.44
-	-	-	-	-	6	39.94	16.37
-	-	-	-	-	7*	41.88	18.30
-	-	-	-	-	8*	43.81	20.22

\* 50 Hertz 2900 rpm only



CUSTOMER \_\_\_\_\_ JOB NAME \_\_\_\_\_  
P.O. NO. \_\_\_\_\_ ITEM NO. \_\_\_\_\_  
S.O. NO. \_\_\_\_\_ SERIAL NO. \_\_\_\_\_  
MOTOR MFR. \_\_\_\_\_ ENCL. \_\_\_\_\_ FRAME \_\_\_\_\_ H.P. \_\_\_\_\_ VOLTS \_\_\_\_\_ PH. \_\_\_\_\_ HZ. \_\_\_\_\_  
PUMP TYPE & SIZE \_\_\_\_\_ RPM \_\_\_\_\_ G.P.M. \_\_\_\_\_ TOTAL HD. FT. \_\_\_\_\_  
CERTIFIED FOR  APPROVAL  CONSTRUCTION BY \_\_\_\_\_ DATE \_\_\_\_\_

Subject to change unless certified for construction.

**DT 2898976**  
Rev. 10-94