

✓ Pump Type and Size	DIMENSIONS			APPROXIMATE WEIGHTS LBS.				
	A	B	C	3 ft. Basin Depth Pump	Add for each Additional 6" Basin Depth	MOTOR		
						.50Hp	1.0Hp	3Hp
VCSNS3A	14.92	7.35	5.09	455	15	30	40	75
VCSLMB3A	15.00	8.15	3.68					

ALL DIMENSIONS ARE IN INCHES

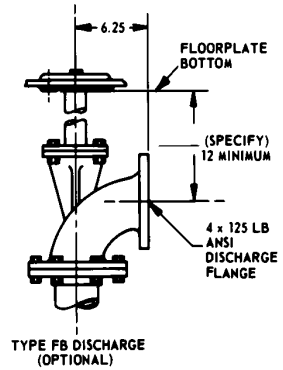
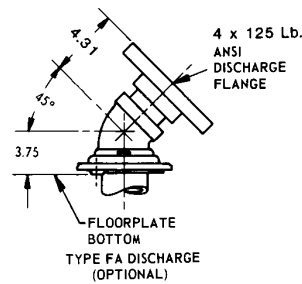
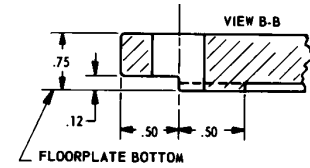
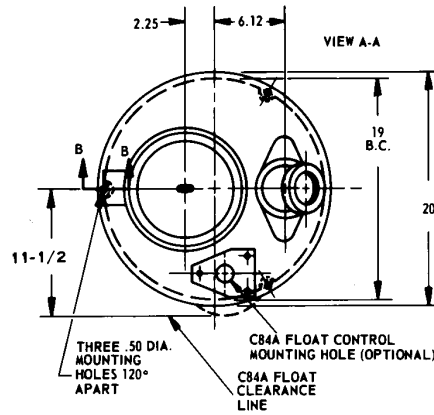
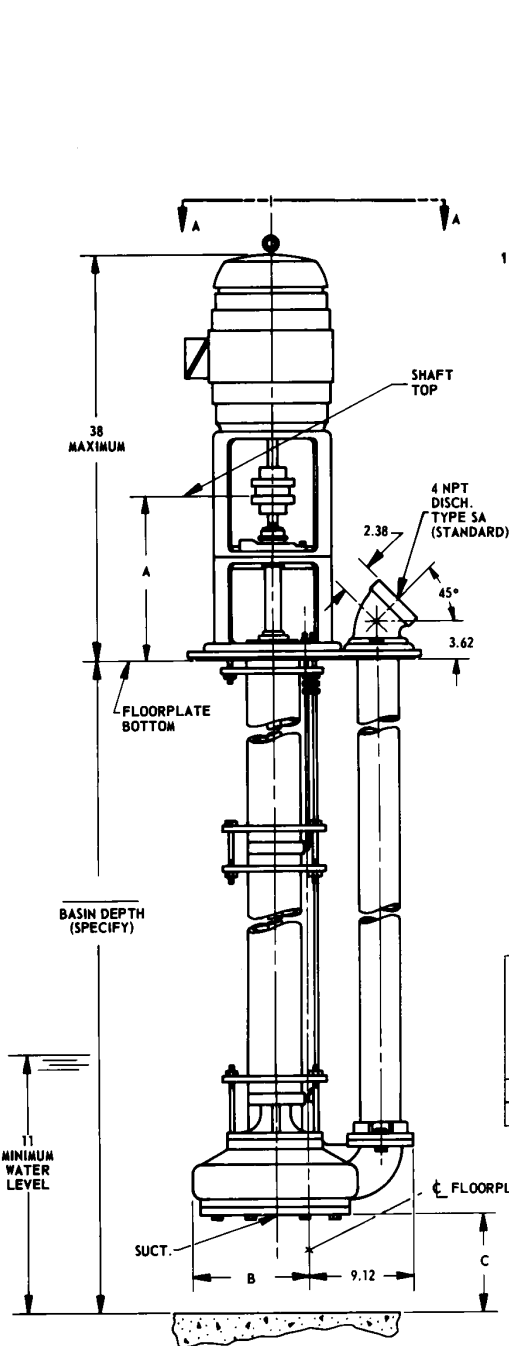
Note: This drawing applies to units manufactured after April 25, 1985.

CUSTOMER _____ JOB NAME _____
P.O. NO. _____ ITEM NO. _____
S.O. NO. _____ SERIAL NO. _____
MOTOR MFR. _____ ENCL. _____ FRAME _____ H. P. _____ VOLTS _____ PH. _____ HZ. _____
PUMP TYPE & SIZE _____ RPM _____ TOTAL HEAD FT. _____ G.P.M. _____ BASIN DEPTH _____
BASIN DIA. _____ TOTAL WEIGHT LBS. _____
TYPE DISCHARGE CONNECTION [] SA [] FA [] SB C84A FLOAT CONTROL MTG. HOLE [] FURNISHED [] NOT FURN.
CERTIFIED FOR: [] APPROVAL [] CONSTRUCTION BY _____ DATE _____
Subject To Change Unless Certified For Construction

VERTICAL SEWAGE PUMPS
Type VCSNSC4A, VCSLMBC4A



Peerless Pump Company
 Indianapolis, IN 46207-7026

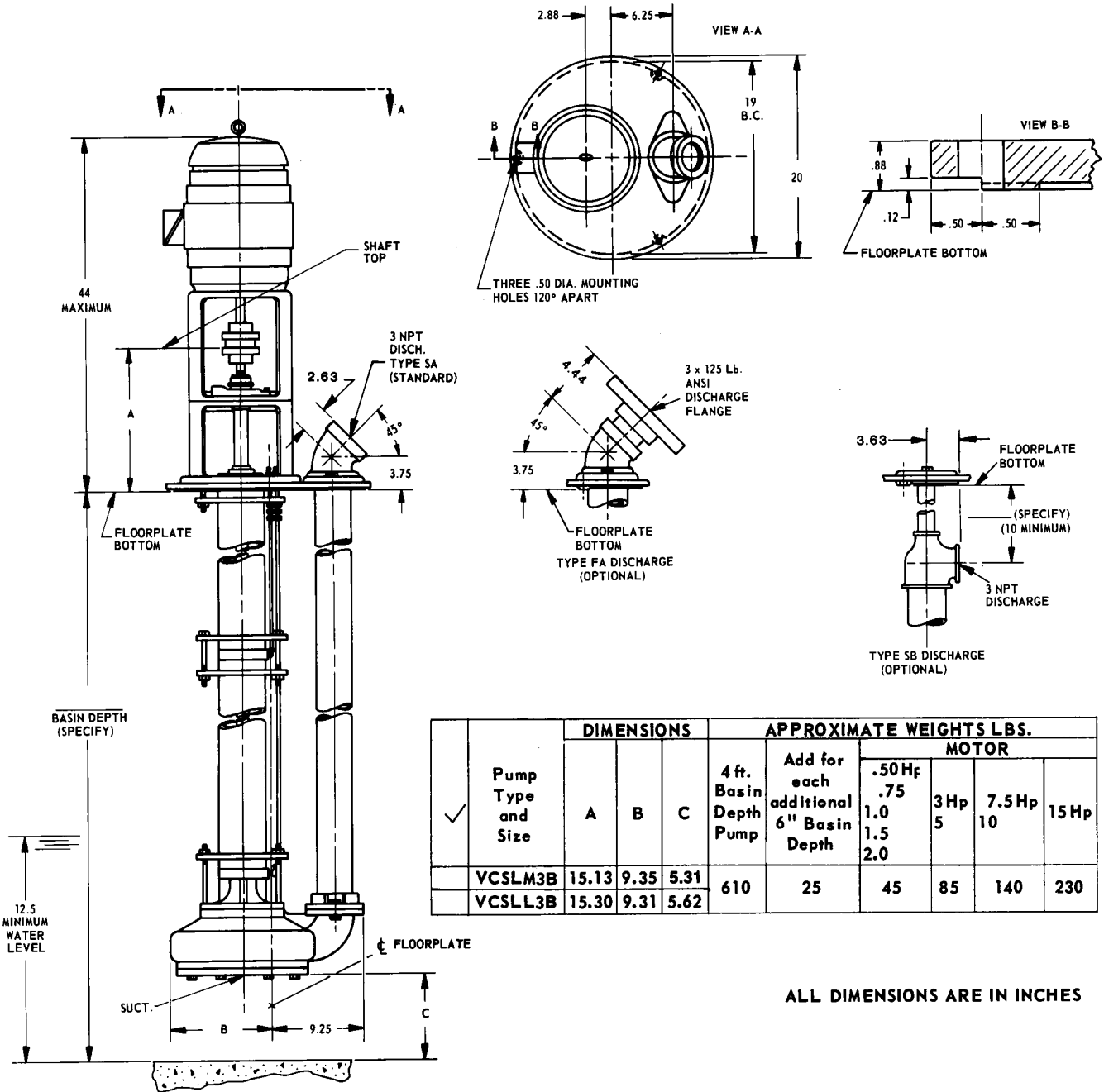


✓ Pump Type and Size	DIMENSIONS			APPROXIMATE WEIGHTS LBS.				
	A	B	C	3 ft. Basin Depth Pump	Add for each Additional 6" Basin Depth	MOTOR		
						.50 Hp	1.0 Hp	3 Hp
VCSNSC4A	14.92	7.35	5.09	455	15	30	40	75
VCSLMBC4A	15.00	8.15	3.68					

ALL DIMENSIONS ARE IN INCHES

Note: This drawing applies to units manufactured after April 25, 1985.

CUSTOMER _____ JOB NAME _____
 P.O. NO. _____ ITEM NO. _____
 S.O. NO. _____ SERIAL NO. _____
 MOTOR MFR. _____ ENCL. _____ FRAME _____ H. P. _____ VOLTS _____ PH. _____ HZ. _____
 PUMP TYPE & SIZE _____ RPM _____ TOTAL HEAD FT. _____ G.P.M. _____ BASIN DEPTH _____
 BASIN DIA. _____ TOTAL WEIGHT LBS. _____
 TYPE DISCHARGE CONNECTION [] SA [] FA [] SB
 CERTIFIED FOR: [] APPROVAL [] CONSTRUCTION BY _____ C84A FLOAT CONTROL MTG. HOLE [] FURNISHED [] NOT FURN.
 DATE _____
 Subject To Change Unless Certified For Construction



✓	Pump Type and Size	DIMENSIONS			APPROXIMATE WEIGHTS LBS.					
		A	B	C	4 ft. Basin Depth Pump	Add for each additional 6" Basin Depth	MOTOR			
							.50Hp	.75	3Hp	7.5Hp
VCSLM3B	15.13	9.35	5.31	610	25	45	85	140	230	
VCSLL3B	15.30	9.31	5.62							

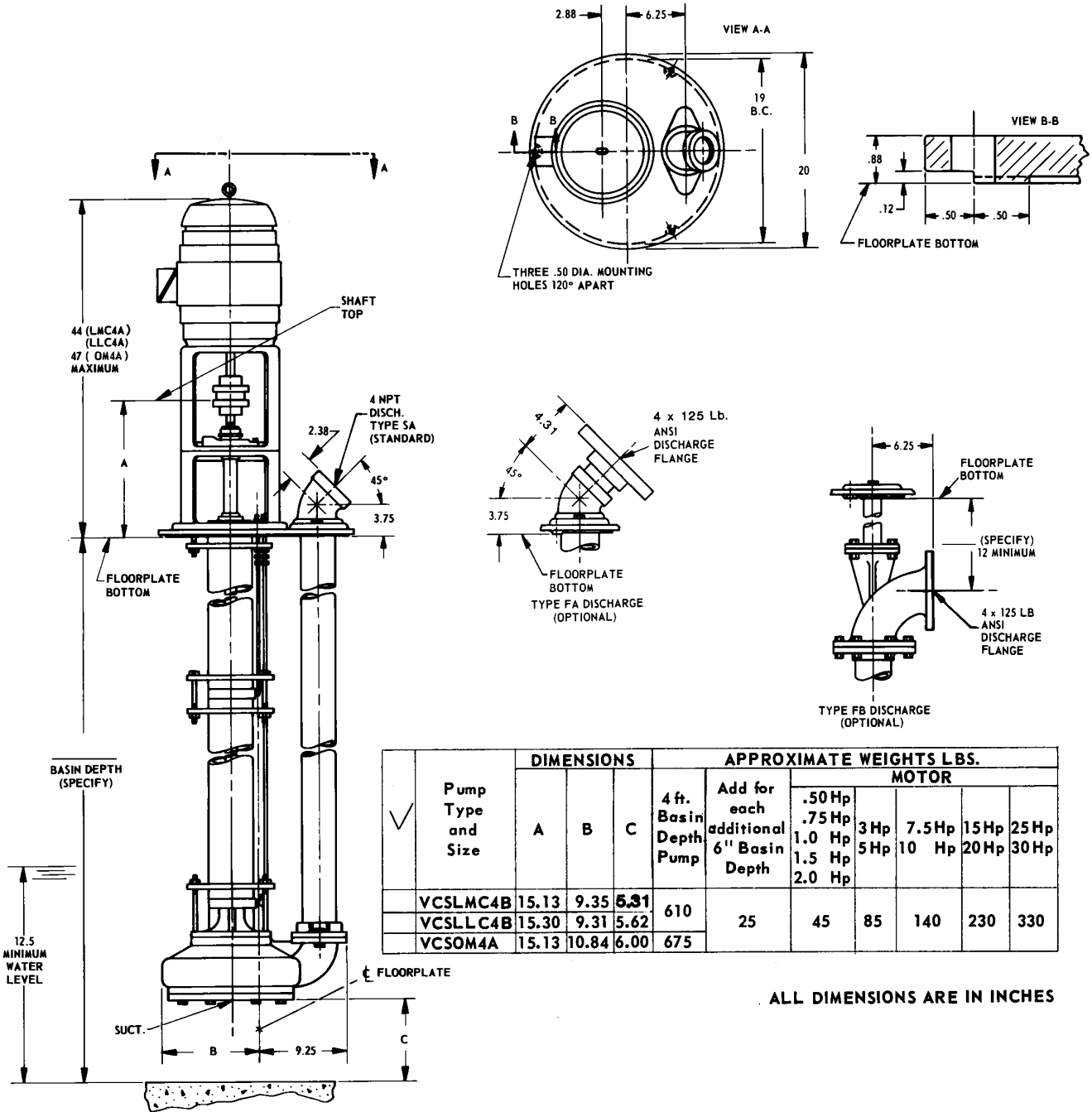
ALL DIMENSIONS ARE IN INCHES

CUSTOMER _____ JOB NAME _____
P.O. NO. _____ ITEM NO. _____
S.O. NO. _____ SERIAL NO. _____
MOTOR MFR. _____ ENCL. _____ FRAME _____ H. P. _____ VOLTS _____ PH. _____ HZ. _____
PUMP TYPE & SIZE _____ RPM _____ TOTAL HEAD FT. _____ G.P.M. _____ BASIN DEPTH _____
BASIN DIA. _____ TOTAL WEIGHT LBS. _____
TYPE DISCHARGE CONNECTION [] SA [] FA [] SB
CERTIFIED FOR [] APPROVAL [] CONSTRUCTION BY _____ DATE _____
Subject To Change Unless Certified For Construction

VERTICAL SEWAGE PUMPS
 Type VCSLMC4B, VCSLLC4B,
 VCSOMC4B



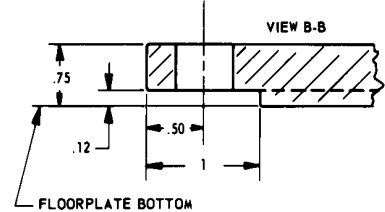
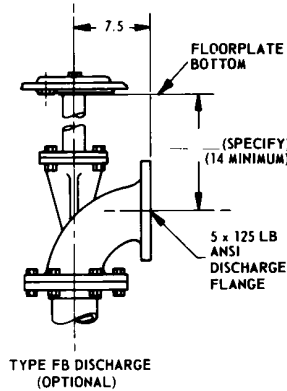
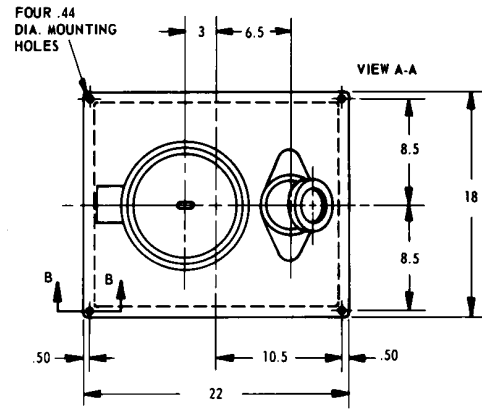
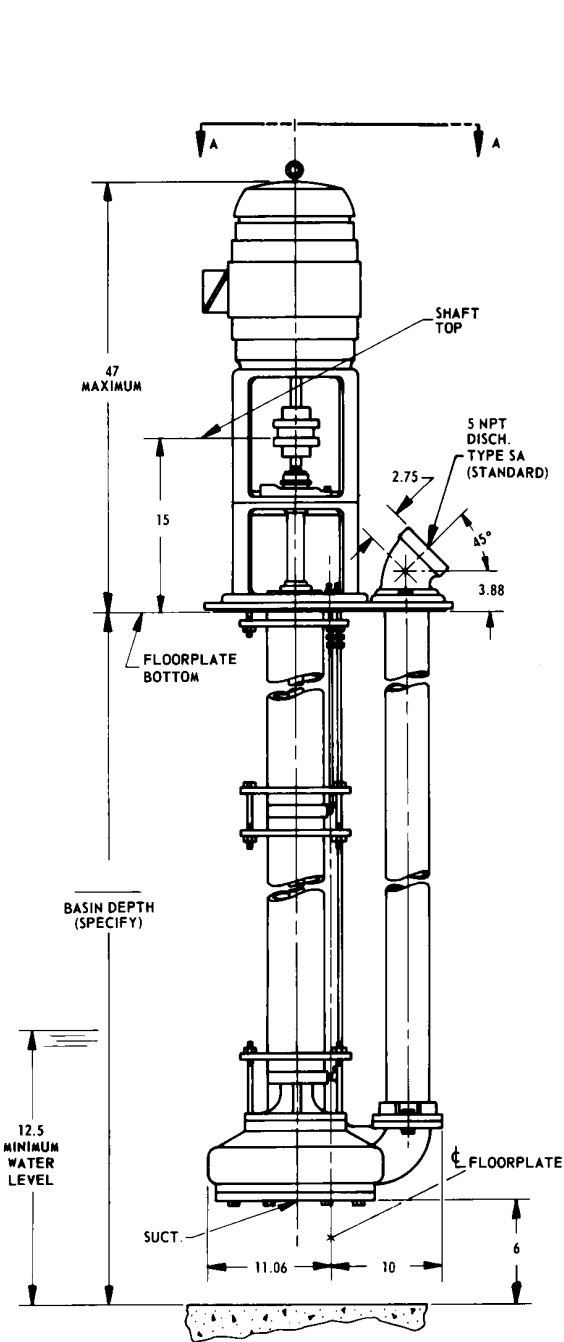
Peerless Pump Company
 Indianapolis, IN 46207-7026



Pump Type and Size	DIMENSIONS			APPROXIMATE WEIGHTS LBS.										
	A	B	C	4 ft. Basin Depth Pump	Add for each additional 6" Basin Depth	MOTOR								
						.50 Hp	.75 Hp	1.0 Hp	1.5 Hp	2.0 Hp	3 Hp	7.5 Hp	15 Hp	25 Hp
VCSLMC4B	15.13	9.35	5.31	610	25	45	85	140	230	330				
VCSLLC4B	15.30	9.31	5.62											
VCSOM4A	15.13	10.84	6.00	675										

ALL DIMENSIONS ARE IN INCHES

CUSTOMER _____ JOB NAME _____
 P.O. NO. _____ ITEM NO. _____
 S.O. NO. _____ SERIAL NO. _____
 MOTOR MFR. _____ ENCL. _____ FRAME _____ H. P. _____ VOLTS _____ PH. _____ HZ. _____
 PUMP TYPE & SIZE _____ RPM _____ TOTAL HEAD FT. _____ G.P.M. _____ BASIN DEPTH _____
 BASIN DIA. _____ TOTAL WEIGHT LBS. _____
 TYPE DISCHARGE CONNECTION [] SA [] FA [] SB
 CERTIFIED FOR: [] APPROVAL [] CONSTRUCTION BY _____ DATE _____
Subject To Change Unless Certified For Construction



APPROXIMATE WEIGHTS LBS.						
6 ft. Basin Depth Pump	Add for each additional 6" Basin Depth	MOTOR				
		1.0 Hp	3 Hp	7.5 Hp	15 Hp	25 Hp
		1.5 Hp	5 Hp	10 Hp	20 Hp	30 Hp
755	25	65	85	140	230	330

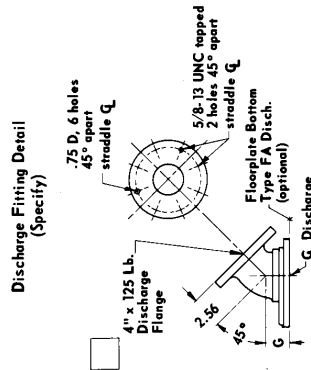
ALL DIMENSIONS ARE IN INCHES

CUSTOMER _____ JOB NAME _____
P.O. NO. _____ ITEM NO. _____
S.O. NO. _____ SERIAL NO. _____
MOTOR MFR. _____ ENCL. _____ FRAME _____ H. P. _____ VOLTS _____ PH. _____ HZ. _____
PUMP TYPE & SIZE _____ RPM _____ TOTAL HEAD FT. _____ G.P.M. _____ BASIN DEPTH _____
BASIN DIA. _____ TOTAL WEIGHT LBS. _____
TYPE DISCHARGE CONNECTION [] SA [] FA [] SB
CERTIFIED FOR [] APPROVAL [] CONSTRUCTION BY _____ DATE _____
Subject To Change Unless Certified For Construction

Blank

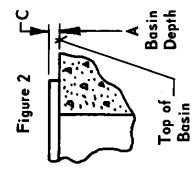
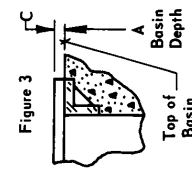
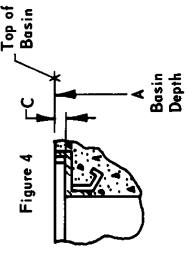


VERTICAL SEWAGE PUMPS
Type VCS Flush Kleen Fittings
Size 6 x 4 Type F Series P
Above Grade Discharge



Type Basin	Fig. No.	Type Cover Mounting	Depth Basin Inlet Specify	Cover Thickness
Cast Iron	1	Top of Basin	A	C
Concrete (no curb ring)	2	Top of Basin	B	1.25
Concrete (w/cast iron curb ring)	3	Flush with Floor	B	.44
Steel	1	Top of Basin	A	1.25
Fiberglass	1	Flush with Floor	B	.44
Concrete (w/steel curb ring)	4	Flush with Floor	B	.44
Cast Iron		Top of Basin	A	1.25

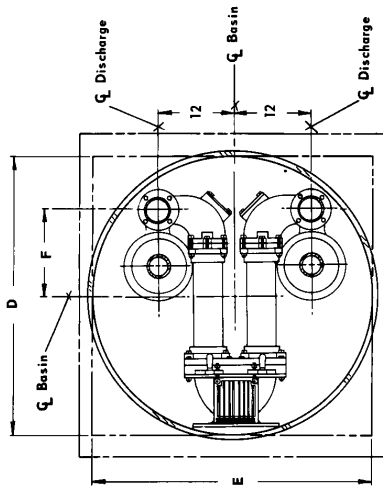
Type	Basin Size (Inside Dimensions)				VCNCSCAA	
	D	E	F	G	VCNCSCAA	VCNCSLBCAA
Round	48	48	13.25	13.12	13.12	13.12
	60	60	10.25	10.12	10.12	10.12
	72	72	10.25	10.12	10.12	10.12
Square	48	48	13.25	13.12	13.12	13.12
	60	60	7.25	7.12	7.12	7.12
	72	72	10.25	10.12	10.12	10.12
Rect.	48	54, 60, 66, 72	13.25	13.12	13.12	13.12
	60	60, 66, 72	13.25	13.12	13.12	13.12
	72	66, 72	13.25	13.12	13.12	13.12



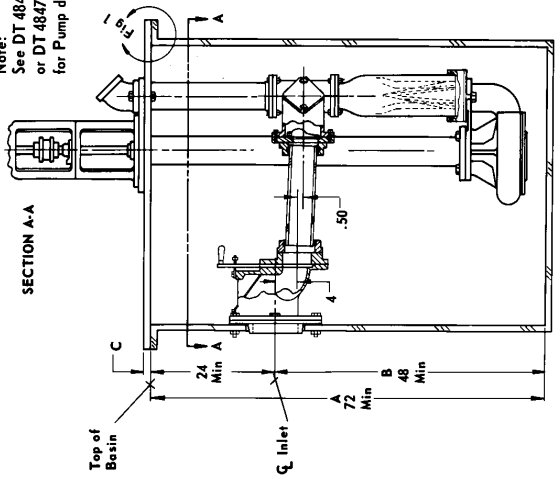
Pump Size	G	K
VCNCSLBCAB	3.56	3.56
VCNCSLBCAB	3.56	3.56
VCNCSLBCAB	3.44	3.44
VCNCSLBCAA	3.44	3.44

Dim. G, K includes gasket thickness.

ALL DIMENSIONS ARE IN INCHES



Note: See DT 4847487 or DT 4847489 for Pump details



CUSTOMER _____ JOB NAME _____
 P.O. NO. _____ ITEM NO. _____
 S.O. NO. _____ SERIAL NO. _____
 MOTOR MFR. _____ ENCL. _____ FRAME _____ H. P. _____ VOLTS _____ PH. _____ HZ. _____
 PUMP TYPE & SIZE _____ RPM _____ TOTAL HEAD FT. _____ G.P.M. _____ BASIN DEPTH _____
 BASIN DIA. _____ TOTAL WEIGHT LBS. _____
 CERTIFIED FOR [] APPROVAL [] CONSTRUCTION BY _____ DATE _____
 Subject To Change Unless Certified For Construction

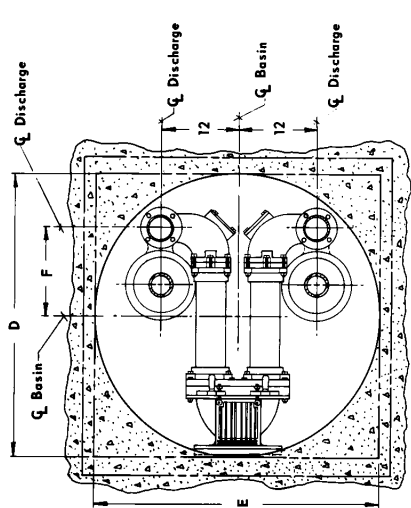
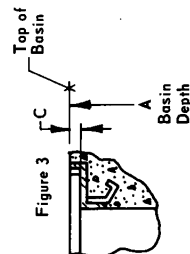
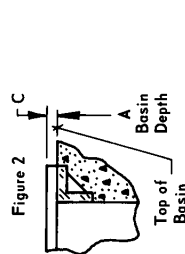
VERTICAL SEWAGE PUMPS
Type VCS Flush Kleen Fittings
Size 6 x 4 Type F Series P
Below Grade Discharge



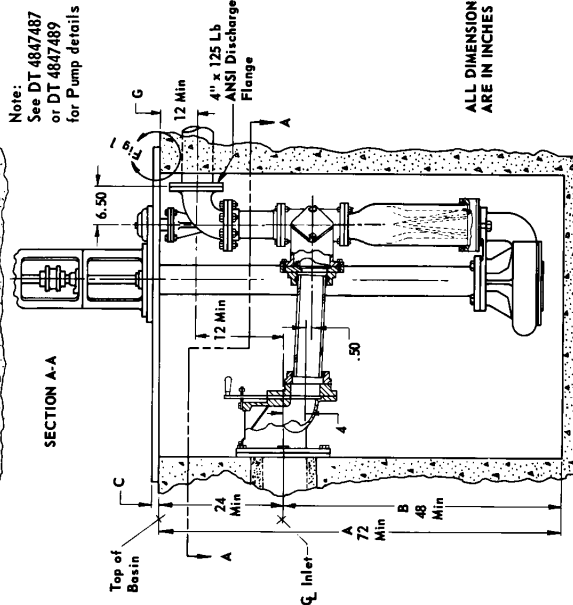
Peerless Pump Company
Indianapolis, IN 46207-7026

TYPE	BASIN SIZE (INSIDE DIMENSIONS)			VCSLBC4A VCSLBC4A
	D	E	F	
ROUND	60	60	10.25	F
	72	72	10.25	
SQUARE	48	48	13.25	F
	60	60	7.25	
RECT.	48	54, 60, 66, 72	10.25	F
	60	60, 66, 72	13.25	
	72	66, 72	13.25	

TYPE BASIN	FIG. NO.	TYPE COVER MOUNTING	TYPE COVER	DEPTH BASIN SPECIFY	COVER THICKNESS	Q _{INLET} SPECIFY	Q _{DISCH.} SPECIFY
CONCRETE (no curb ring)	1	TOP OF BASIN	STEEL		.44		
CONCRETE (w/cast iron curb ring)	2	FLUSH WITH FLOOR	CAST IRON		1.25		
CONCRETE (w/steel curb ring)	3	FLUSH WITH FLOOR	STEEL		.44		



Note: See DT 4847487 or DT 4847489 for Pump details

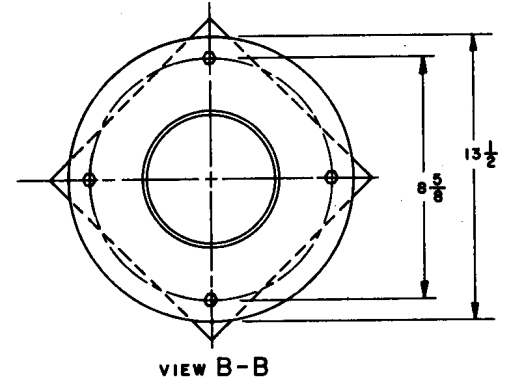
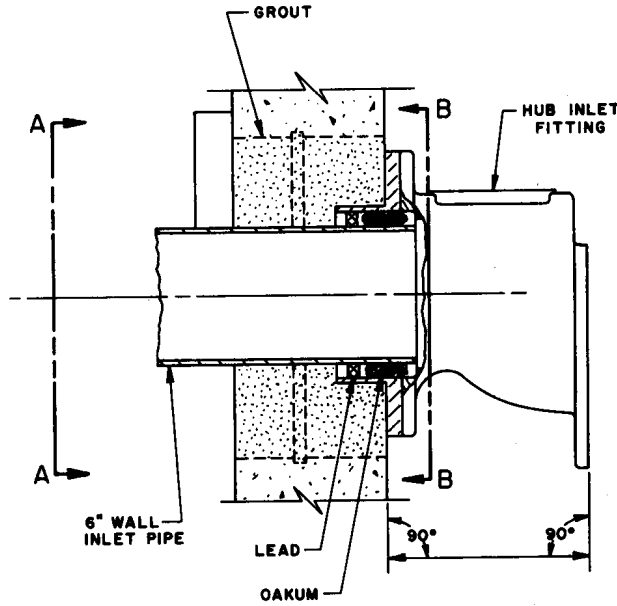


CUSTOMER _____ JOB NAME _____
P.O. NO. _____ ITEM NO. _____
S.O. NO. _____ SERIAL NO. _____
MOTOR MFR. _____ ENCL. _____ FRAME _____ H. P. _____ VOLTS _____ PH. _____ HZ. _____
PUMP TYPE & SIZE _____ RPM _____ TOTAL HEAD FT. _____ G.P.M. _____ BASIN DEPTH _____
BASIN DIA. _____ TOTAL WEIGHT LBS. _____
CERTIFIED FOR: [] APPROVAL [] CONSTRUCTION BY _____ DATE _____
Subject To Change Unless Certified For Construction

DRWG NO. 4848664

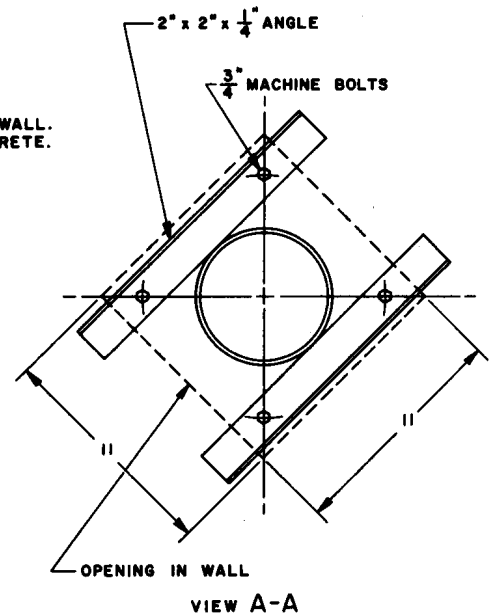


VERTICAL SEWAGE PUMPS
Type VCS Flush Kleen Fittings
Size 6 x 4 Type F Series P
Concrete Mounted Inlet Hub
Installation Details



WHEN POURING BASIN LEAVE AN OPENING IN WALL AS SHOWN.
CAULK WALL INLET PIPE INTO HUB INLET FITTING BEFORE PLACING IN POSITION ON WALL.
BOLT HUB INLET ASSEMBLY TO WALL, AS SHOWN, AND GROUT IN PLACE WITH CONCRETE.

NOTE: ANGLES, BOLTS, NUTS, LEAD, AND OAKUM FURNISHED BY OTHERS.
BOLTS MUST BE 3" LONGER THAN WALL THICKNESS.



Inlet Hub Weight Lbs. _____

CUSTOMER _____ JOB NAME _____
P.O. NO. _____ ITEM NO. _____
S.O. NO. _____ SERIAL NO. _____
MOTOR MFR. _____ ENCL. _____ FRAME _____ H. P. _____ VOLTS _____ PH. _____ HZ. _____
PUMP TYPE & SIZE _____ RPM _____ TOTAL HEAD FT. _____ G.P.M. _____ BASIN DEPTH _____
BASIN DIA. _____ TOTAL WEIGHT LBS. _____
CERTIFIED FOR [] APPROVAL [] CONSTRUCTION BY _____ DATE _____
Subject To Change Unless Certified For Construction

Blank