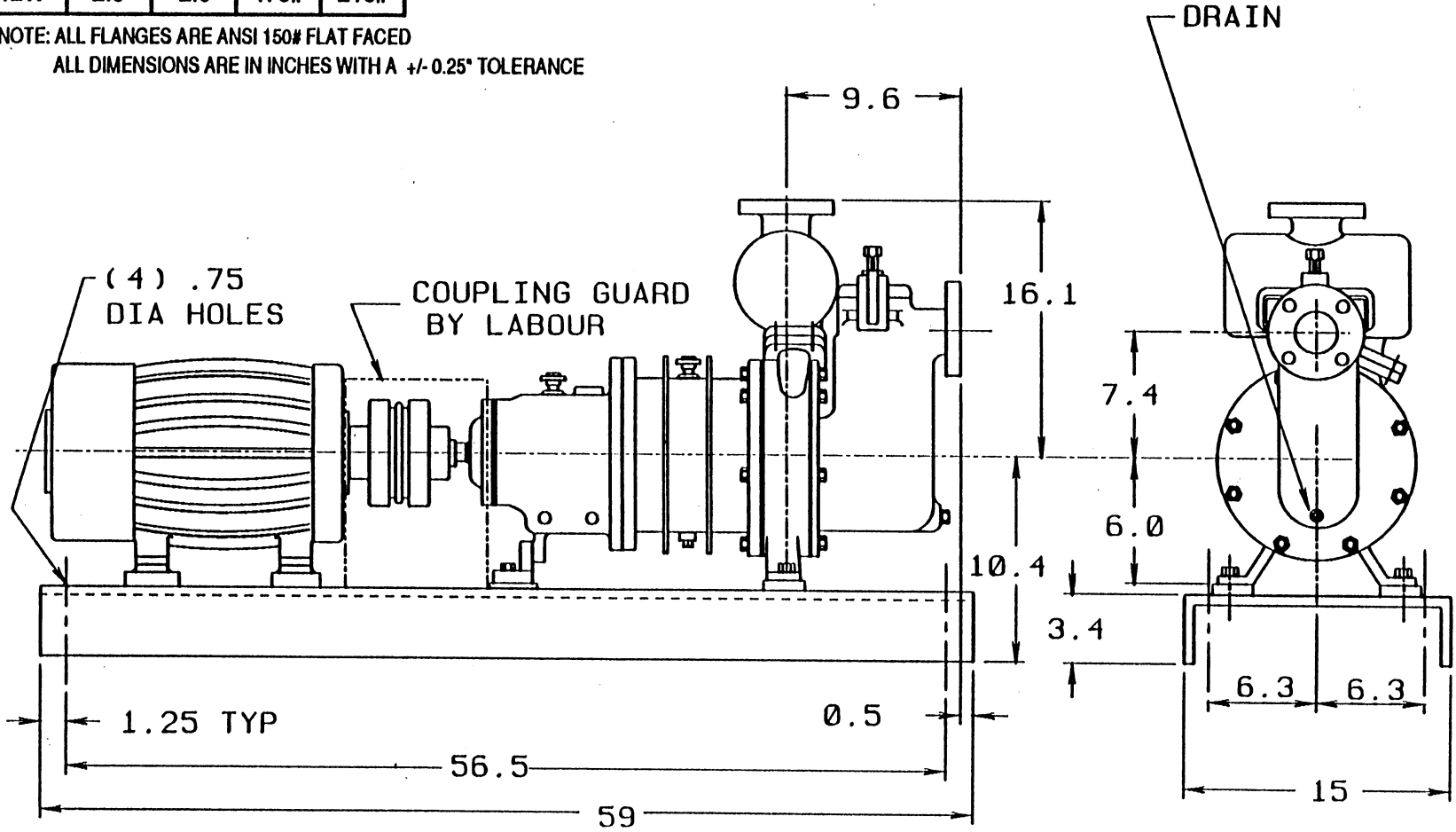


PUMP SIZE	FLANGE		PUMP WT	BASE WT
	SUC.	DISC.		
10W	2.0	2.0	420#	210#
12W	2.0	2.0	470#	210#

NOTE: ALL FLANGES ARE ANSI 150# FLAT FACED
ALL DIMENSIONS ARE IN INCHES WITH A +/- 0.25" TOLERANCE

MHL DIMENSIONAL DATA



PUMP SIZE	FLANGE		W	XY	Y	Z	PUMP WT
	SUC.	DISC.					
15W	2.5	2.5	1.7	19.7	5.9	9.1	600#
20XW	3.0	3.0	0.4	22.6	6.3	8.5	830#
23XW	3.0	3.0	0.7	23.1	6.0	8.5	880#

MPL DIMENSIONAL DATA

MOTOR FRAME	HA	HB	HD	HE	HF	HG	BASE WT
-215T	15.0	64	12.4	6.0	49.5	4.13	240#
-286T	18.0	70	13.0	7.5	55.5	4.75	330#

NOTE: ALL FLANGES ARE ANSI 150# FLAT FACED
ALL DIMENSIONS ARE IN INCHES WITH A +/- 0.25" TOLERANCE

