



Repair Parts Kits Bronze Fitted Pumps Only

Mechanical Seal Type	
AE Minor Repair Kit	
Description	Quantity
Mechanical Seal	2
Deflector : Inboard	2
Deflector : Outboard	1
Ball Bearing : Inboard	1
Ball Bearing : Outboard	1
Lip Seal : Bearing Housing ; Inboard	2
Lip Seal : Bearing Housing ; Outboard	1
Snap Ring : Outboard Bearing Retaining	1
O-Ring Gasket : Mechanical Seal Flange	2
Flat Ring Gasket : Bearing Housing	2
Casing Gaskets (for each AE Model in group)	1 Each
Instruction Manual	1
Parts List	1
AE Major Repair Kit	
Description	Quantity
Casing Ring	2
Shaft Sleeve ,RH	1
Shaft Sleeve ,LH	1
Major Repair Sub-Kit, AE - Mechanical Seal	1
<i>Consisting of:</i>	
O-Ring : Shaft Sleeve	2
Square Key : Impeller	1
Square Key : Coupling	1
Dowel Pin : Case Ring	2
Set Screw : Shaft Sleeve	4
Flange : Mechanical Seal	2
Bolt : Mechanical Seal Flange	4
Nut : Mechanical Seal Flange Bolt	4
Washer : Mechanical Seal Flange Bolt	4
End Cover : Outboard Bearing Housing	1
Minor Repair Kit, AE - Mechanical Seal (Above)	1
Parts List	1

Packed Type	
AE/AEF Minor Repair Kit	
Description	Quantity
Deflector : Inboard	2
Deflector : Outboard	1
Ball Bearing : Inboard	1
Ball Bearing : Outboard	1
Flat Ring Gasket : Bearing Housing	2
Lip Seal : Bearing Housing ; Inboard	2
Lip Seal : Bearing Housing ; Outboard	1
Snap Ring : Outboard Bearing Retaining	1
Repack Only Repair Kit, AE/AEF - Packed (Below)	1
Parts List	1
AE/AEF Major Repair Kit	
Description	Quantity
Casing Ring	2
Shaft Sleeve ,RH	1
Shaft Sleeve ,LH	1
Major Repair Sub-Kit, AE/AEF - Packed	1
<i>Consisting of:</i>	
Packing Gland	2
O-Ring : Shaft Sleeve	2
Stuffing Box Bushing	2
Square Key : Impeller	1
Square Key : Coupling	1
Dowel Pin : Case Ring	2
Set Screw : Shaft Sleeve	4
End Cover : Outboard Bearing Housing	1
Minor Repair Kit, AE/AEF - Packed (Above)	1
Parts List	1
AE/AEF Repack Only Repair Kit	
Description	Quantity
Lantern Ring	2
Packing Ring	12
Clip : Packing Gland	4
Bolt : Packing Gland	4
Nut : Packing Gland Bolt	4
Stud : Gland Bolt Retaining	4
Nut : Gland Bolt Retaining Stud	4
Casing Gaskets (for each AE Model in group)	1
Instruction Manual	1
Parts List	1

**HORIZONTAL SPLIT CASE PUMPS
Type AE**



Peerless Pump Company, LLC
Indianapolis, IN 46207-7026

**Repair Parts Kits
Bronze Fitted Pumps Only**

Pump Type	MECHANICAL SEAL			
	AE Model	MINOR REPAIR KIT	LIST PRICE US\$	MAJOR REPAIR KIT
2AE11	1AEMNSEAL KIT	*	1MSMJ2AE11 KIT	*
3AE14	1AEMNSEAL KIT	*	1MSMJ3AE14 KIT	*
3AE14G	1AEMNSEAL KIT	*	1MSMJ3AE14G KIT	*
4AE11	1AEMNSEAL KIT	*	1MSMJ4AE11 KIT	*
4AE11G	1AEMNSEAL KIT	*	1MSMJ4AE11G KIT	*
6AE11	1AEMNSEAL KIT	*	1MSMJ6AE11 KIT	*
3AE9	2AEMNSEAL KIT	*	2MSMJ3AE9 KIT	*
3AE9G	2AEMNSEAL KIT	*	2MSMJ3AE9G KIT	*
4AE10	2AEMNSEAL KIT	*	2MSMJ4AE10 KIT	*
4AE10G	2AEMNSEAL KIT	*	2MSMJ4AE10G KIT	*
4AE12	2AEMNSEAL KIT	*	2MSMJ4AE12 KIT	*
5AE14	2AEMNSEAL KIT	*	2MSMJ5AE14 KIT	*
5AE14G	2AEMNSEAL KIT	*	2MSMJ5AE14G KIT	*
5AE14N	2AEMNSEAL KIT	*	2MSMJ5AE14N KIT	*
5AE8	2AEMNSEAL KIT	*	2MSMJ5AE8 KIT	*
5AE8N	2AEMNSEAL KIT	*	2MSMJ5AE8N KIT	*
5AE11	3AEMNSEAL KIT	*	3MSMJ5AE11 KIT	*
5AE11G	3AEMNSEAL KIT	*	3MSMJ5AE11G KIT	*
5AE12	3AEMNSEAL KIT	*	3MSMJ5AE12 KIT	*
6AE14	3AEMNSEAL KIT	*	3MSMJ6AE14 KIT	*
6AE14G	3AEMNSEAL KIT	*	3MSMJ6AE14G KIT	*
6AE14N	3AEMNSEAL KIT	*	3MSMJ6AE14N KIT	*
6AE16	3AEMNSEAL KIT	*	3MSMJ6AE16 KIT	*
6AE16G	3AEMNSEAL KIT	*	3MSMJ6AE16G KIT	*
6AE16N	3AEMNSEAL KIT	*	3MSMJ6AE16N KIT	*
6AE16V	3AEMNSEAL KIT	*	3MSMJ6AE16V KIT	*
8AE12	3AEMNSEAL KIT	*	3MSMJ8AE12 KIT	*
8AE13	3AEMNSEAL KIT	*	3MSMJ8AE13 KIT	*
6AE12	4AEMNSEAL KIT	*	4MSMJ6AE12 KIT	*
6AE18	4AEMNSEAL KIT	*	4MSMJ6AE18 KIT	*
8AE15	4AEMNSEAL KIT	*	4MSMJ8AE15 KIT	*
8AE15G	4AEMNSEAL KIT	*	4MSMJ8AE15G KIT	*
8AE17	4AEMNSEAL KIT	*	4MSMJ8AE17 KIT	*
8AE17A	4AEMNSEAL KIT	*	4MSMJ8AE17A KIT	*
8AE17N	4AEMNSEAL KIT	*	4MSMJ8AE17N KIT	*
8AE17Q	4AEMNSEAL KIT	*	4MSMJ8AE17Q KIT	*
8AE17V	4AEMNSEAL KIT	*	4MSMJ8AE17V KIT	*
8AE17W	4AEMNSEAL KIT	*	4MSMJ8AE17W KIT	*
10AE12	4AEMNSEAL KIT	*	4MSMJ10AE12 KIT	*
8AE20	5AEMNSEAL KIT	*	5MSMJ8AE20 KIT	*
8AE20G	5AEMNSEAL KIT	*	5MSMJ8AE20G KIT	*
10AE14	5AEMNSEAL KIT	*	5MSMJ10AE14 KIT	*
10AE14A	5AEMNSEAL KIT	*	5MSMJ10AE14AKIT	*
10AE14G	5AEMNSEAL KIT	*	5MSMJ10AE14GKIT	*
10AE14J	5AEMNSEAL KIT	*	5MSMJ10AE14JKIT	*
10AE16	5AEMNSEAL KIT	*	5MSMJ10AE16 KIT	*

*Prices to be obtained from SPEED Extranet Website www.peerlessxnet.com

Subject to change without notice



Repair Parts Kits Bronze Fitted Pumps Only

Pump Type	PACKED PUMP					
	AE MODEL	MINOR REPAIR KIT	LIST PRICE US \$	MAJOR REPAIR KIT	LIST PRICE US \$	REPACK KIT
2AE11	1AEMNPACK KIT	*	1PKMJ2AE11 KIT	*	1AEREPACK KIT	*
3AE14	1AEMNPACK KIT	*	1PKMJ3AE14 KIT	*	1AEREPACK KIT	*
3AE14G	1AEMNPACK KIT	*	1PKMJ3AE14G KIT	*	1AEREPACK KIT	*
4AE11	1AEMNPACK KIT	*	1PKMJ4AE11 KIT	*	1AEREPACK KIT	*
4AE11G	1AEMNPACK KIT	*	1PKMJ4AE11G KIT	*	1AEREPACK KIT	*
6AE11	1AEMNPACK KIT	*	1PKMJ6AE11 KIT	*	1AEREPACK KIT	*
3AE9	2AEMNPACK KIT	*	2PKMJ3AE9 KIT	*	2AEREPACK KIT	*
3AE9G	2AEMNPACK KIT	*	2PKMJ3AE9G KIT	*	2AEREPACK KIT	*
4AE10	2AEMNPACK KIT	*	2PKMJ4AE10 KIT	*	2AEREPACK KIT	*
4AE10G	2AEMNPACK KIT	*	2PKMJ4AE10G KIT	*	2AEREPACK KIT	*
4AE12	2AEMNPACK KIT	*	2PKMJ4AE12 KIT	*	2AEREPACK KIT	*
5AE14	2AEMNPACK KIT	*	2PKMJ5AE14 KIT	*	2AEREPACK KIT	*
5AE14G	2AEMNPACK KIT	*	2PKMJ5AE14G KIT	*	2AEREPACK KIT	*
5AE14N	2AEMNPACK KIT	*	2PKMJ5AE14N KIT	*	2AEREPACK KIT	*
5AE8	2AEMNPACK KIT	*	2PKMJ5AE8 KIT	*	2AEREPACK KIT	*
5AE8N	2AEMNPACK KIT	*	2PKMJ5AE8N KIT	*	2AEREPACK KIT	*
5AE11	3AEMNPACK KIT	*	3PKMJ5AE11 KIT	*	3AEREPACK KIT	*
5AE11G	3AEMNPACK KIT	*	3PKMJ5AE11G KIT	*	3AEREPACK KIT	*
5AE12	3AEMNPACK KIT	*	3PKMJ5AE12 KIT	*	3AEREPACK KIT	*
6AEF10	3AEMNPACK KIT	*	3PKMJ6AEF10 KIT	*	3AEREPACK KIT	*
6AE14	3AEMNPACK KIT	*	3PKMJ6AE14 KIT	*	3AEREPACK KIT	*
6AE14G	3AEMNPACK KIT	*	3PKMJ6AE14G KIT	*	3AEREPACK KIT	*
6AE14N	3AEMNPACK KIT	*	3PKMJ6AE14N KIT	*	3AEREPACK KIT	*
6AEF14N	3AEMNPACK KIT	*	3PKMJ6AE14N KIT	*	3AEREPACK KIT	*
6AEF14Q	3AEMNPACKDRBKIT	*	3PKMJ6AEF14QKIT	*	3AEREPACK KIT	*
6AE16	3AEMNPACK KIT	*	3PKMJ6AE16 KIT	*	3AEREPACK KIT	*
6AE16G	3AEMNPACK KIT	*	3PKMJ6AE16G KIT	*	3AEREPACK KIT	*
6AE16N	3AEMNPACK KIT	*	3PKMJ6AE16N KIT	*	3AEREPACK KIT	*
6AE16V	3AEMNPACK KIT	*	3PKMJ6AE16V KIT	*	3AEREPACK KIT	*
8AE12	3AEMNPACK KIT	*	3PKMJ8AE12 KIT	*	3AEREPACK KIT	*
8AE13	3AEMNPACK KIT	*	3PKMJ8AE13 KIT	*	3AEREPACK KIT	*
6AE12	4AEMNPACK KIT	*	4PKMJ6AE12 KIT	*	4AEREPACK KIT	*
6AE18	4AEMNPACK KIT	*	4PKMJ6AE18 KIT	*	4AEREPACK KIT	*
8AE15	4AEMNPACK KIT	*	4PKMJ8AE15 KIT	*	4AEREPACK KIT	*
8AEF15A	4AEMNPACKDRBKIT	*	4PKMJ8AEF15AKIT	*	4AEREPACK KIT	*
8AE15G	4AEMNPACK KIT	*	4PKMJ8AE15G KIT	*	4AEREPACK KIT	*
8AE17	4AEMNPACK KIT	*	4PKMJ8AE17 KIT	*	4AEREPACK KIT	*
8AE17A	4AEMNPACK KIT	*	4PKMJ8AE17A KIT	*	4AEREPACK KIT	*
8AE17N	4AEMNPACK KIT	*	4PKMJ8AE17N KIT	*	4AEREPACK KIT	*
8AE17Q	4AEMNPACK KIT	*	4PKMJ8AE17Q KIT	*	4AEREPACK KIT	*
8AE17V	4AEMNPACK KIT	*	4PKMJ8AE17V KIT	*	4AEREPACK KIT	*
8AE17W	4AEMNPACK KIT	*	4PKMJ8AE17W KIT	*	4AEREPACK KIT	*
10AE12	4AEMNPACK KIT	*	4PKMJ10AE12 KIT	*	4AEREPACK KIT	*
8AE20	5AEMNPACK KIT	*	5PKMJ8AE20 KIT	*	5AEREPACK KIT	*
8AE20G	5AEMNPACK KIT	*	5PKMJ8AE20G KIT	*	5AEREPACK KIT	*
10AE14	5AEMNPACK KIT	*	5PKMJ10AE14 KIT	*	5AEREPACK KIT	*
10AE14A	5AEMNPACK KIT	*	5PKMJ10AE14AKIT	*	5AEREPACK KIT	*
10AE14G	5AEMNPACK KIT	*	5PKMJ10AE14GKIT	*	5AEREPACK KIT	*
10AE14J	5AEMNPACK KIT	*	5PKMJ10AE14JKIT	*	5AEREPACK KIT	*
10AE16	5AEMNPACK KIT	*	5PKMJ10AE16 KIT	*	5AEREPACK KIT	*

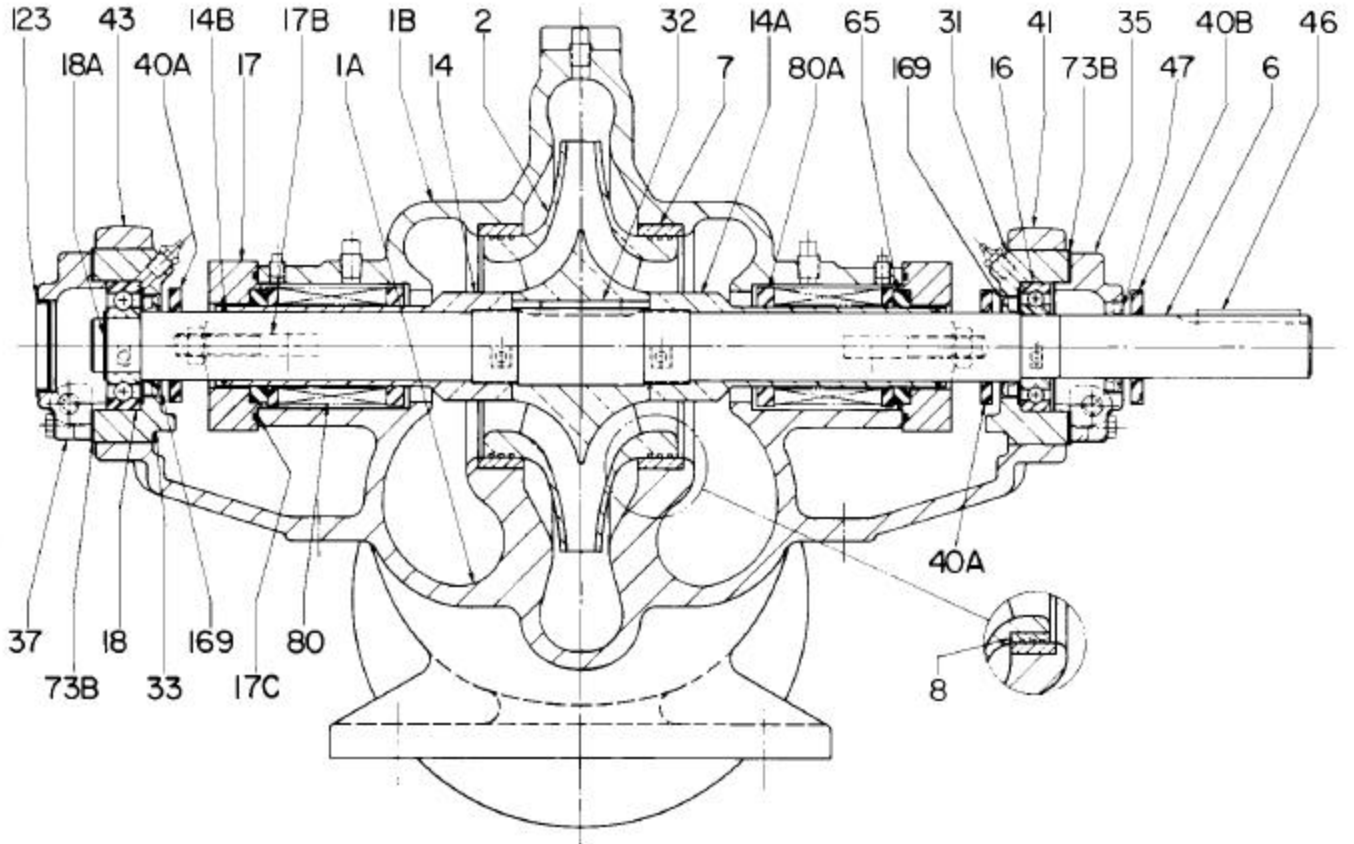
*Prices to be obtained from SPEED Extranet Website www.peerlessnet.com

Subject to change without notice

BLANK



AE
-Repair Parts-
Mechanical Seal Type
Cross Sectional Drawing



4851859

REPAIR PARTS INDEX

Item No.	Description	Qty.	Selection Table	Section 1250 Page	Item No.	Description	Qty.	Selection Table	Section 1250 Page
1A, 1B	Upper & Lower Casings, Brg. Housing Caps	1	A	3	33	Outboard Bearing Housing	1	E	7,8
2	Impeller	1	B	4	35	Inb. Brg. Housing Cover	1	E	7,8
6	Shaft	1	C	5	37	Out. Brg. Housing Cover	1	E	7,8
7	Casing Ring	2	B	4	40A	Inboard Deflector	2	E	7,8
8	Impeller Ring (Optional)	2	B	4	40B	Outboard Deflector	1	E	7,8
14, 14A	Shaft Sleeve	LH RH	1 1	E 7,8	46	Coupling Key	1	E	7,8
14B	Shaft Sleeve "O" Ring	2	C	5	47	Inb. Brg. Cover Seal	1	E	7,8
16	Inboard Ball Bearing	1	E	7,8	73A	Casing Gasket (Not Shown)	1	D	6
17	Mechanical Seal Flange	2	E	7,8	73B	Bearing Cover Gasket	2	E	7,8
17B	Gland Bolt	4	E	7,8	65-80	Mechanical Seal Seal	2	E	7,8
17C	Seal Flange "O" Ring	2	E	7,8	80A	Shaft Collar	2	E	7,8
18	Outboard Ball Bearing	1	E	7,8	123	Bearing End Cover	1	E	7,8
18A	Bearing Retaining Ring	1	E	7,8	169	Bearing Housing Seal	2	E	7,8
31	Inboard Bearing Housing	1	E	7,8	-	Casing Hardware	1	D	6
32	Impeller Key	1	D	6					

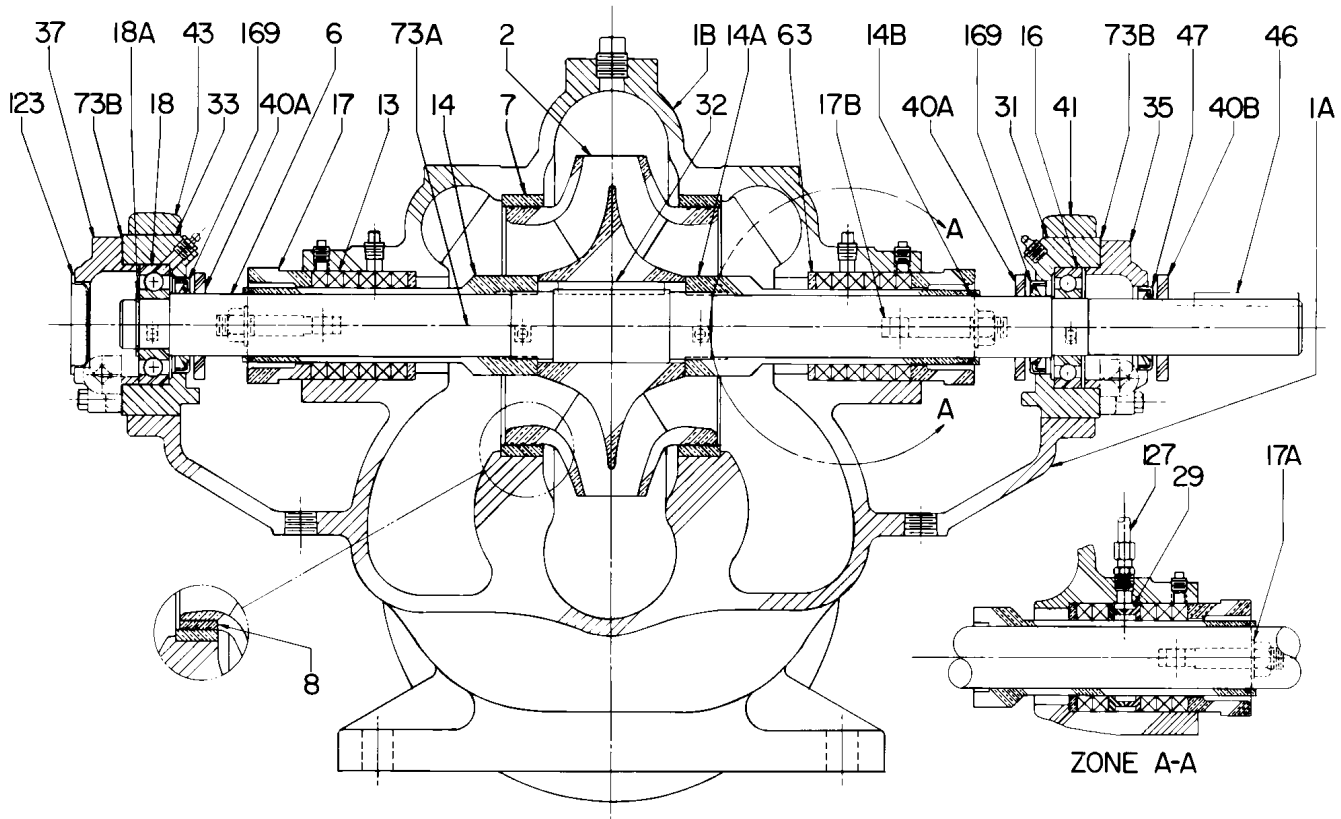
Subject to change without notice

**HORIZONTAL SPLIT CASE PUMPS
 SINGLE STAGE DOUBLE SUCTION**



Peerless Pump Company, LLC
 Indianapolis, IN 46207-7026

**Type AE
 -Repair Parts-
 Packed Type
 Cross Sectional Drawing**



4851860

REPAIR PARTS INDEX

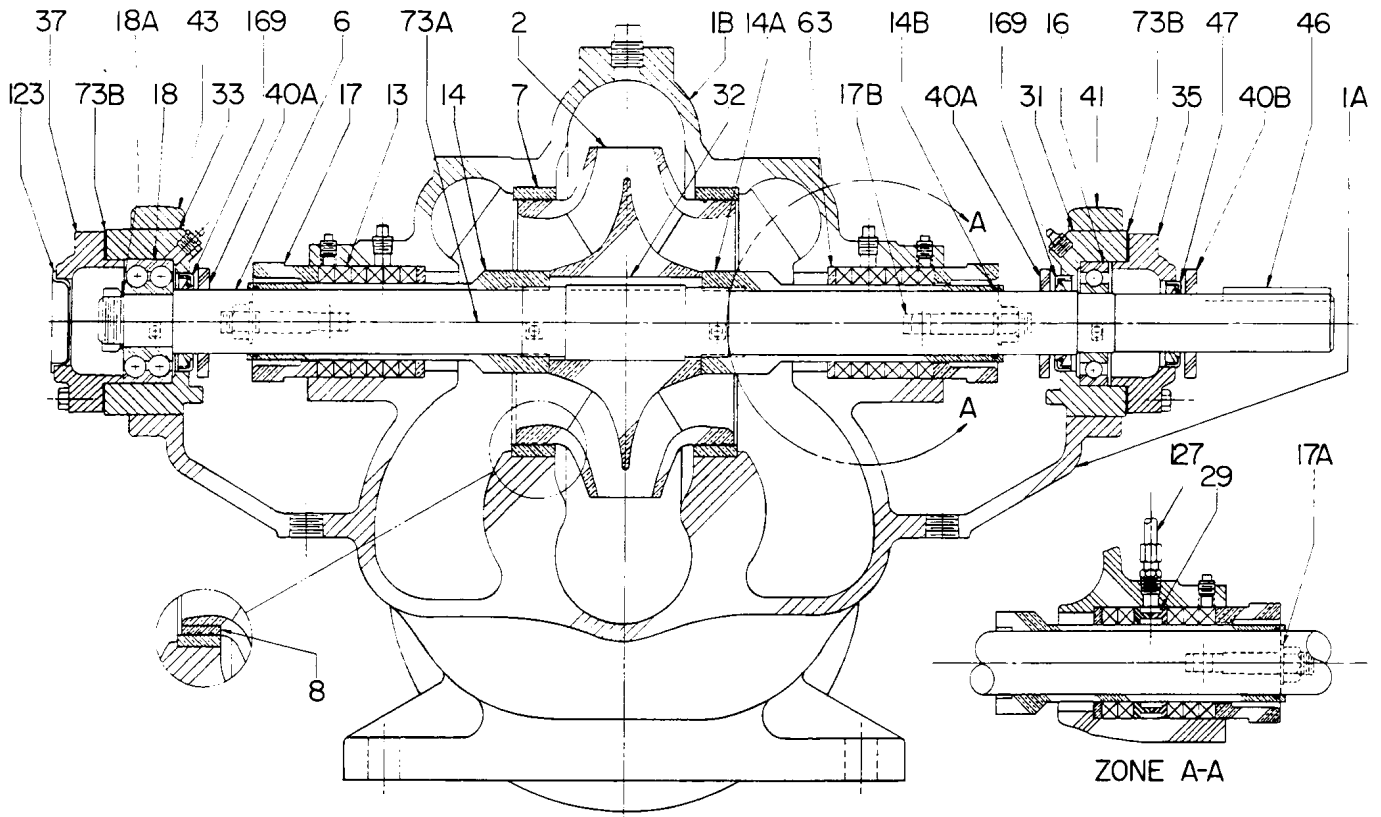
Item No.	Description	Qty	Selection Table	Section 1250 Page	Item No.	Description	Qty	Selection Table	Section 1250 Page
1A, 1B, 41, 43	Upper & Lower Casings	1	A	3	31	Inboard Bearing Housing	1	E	7, 8
2	Impeller	1	B	4	32	Impeller Key	1	D	6
6	Shaft	1	C	5	33	Outboard Bearing Housing	1	E	7, 8
7	Casing Ring	2	B	4	35	Inb. Brg. Housing Cover	1	E	7, 8
8	Impeller Ring (Optional)	2	B	4	37	Out. Brg. Housing Cover	1	E	7, 8
13	Packing Ring	①	E	7, 8	40A	Inboard Deflector	2	E	7, 8
14, 14A	Shaft Sleeve	RH	C	5	40B	Outboard Deflector	1	E	7, 8
		LH			1				
14B	Shaft Sleeve "O" Ring	2	E	7, 8	46	Coupling Key	1	E	7, 8
16	Inboard Ball Bearing	1	E	7, 8	47	Inb. Brg. Cover Seal	1	E	7, 8
17	Packing Gland	2	E	7, 8	63	Stuffing Box Bushing	2	E	7, 8
17A	Gland Clip (when used)	4	E	7, 8	73A	Casing Gasket (Not Shown)	1	D	6
17B	Gland Bolt	4	E	7, 8	73B	Bearing Cover Gasket	2	E	7, 8
18	Outboard Ball Bearing	1	E	7, 8	123	Bearing End Cover	1	E	7, 8
18A	Bearing Lock Washer	1	E	7, 8	127	Water Seal Piping	2	E	7, 8
29	Lantern Ring (Optional)	2	E	7, 8	169	Bearing Housing Seal	2	E	7, 8
-	Casing Hardware	1	D	6					

① 10 with Lantern Ring, 12 without Lantern Ring

Subject to change without notice



-Repair Parts-
Packed Type with Double Row Thrust Bearing
Cross Sectional Drawing



Note: This is standard construction on 6AEF14Q
and 8AEF15A Horizontal Split Case Fire Pumps

4852867

REPAIR PARTS INDEX

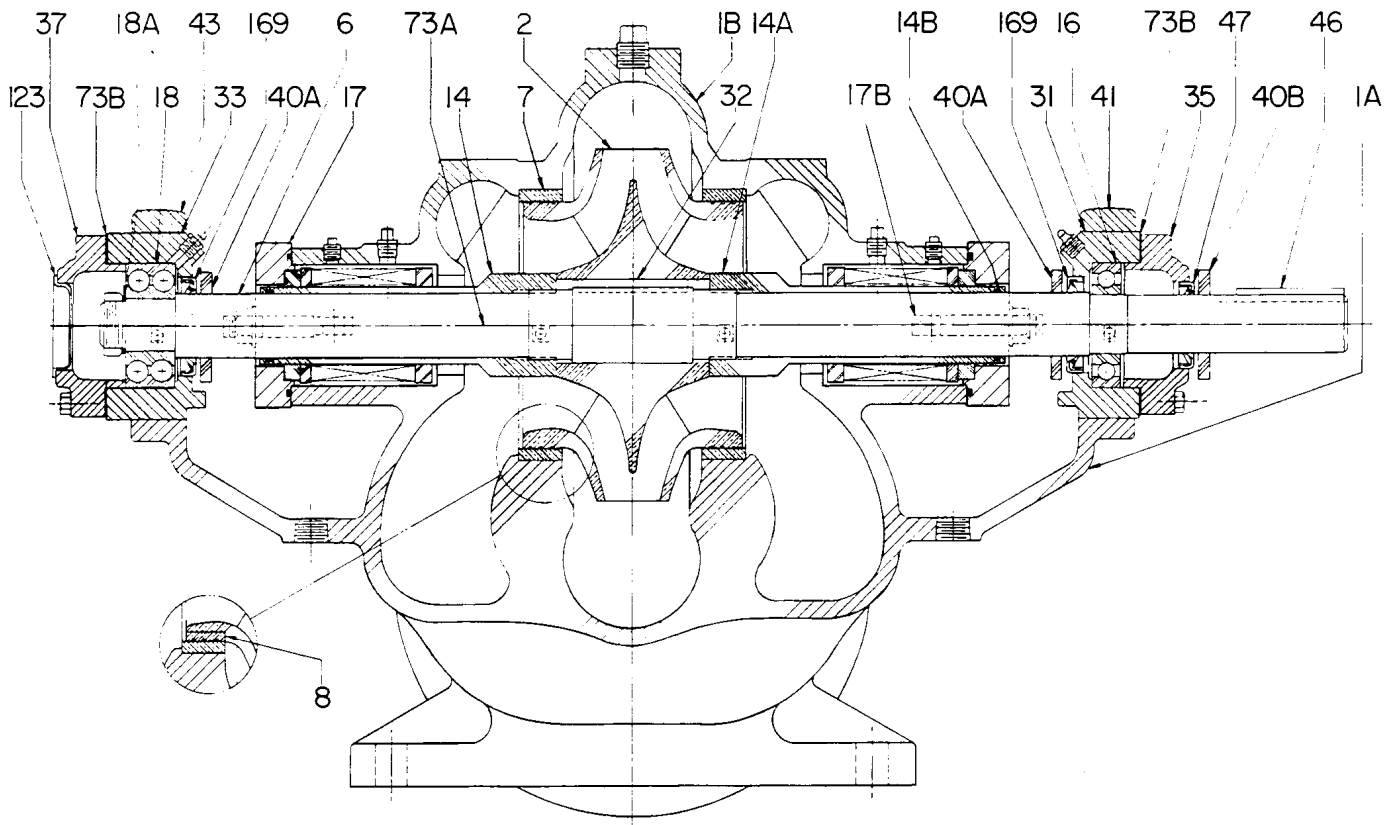
Item No.	Description	Qty	Selection Table	Section 1250 Page	Item No.	Description	Qty	Selection Table	Section 1250 Page
1A,1B,4 1, 43	Upper & Lower Casings	1	A	3	31	Inboard Bearing Housing	1	E	7, 8
2	Impeller	1	B	4	32	Impeller Key	1	D	6
6	Shaft	1	F	9	33	Outboard Bearing Housing	1	F	9
7	Casing Ring	2	B	4	35	Inb. Brg. Housing Cover	1	E	7, 8
8	Impeller Ring (Optional)	2	B	4	37	Out. Brg. Housing Cover	1	E	7, 8
13	Packing Ring	①	E	7, 8	40A	Inboard Deflector	2	E	7, 8
14, 14A	Shaft Sleeve	RH, 1 LH 1	C	5	40B	Outboard Deflector	1	E	7, 8
14B	Shaft Sleeve "O" Ring	2	E	7, 8	46	Coupling Key	1	E	7, 8
16	Inboard Ball Bearing	1	E	7, 8	47	Inb. Brg. Cover Seal	1	E	7, 8
17	Packing Gland	2	E	7, 8	63	Stuffing Box Bushing	2	E	7, 8
17A	Gland Clip (when used)	4	E	7, 8	73A	Casing Gasket (Not Shown)	1	D	6
17B	Gland Bolt	4	E	7, 8	73B	Bearing Cover Gasket	2	E	7, 8
18	Outboard Ball Bearing	1	F	9	123	Bearing End Cover	1	E	7, 8
18A	Bearing Lock Washer	1	F	9	127	Water Seal Piping	2	E	7, 8
22	Bearing Lock Nut	1	F	9	169	Bearing Housing Seal	2	E	7, 8
29	Lantern Ring (Optional)	2	E	7, 8	-	Casing Hardware	1	D	6

① 10 with Lantern Ring, 12 without Lantern Ring

**HORIZONTAL SPLIT CASE PUMPS
SINGLE STAGE DOUBLE SUCTION
Type AE**



**-Repair Parts-
Mechanical Seal Type with Double Row Thrust Bearing
Cross Sectional Drawing**



4852968

REPAIR PARTS INDEX

Item No.	Description	Qty	Selection Table	Section 1250 Page	Item No.	Description	Qty	Selection Table	Section 1250 Page
1A,1B, 41, 43	Upper & Lower Casings	1	A	3	33	Outboard Bearing Housing	1	F	9
2	Impeller	1	B	4	35	Inb. Brg. Housing Cover	1	E	7, 8
6	Shaft	1	F	9	37	Out. Brg. Housing Cover	1	E	7, 8
7	Casing Ring	2	B	4	40A	Inboard Deflector	2	E	7, 8
8	Impeller Ring (Optional)	2	B	4	40B	Outboard Deflector	1	E	7, 8
14, 14A	Shaft Sleeve	RH LH	1 1	C	46	Coupling Key	1	E	7, 8
14B	Shaft Sleeve "O" Ring	2	E	7, 8	47	Inb. Brg. Cover Seal	1	E	7, 8
16	Inboard Ball Bearing	1	E	7, 8	65-80	Mechanical Seal	2	E	7, 8
17	Mechanical Seal Flange	2	E	7, 8	80A	Shaft Collar	2	E	7, 8
17B	Gland Bolt	4	E	7, 8	73A	Casing Gasket (Not Shown)	1	D	6
17C	Seal Flange "O" Ring	2	E	7, 8	73B	Bearing Cover Gasket	2	E	7, 8
18	Outboard Ball Bearing	1	F	9	123	Bearing End Cover	1	E	7, 8
18A	Bearing Lock Washer	1	F	9	127	Water Seal Piping	2	E	7, 8
22	Bearing Lock Nut	1	F	9	169	Bearing Housing Seal	2	E	7, 8
31	Inboard Bearing Housing	1	E	7, 8	-	Casing Hardware	1	D	6
32	Impeller Key	1	D	6					

Subject to change without notice



AE, AEF REPAIR PARTS SELECTION TABLE A

ITEM NO.		1A, 1B, 41, 43							
DESCRIPTION		UPPER & LOWER CASING ASSEMBLY WITH BEARING HOUSING CAPS							
ROTOR SERIES	PUMP MODEL	LB. ANSI FLANGE DRILLING							
		SUCTION/DISCHARGE		SUCTION/DISCHARGE		SUCTION/DISCHARGE		SUCTION/DISCHARGE	
		125 / 125		125 / 250		250 / 250		250 / 250	
		CAST IRON		CAST IRON		CAST IRON		DUCTILE IRON	
		Part No.	Code No.	Part No.	Code No.	Part No.	Code No.	Part No.	Code No.
A	2AE11	269353101	568	269353102	568	N.A.	-	N.A.	-
B	3AE9, G	269339701	568	269339702	568	269339703	568	269339703	407
A	3AE14, G	269350701	568	269350702	568	N.A.	-	N.A.	-
B	4AE10, G	269322901	568	269322902	568	269322903	568	269322903	407
A	4AE11, G	269292801	568	269292802	568	269292803	568	N.A.	-
B	4AE12	269235101	568	269235102	568	269235103	568	269235103	407
B	5AE8, N	269381301	568	269381302	568	N.A.	-	N.A.	-
C	5AE11, G	269340301	568	269340302	568	269340303	568	269340303	407
C	5AE12	269346901	568	269346902	407 ②	269346903	407 ②	269346903	407
B	5AE14, G, N	269341601	568	269341602	568	269341603	568	N.A.	-
C	6AEF10	269228201	568	269228202	568	N.A.	-	N.A.	-
A	6AE11	269284601	568	269284602	568	269284603	568	N.A.	-
D	6AE12	269245501	568	269245502	568	269245503	568	269245503	407
C	6AE14, G	269310301	568	269310302	568	269310303	568	N.A.	-
C	6AE14N,	269311001	568	269311002	568	269311003	568	N.A.	-
C	6AE14Q ①	269311001	568	269311002	568	269311003	568	N.A.	-
C	6AE16, G, N, V	269361001	568	269361002	568	N.A.	-	N.A.	-
D	6AE18	269342101	568	269342102	568	N.A.	-	N.A.	-
C	8AE12	269283301	568	269283302	568	269283303	568	N.A.	-
C	8AE13	269341101	568	269341102	568	N.A.	-	N.A.	-
D	8AE15, G	269278701	568	269278702	568	269278703	568	N.A.	-
D	8AE15A ①	269278701	568	269278702	568	269278703	568	N.A.	-
D	8AE17, N, V 8AE17A, Q, W	269576601	042	269576602	042	269576603	042	N.A.	-
E	8AE20, G	269329701	042	269329702	042	N.A.	-	N.A.	-
D	10AE12	269413501	568	269413502	568	269413503	568	N.A.	-
E	10AE14, A, G, J	269579001	568	269579002	568	269579003	568	N.A.	-
E	10AE16	2692776	568	N.A.	-	N.A.	-	N.A.	-
F	10AE20	269354501	568	269354502	568	N.A.	-	N.A.	-

① Double row outboard thrust ball bearing design.

② Ductile Iron

N.A. = Not available

Subject to change without notice.

**HORIZONTAL SPLIT CASE PUMPS SINGLE STAGE
DOUBLE SUCTION Types AE, AEF**



Peerless Pump Company,
Indianapolis, IN 46207-7026

AE, AEF REPAIR PARTS SELECTION TABLE B

ITEM NO.		2		8				7			
DESCRIPTION		Bronze Impeller With Integral Rings ①		Bronze Impeller Rings ④		416 Stainless Steel Impeller Rings ④		Bronze Casing Rings		416 Stainless Steel Casing Rings ⑧	
Rotor Series	Pump Model	Part Number	Code No.	Part No.	Code No.	Part No.	Code No.	Part Number	Code No.	Part No.	Code No.
A	2AE11	2693522	449	2693775	011	2693775	078	2602605	186	2602605	078
B	3AE9	2693450	449	58 5 4	011	58 5 4	078	2656269	186	2656269	078
B	3AE9G	2693451	449	58 5 4	011	58 5 4	078	2656269	186	2656269	078
A	3AE14	2693509	449	58 5 4	011	58 5 4	078	2656269	186	2656269	078
A	3AE14G	2694939	449	2694953	011	2694953	078	2694938	186	2694938	078
B	4AE10	2693319	449 ②	2693775	011	2693775	078	2602605	186	2602605	078
B	4AE10G	2693450	449	58 5 4	011	58 5 4	078	2694396	186	2694396	078
A	4AE11	2692930	449 ②	2693776	011	2693776	078	2692968	186	2692968	078
A	4AE11G	2693667	449	2693786	011	2693786	078	2693787	186	2693787	078
B	4AE12	2692300	449 ②	2693775	011	2693775	078	2692352	186	2692352	078
B	5AE8	2693814	449	2693770	011	2693770	078	2658741	186	2658741	078
B	5AE8N	2693816	449	58 5 4	011	58 5 4	078	2658741	186	2658741	078
C	5AE11	2693430	449	2693770	011	2693770	078	2658741	186	2658741	078
C	5AE11G	2693431	449	2693770	011	2693770	078	2658741	186	2658741	078
C	5AE12	2693460	449	2693779	011	2693779	078	2693484	186	2693484	078
B	5AE14	2693456	449	2693777	011	2693777	078	2693459	186	2693459	078
B	5AE14G	2694349	449	2693775	011	2693775	078	2694353	186	2694353	078
B	5AE14N	2694394	449	2693775	011	2693775	078	2694353	186	2694353	078
C	6AEF10	2692551	449	2693782	011	2693782	078	2692530	186	2692530	078
A	6AE11	2692848	449 ②	2693778	011	2693778	078	2692858	186	2692858	078
D	6AE12	2692443	449 ②	2693782	011	2693782	078	2692491	186	2692491	078
C	6AE14	2693077	449 ②	2693780	011	2693780	078	2693058	186	2693058	078
C	6AE14G	2693078	449 ②	2693780	011	2693780	078	2693058	186	2693058	078
C	6AEF14N, Q	2696304 ③	000	2693773	011	2693773	078	2693105	186	2693105	078
C	6AE16	2692932	449 ②	2693780	011	2693780	078	2693058	186	2693058	078
C	6AE16G	2692933	449	2693777	011	2693777	078	2693059	186	2693059	078
C	6AE16V	2694461	449	2693777	011	2693777	078	2693059	186	2693059	078
C	6AE16N	2692931	449 ②	2693777	011	2693777	078	2693059	186	2693059	078
D	6AE18	2693457	449 ②	2693774	011	2693774	078	2693458	186	2693458	078
C	8AE12	2692806	449 ②	2693781	011	2693781	078	2692909	186	2692909	078
C	8AE13	2693445	449 ②	2693772	011	2693772	078	2693249	186	2693249	078
D	8AE15	2692769	449 ②	2693771	011	2693771	078	2692770	186	2692770	078
D	8AEF15A	2692769	449 ②	2693771	011	2693771	078	2692770	186	2692770	078
D	8AE15G	2694320	449	2693773	011	2683773	078	2694321	186	2694321	078
D	8AE17, A	2693259	449 ②	2693772	011	2693772	078	2693249	186	2693249	078
D	8AE17N, Q	2693257	449 ②	2693772	011	2693772	078	2693249	186	2693249	078
D	8AEF17V, W	2693258	449 ⑨	2693772	011	2693772	078	2693249	186	2693249	078
E	8AE20	2693333	449 ②	2693772	011	2693772	078	2693249	186	2693249	078
E	8AE20G	2693332	449 ②	2693772	011	2693772	078	2693249	186	2693249	078
D	10AE12	2694126	449	2693772	011	2693772	078	2693249	186	2693249	078
E	10AE14, A	2693193	449 ②	58 10 6	011	58 10 6	078	2693250	186	2693250	078
E	10AE14G, J	2693192	449 ②	58 10 6	011	58 10 6	078	2693250	186	2693250	078
E	10AE16	2692881	449 ②	58 10 13	011	58 10 13	078	2692782	186	2692782	078
F	10AE20	2693541	449 ②	58 10 6	011	58 10 6	078	2693721	186	2693721	078

① For Impellers with skirts machined for and including mounted rings, specify Part No. of Impeller with Code No. of desired Impeller Rings preceding Impeller Code No. **Example:** 4AE11 Bronze Impeller machined for and with mounted Bronze Impeller Rings, Part No./Code No. Would be: **2692930 011449**.

② Cast Iron Impellers are available Use Code No. 040

③ Furnished on units manufactured after July 1992, Includes impeller 2696341 449 and key 2668210 083 and is for shafts 2696298 (RH) and 2696299 (LH). On units manufactured prior July 1992 impeller 2693079 449 was used.

④ Impeller Rings are furnished in a semi-finished condition. Ring O. D.'s are to be turned to finished diameters after Installing on Impeller by customer.

⑧ Part No. shown applies only when used with impellers having integral or separate mounted bronze imp. rings, add "01" suffix to Part No. if used with impeller having 416 stainless steel Impeller rings.

⑨ Cast Iron Impellers are available Use Code No. 491

The "01" suffix casing rings have an extra .010 clearance in ring I. D.



AE, AEF REPAIR PARTS SELECTION TABLE C

ITEM NO DESCRIPTION		6						14			14A		
		R.H. SHAFT (CW)			L.H.SHAFT (CCW)			R.H. SHAFT SLEEVE ①②			LH. SHAFT SLEEVE①②		
		Material	Steel	416 S.S.	Material	Steel	416 S.S.	Material	Brz.	416 S.S.	Material	Brz.	416 S.S.
Rotor Series	Pump Model	Part Number	Mat'l. Code No.	Mat'l. Code No.	Part Number	Mat'l. Code No.	Mat'l. Code No.	Part Number	Mat'l. Code No.	Mat'l. Code No.	Part Number	Mat'l. Code No.	Mat'l. Code No.
A	2AE11	2692859	076	306	2692860	076	306	2693873	186	092	2693874	186	092
B	3AE9, G	2692353	076	306	2692608	076	306	2693875	186	092	2693876	186	092
A	3AE14, G	2692859	076	306	2692860	076	306	2693873	186	092	2693874	186	092
B	4AE10, G	2692353	076	306	2692608	076	306	2693875	186	092	2693876	186	092
A	4AE11, G	2692859	076	306	2692860	076	306	2693873	186	092	2693874	186	092
B	4AE12	2692353	076	306	2692608	076	306	2693875	186	092	2693876	186	092
B	5AE8, N	2693817	076	306	2693818	076	306	2693461	186	092	2693462	186	092
C	5AE11, G	2692293	076	306	2692543	076	306	2693877	186	092	2693878	186	092
C	5AE12	2692293	076	306	2692543	076	306	2693877	186	092	2693878	186	092
B	5AE14, G, N	2693463	076	306	2693464	076	306	2693461	186	092	2693462	186	092
C	6AEF10	2692293	076	-	2692543	076	-	2693877	186	092	2693878	186	092
A	6AE11	2692859	076	306	2692860	076	306	2693873	186	092	2693874	186	092
D	6AE12	2692496	076	306	2692497	076	306	2693879	186	092	2693880	186	092
C	6AE14, G	2696298	076	306	2696299	076	306	2693877	186	092	2693878	186	092
C	6AE14N 6AEF14N	2696298 ③	076	-	2696299 ③	076	-	2693877	186	092	2693878	186	092
C	6AEF14Q	④	-	-	④	-	-	2693877	186	092	2693878	186	092
C	6AE16, G, N, V	2696197	076	306	2696198	076	306	2693703	186	092	2693704	186	092
D	6AE18	2694732	076	306	2694733	076	306	2693879	186	092	2693880	186	092
C	8AE12	2692293	076	306	2692543	076	306	2693877	186	092	2693878	186	092
C	8AE13	2696214	076	306	2696215	076	306	2693877	186	092	2693878	186	092
D	8AE15	2692496	076	306	2692497	076	306	2693879	186	092	2693880	186	092
D	8AEF15A	④	-	-	④	-	-	2693879	186	092	2693880	186	092
D	8AE15G	2692496	076	306	2692497	076	306	2693879	186	092	2693880	186	092
D	8AE17, A, N, Q, V, W	2694732	076	306	2694733	076	306	2693879	186	092	2693880	186	092
E	8AE20, G	2696013	076	306	2696014	076	306	2693881	186	092	2693882	186	092
D	10AE12	2694137	076	306	2694138	076	306	2693879	186	092	2693880	186	092
E	10AE14, A, G, J	2696013	076	306	2696014	076	306	2693881	186	092	2693882	186	092
E	10AE16	2696013	076	306	2696014	076	306	2693881	186	092	2693882	186	092
F	10AE20	2693573	076	306	2693574	076	306	2693571	186	092	2693572	186	092

① Each sleeve requires a qty. of 2 set screws Part No. 2697353 material code 539 for Rotor Series A through D.

② Each sleeve requires a qty. of 2 set screws Part No. 2697354 material code 539 for Rotor Series E through F.

③ Furnished on units manufactured after July, 1992, requires key 2668210 083 and is for pumps with Impeller 2696341 449. Units manufactured prior July, 1992 have shaft part no's. 2693106 076 (RH) and 2693107 076 (LH). which require impeller key Part No. 269367722 Mat'l. Code 083 and are for impeller Part No. 2693079 Mat'l. Code 449.

④ See page 9 of Section 1250 for 6AEF14Q and 8AEF15A shafts (double row outboard bearings are standard on these pumps)

**HORIZONTAL SPLIT CASE PUMPS SINGLE
STAGE DOUBLE SUCTION
Types AE, AEF**



Peerless Pump Company, LLC
Indianapolis, IN 46207-7026

AE, AEF REPAIR PARTS SELECTION TABLE D

ITEM NO.		32		73A		-	
DESCRIPTION		Impeller Key		Casing Gasket		Casing Hardware ①	
MATERIAL		18-8 Stainless Steel		Vegetable Fiber		Standard	High Pressure ②
Rotor Series	Pump Model	Part No.	Code No.	Part No.	Code No.	Spec No.	Spec. No.
A	2AE11	269367701	083	2693532	122	2693631	2693631
B	3AE9, G	269367711	083	2693398	122	269364701	269364702
A	3AE14, G	269367701	083	2693508	122	2693632	2693632
B	4AE10, G	269367711	083	2693232	122	269364801	269364802
A	4AE11, G	269367701	083	2692929	122	2693623	2693623
B	4AE12	269367711	083	2692638	122	269364901	269364902
B	5AE8, N	269367711	083	2693812	122	2693860	2693860
C	5AE11, G	269367721	083	2693404	122	269365101	269365102
C	5AE12	269367721	083	2693470	122	269365201	269365202
B	5AE14, G, N	269367711	083	2693417	122	2693650	2693650
C	6AEF10	269367721	083	2692630	122	2693653	2693653
A	6AE11	269367701	083	2692847	122	2693624	2693624
D	6AE12	269367731	083	2692640	122	269365801	269365802
C	6AE14, G	269367722	083	2693108	122	2693654	2693654
C	6AE14N 6AEF14N, Q	2668210 ③	083	2693108	122	2694335	2694335
C	6AE16, G, N, V	269367722	083	2693611	122	2693992	2693992
D	6AE18	269367731	083	2693422	122	2693659	2693659
C	8AE12	269367721	083	2692834	122	2693656	2693656
C	8AE13	269367722	083	2694634	122	2693657	2693657
D	8AE15, G, 8AEF15A	269367731	083	2692788	122	2693660	2693660
D	8AE17, N, V	269367731	083	2693198	122	2693661	2693661
D	8AE17A, Q, W	269367731	083	2695767	122	2697068	2697068
E	8AE20, G	269367732	083	2693298	122	2693662	2693662
D	10AE12	269367731	083	2694136	122	2693661	2693661
E	10AE14, G	269367732	083	2693225	122	2693663	2693663
E	10AE14A, J	269367732	083	2695791	122	2696755	2696755
E	10AE16	269367732	083	2692777	122	2693664	-
F	10AE20	269367741	083	2693546	122	2694285	2694285

① Includes Casing Split Hardware, (except bracket screws, dowel pins and four split screws which are part of casing assembly required for machining), Gland Bolt Studs and Nuts, Impeller and Coupling Keys, Drain and Vent Pipe Plugs, Casing Ring Dowel Pins.

② Used on Casing Part Numbers ending In -02 or -03.

③ For units manufactured after July, 1992 for impeller part no. 2696341 code 449. On units manufactured prior July, 1992 impeller part no. 2693079 code 449 was used requiring impeller key part no. 269367722 code 083.

Subject to change without notice



AE, AEF REPAIR PARTS SELECTION TABLE E

Mech. Seal Type	Packed Type	Item No	Part Description	Material Description	Rotor Series			Code No
					A Part No.	B Part No.	C Part No.	
	X	13	Packing Ring ①	Graphited/TFE	269249401	269249402	269249403	676
X	X	14B	Shaft Sleeve "O"-Ring	Rubber	2693866	2693867	2693868	116
X	X	16	Inboard Ball Bearing	Steel Assembly	1100750	1104448	1104451	000
	X	17	Packing Gland	Bronze	2692856	2692810	2692812	024
	X	17	Packing Gland	316 Stainless Steel ②	2693711	2693669	2693712	086
X		17	Mechanical Seal Flange	Cast Iron	2693012	2693013	2693014	040
	X	17A	Packing Gland Clip	Stainless Steel	2692857	2692828	2692828	079
X	X	17B	Gland Bolt	Steel	2692861	2692356	2694632	056
X		17C	Mechanical Seal Flange "O"-Ring	Rubber	2659137	2611893	2611894	116
X	X	17D	Gland Bolt Nut	Stainless Steel	2609812	2609814	2609814	291
X		17E	Mechanical Seal Flange Washer	Steel	2610415	2610419	2610419	056
X	X	18	Outboard Ball Bearing	Steel Assembly	1104443	1104445	1104449	000
X	X	18A	Bearing Retaining Ring	Steel	2617554	2612147	2617556	056
	X	29	Lantern Ring-Optional	TFE	269249301	269249302	269249303	133
X	X	31	Inboard Bearing Housing	Cast Iron	2692842	2692323	2692284	040
X	X	33	Outboard Bearing Housing	Cast Iron	2692842	2692323	2692284	040
X	X	35	Inboard Bearing Housing Cover	Cast Iron	2692852	2692324	2692286	040
X	X	37	Outboard Bearing Housing Cover	Cast Iron	2692852	2692324	2692286	040
X	X	40A	Inboard Deflector	Rubber	2675921	2667213	2667213	118
X	X	40B	Outboard Deflector	Rubber	2667211	-	2667213	118
X	X	40B	Outboard Deflector	Rubber	-	2667212	-	113
X	X	46	Coupling Key	Steel	V2377A10	V2384A6	V2379A2	064
X	X	47	Inboard Bearing Cover Seal	Rubber/Steel	1181234	2692446	2692451	000
	X	63	Stuffing Box Bushing	Bronze ③	269249201	269249202	269249203	011
X	X	73B	Bearing Cover Gasket	Fiber	2692880	2692325	2692319	176
X		65-80	Mechanical Seal 225° F. Max.	Buna-Rubber/ S.S./Ni-Resist	268716607	2693598	2693599	000
X		80A	Shaft Collar	Stainless Steel	269368701	269368702	269368703	079
X		80B	Shaft Collar Set Screw	Stainless Steel	2610678	2610680	2610680	079
X	X	123	Bearing End Cover	Steel	2692883	2692447	2692449	056
X	X	125	Oil Reservoir-Optional	Plastic/Die Cast Alum/Zinc	2657326	2657326	2657326	000
	X	127	Water Seal Pipe Fitting	Brass	2611214	2611214	2611214	007
X		127	Seal Flush Pipe Fitting	Brass	2611213	2611213	2611213	007
	X	127A	Water Seal Pipe Tee	Brass	2692546	2692546	2692546	007
X	X	169	Bearing Housing Seal	Rubber/Steel	1181233	1181193	2692450	000
X	X	-	Csg Ring Pin All Except 5AE8, 6AEF10	Brass	2651541	2651541	2651540	007
X	X	-	Csg Ring Pin 5AE8, 6AEF10	Brass	-	2651540	2651541	007
X	X	-	Bearing Housing Lock Pin	Steel	269285001	269285001	269285001	000
X	X	-	Bearing Cover Screws	Steel	2609992	2609992	2610024	509
X	X	-	Oil Lube Breather	Steel	2657327	2657327	2657327	000

① Quantity of 12 required per pump without Lantern Rings (item 29), quantity of 10 required per pump with Lantern rings.

② Optional material for All Iron or Stainless Steel Fitted pumps.

③ Optional material steel for All Iron Pumps, material code no. 056

Subject to change without notice

**HORIZONTAL SPLIT CASE PUMPS SINGLE STAGE
DOUBLE SUCTION Types AE, AEF**



Peerless Pump Company, LLC
Indianapolis, IN 46207-7026

AE, AEF REPAIR PARTS SELECTION TABLE E

Mech. Seal Type	Packed Type	Item No	Part Description	Material Description	Rotor Series			Code No
					D Part No.	E Part No.	F Part No.	
	X	13	Packing Ring ①	Graphited/TFE	269249404	269249405	2664404	676
X	X	14B	Shaft Sleeve "O"-Ring	Rubber	2694644	2687278	2659137	116
X	X	16	Inboard Ball Bearing	Steel Assembly	1104457	2612312	2612313	000
	X	17	Packing Gland	Bronze	2692495	2692790	2691630	024
	X	17	Packing Gland	316 Stainless Steel ②	2693713	2693714	-	086
	X	17A	Packing Gland Screw	Stainless Steel	2609991	2609991	2609991	079
	X	17AA	Packing Gland Screw Nut	Stainless Steel	2609810	2609810	2609810	079
X		17	Mechanical Seal Flange	Cast Iron	2693015	2693016	R.F.	040
X	X	17B	Gland Bolt	Steel	2692519	55 49	55 49	056
X		17C	Mechanical Seal Flange "O"-Ring	Rubber	2611897	2659042	R.F.	116
X	X	17D	Gland Bolt Nut	Stainless Steel	2609815	2609815	2609815	291
X		17E	Mechanical Seal Flange Washer	Steel	2610421	2610421	R.F.	056
X	X	18	Outboard Ball Bearing	Steel Assembly	1104452	2612311	1104461	000
X	X	18A	Bearing Retaining Ring	Plated Steel	2612152	2612158	-	057
X	X	18A	Bearing Retaining Ring	Steel	-	-	2612161	056
	X	29	Lantern Ring-Optional	TFE	269249304	269249305	2692567	133
X	X	31	Inboard Bearing Housing	Cast Iron	2692461	2692758	2693437	040
X	X	33	Outboard Bearing Housing	Cast Iron	2692461	2692758	2693437	040
X	X	35	Inboard Bearing Housing Cover	Cast Iron	2692462	2692757	2693436	040
X	X	37	Outboard Bearing Housing Cover	Cast Iron	2692462	2692757	2693436	040
X	X	40A	Inboard Deflector	Rubber	2675923	2692799	2693578	118
X	X	40B	Outboard Deflector	Rubber	2675923	2675924	2692799	118
X	X	46	Coupling Key	Steel	V2378A	V2378A11	V2380A16	064
X	X	47	Inboard Bearing Cover Seal	Rubber/Steel	2692505	2693490	2693575	000
	X	63	Stuffing Box Bushing	Bronze ③	269249204	269249205	2659134	011
X	X	73B	Bearing Cover Gasket	Fiber	2692470	2692759	2693399	176
X		65-80	Mechanical Seal 225° F. Max.	Buna-Rubber/ S.S./Ni-Resist	2693666	2693601	R.F.	000
X		80A	Shaft Collar	Stainless Steel	269368704	269368705	R.F.	079
X		80B	Shaft Collar Set Screw	Stainless Steel	2610689	2610691	R.F.	079
X	X	123	Bearing End Cover	Steel	2692500	2692791	2692791	056
X	X	125	Oil Reservoir-Optional	Plastic/Die Cast Alum/Zinc	2657326	2657326	2657326	000
	X	127	Water Seal Pipe Fitting	Brass	2611214	2611214	2611214	007
X		127	Seal Flush Pipe Fitting	Brass	2611213	2611213	2611213	007
	X	127A	Water Seal Pipe Tee	Brass	2692546	2692546	2692546	007
X	X	169	Bearing Housing Seal	Rubber/Steel	2692506	2692888	2693576	000
X	X	-	Csg Ring Dowel Pin	Brass	2651540	2651540	2651540	007
X	X	-	Bearing Housing Lock Pin	Steel	269285001	269285001	269285001	000
X	X	-	Bearing Cover Screws	Steel	2610024	2610022	2610025	509
X	X	-	Oil Lube Breather	Steel	2657327	2657327	2657327	000

① Quantity of 12 required per pump without Lantern Rings (item 29), quantity of 10 required per pump with Lantern rings.

② Optional material for All Iron or Stainless Steel Fitted pumps.

③ Optional material steel for All Iron Pumps, material code no. 056

R.F. = Refer to the factory *Subject to change without notice*



**HORIZONTAL SPLIT CASE PUMPS SINGLE
STAGE DOUBLE SUCTION
Types AE, AEF
AE, AEF REPAIR PARTS SELECTION TABLE F
DOUBLE ROW THRUST BEARING**

ITEM NO.		6				18	22	18A	33
ROTOR SERIES	PART DESCRIPTION & MATERIAL or CODE NO	R.H. SHAFT	L.H. SHAFT	STANDARD MATERIAL	OPTIONAL MATERIAL	OUTBOARD BALL BEARING - ASSEMBLY	BEARING LOCK NUT - STEEL	BEARING LOCK WASHER - STEEL	OUTBOARD BEARING HOUSING - CAST IRON
				Steel	416 S.S.	Code No 000	Code No. 056	Code No.056	Code No.040
				Pump Model	Part No.	Part No	Code No.	Code No.	Part No.
A	2AE11	2695410	2695411	076	306	2696033	2609961	2610353	2695395
B	3AE9	2695412	2695413	076	306	2696034	2609962	2610354	2695396
B	3AE9G	2695412	2695413	076	306	2696034	2609962	2610354	2695396
A	3AE14,G	2695410	2695411	076	306	2696033	2609961	2610353	2695395
B	4AE10	2695412	2695413	076	306	2696034	2609962	2610354	2695396
B	4AE10,G	2695412	2695413	076	306	2696034	2609962	2610354	2695396
A	4AE11	2695410	2695411	076	306	2696033	2609961	2610353	2695395
A	4AE11G	2695410	2695411	076	306	2696033	2609961	2610353	2695395
B	4AE12	2695412	2695413	076	306	2696034	2609962	2610354	2695396
B	5AE8	2695414	2695415	076	306	2696034	2609962	2610354	2695396
B	5AE8N	2695414	2695415	076	306	2696034	2609962	2610354	2695396
C	5AE11	2695418	2695419	076	306	1104510	2609963	2610355	2695397
C	5AE11G	2695418	2695419	076	306	1104510	2609963	2610355	2695397
C	5AE12	2695418	2695419	076	306	1104510	2609963	2610355	2695397
B	5AE14	2695416	2695417	076	306	2696034	2609962	2610354	2695396
B	5AE14G	2695416	2695417	076	306	2696034	2609962	2610354	2695396
B	5AE14N	2695416	2695417	076	306	2696034	2609962	2610354	2695396
C	6AEF10	2695418	2695419	076	306	1104510	2609963	2610355	2695397
A	6AE11	2695410	2695411	076	306	2696033	2609961	2610353	2695395
D	6AE12	2695426	2695427	076	306	1104512	2609964	2610356	2695398
C	6AE14	2695420	2695421	076	306	1104510	2609963	2610355	2695397
C	6AE14G	2695420	2695421	076	306	1104510	2609963	2610355	2695397
C	6AEF14Q ①	2695420	2695421	076	306	1104510	2609963	2610355	2695397
C	6AE16	2695422	2695423	076	306	1104510	2609963	2610355	2695397
C	6AE16G	2695422	2695423	076	306	1104510	2609963	2610355	2695397
C	6AE16N	2695422	2695423	076	306	1104510	2609963	2610355	2695397
C	6AE16V	2695422	2695423	076	306	1104510	2609963	2610355	2695397
D	6AE18	2695428	2695429	076	306	1104512	2609964	2610356	2695398
C	8AE12	2695418	2695419	076	306	1104510	2609963	2610355	2695397
C	8AE13	2695424	2695425	076	306	1104510	2609963	2610355	2695397
D	8AE15, 8AEF15A ①	2695426	2695427	076	306	1104512	2609964	2610356	2695398
D	8AE15G	2695426	2695427	076	306	1104512	2609964	2610356	2695398
D	8AE17	2695428	2695429	076	306	1104512	2609964	2610356	2695398
D	8AE17N	2695428	2695429	076	306	1104512	2609964	2610356	2695398
D	8AE17V	2695428	2695429	076	306	1104512	2609964	2610356	2695398
E	8AE20	2695432	2695433	076	306	1104516	2609966	2610358	2695399
E	8AE20G	2695432	2695433	076	306	1104516	2609966	2610358	2695399
D	10AE12	R.F.	R.F.	076	306	1104512	2609964	2610356	2695399
E	10AE14	2695432	2695433	076	306	1104516	2609966	2610358	2695399
E	10AE14G	2695432	2695433	076	306	1104516	2609966	2610358	2695399
E	10AE16	2695432	2695433	076	306	1104516	2609966	2610358	2695399
F	10AE20	2696024	2696025	076	306	2612295	2609967	2610359	2695990

① Outboard double row ball bearings are standard on 6AEF14Q and 8AEF15A pumps

Subject to change without notice

BLANK